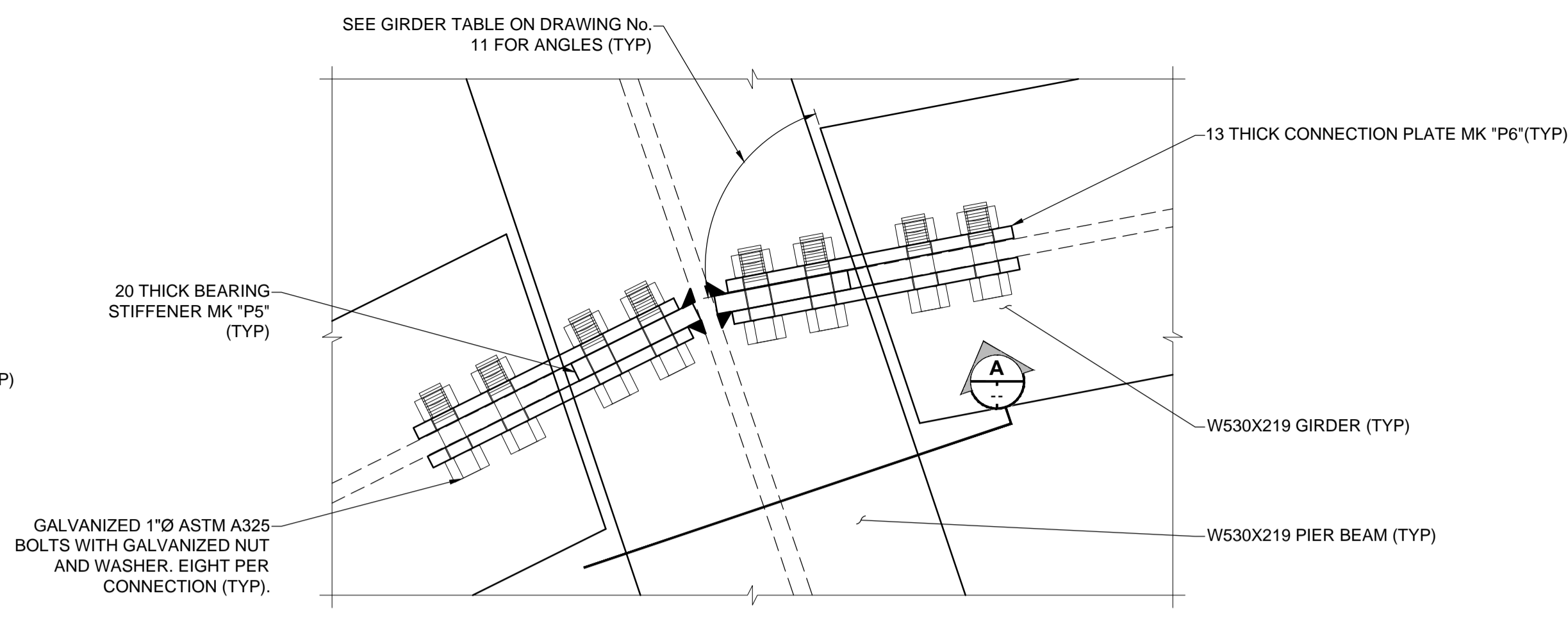
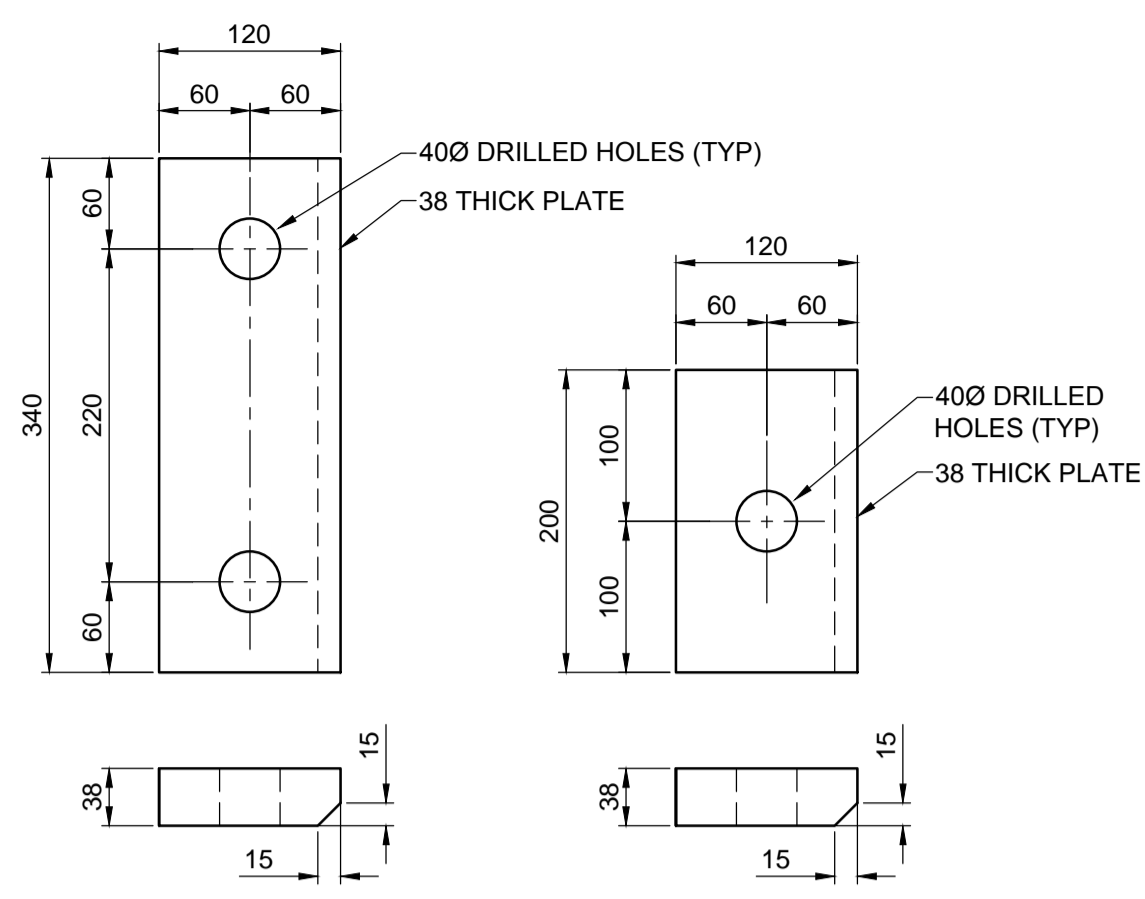


1 **DETAIL - GIRDER TO PIER BEAM AND PIER BEAM TO PILE CONNECTION**
SCALE: 1:20

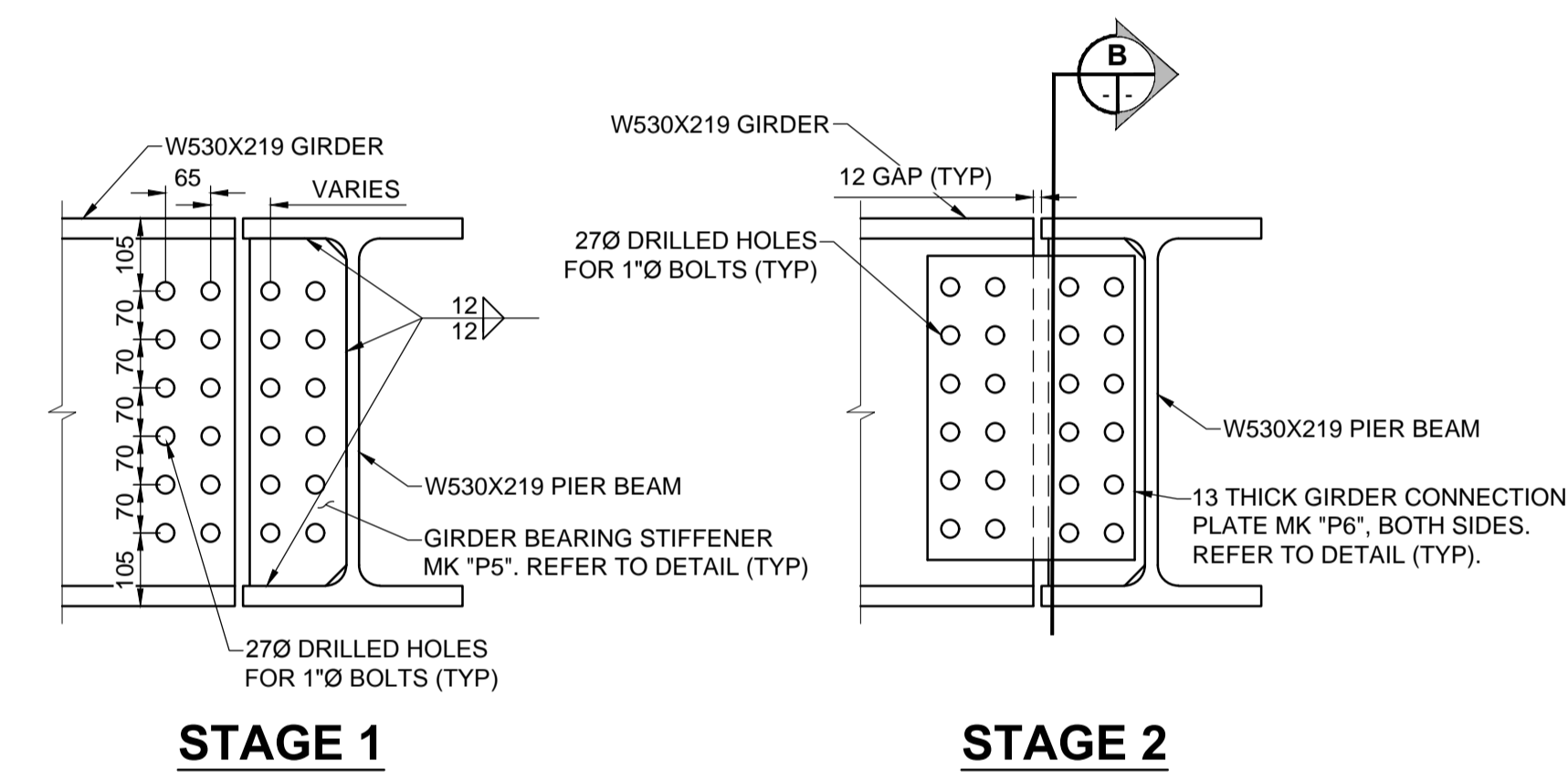


2 **DETAIL - GIRDER TO PIER BEAM CONNECTION**
SCALE: 1:5

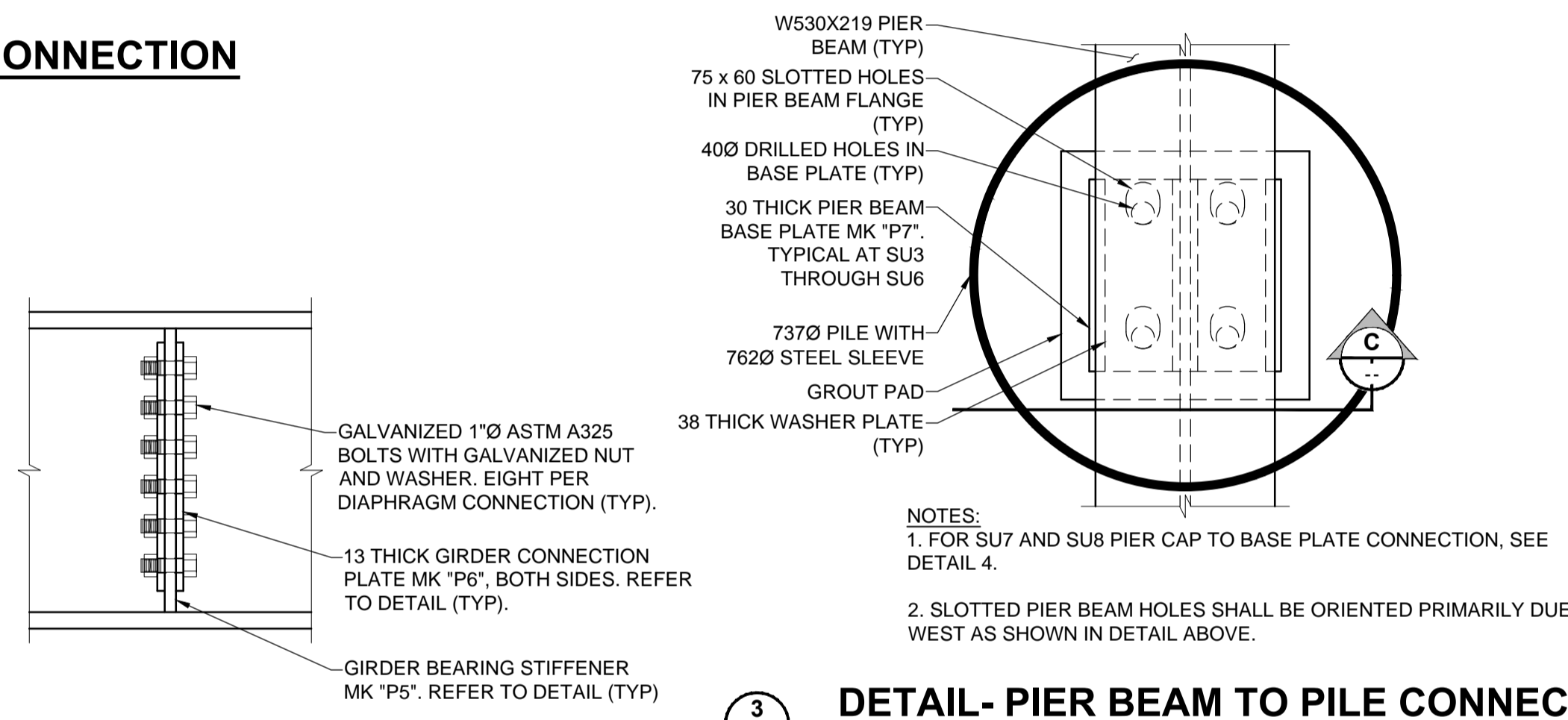


WASHER PLATES MK "W1" & "W2"
SCALE: 1:5

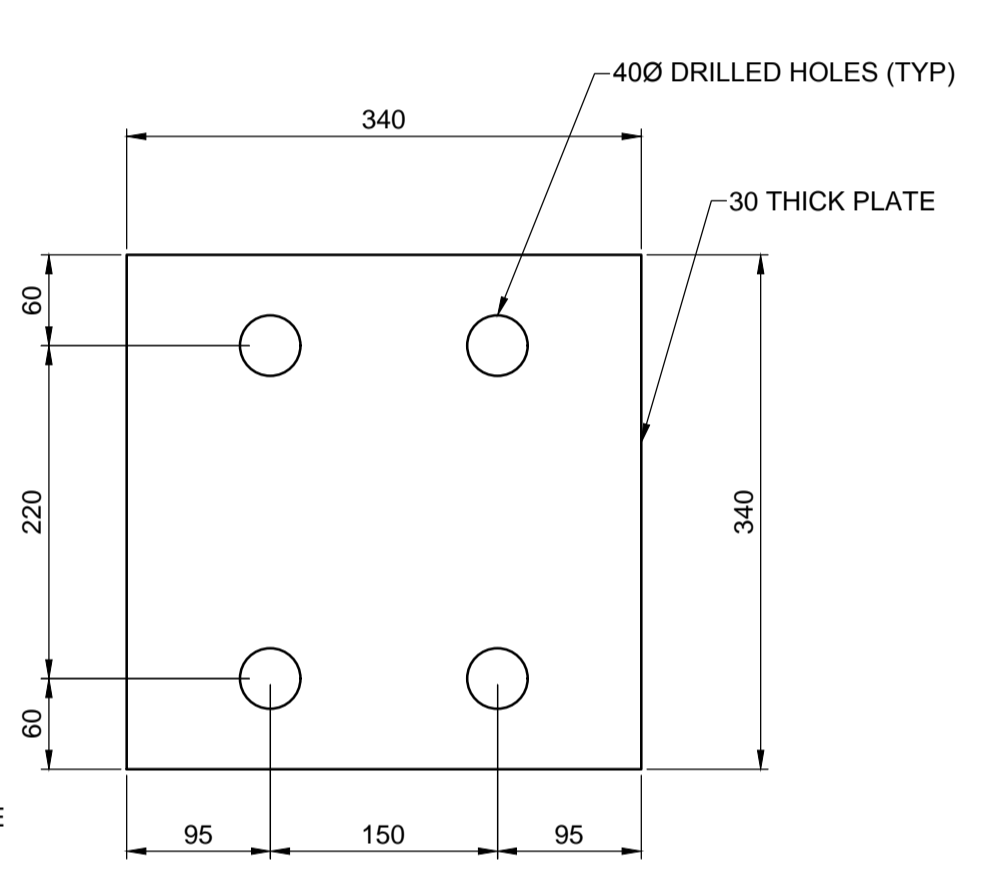
PIER BEAM DETAILS		
LOCATION	PIER BEAM LENGTH "X" (MM)	PIER BEAM CL OFFSET FROM BCL 1
SU3	2130	+195
SU4	2430	0
SU5	2000	-227
SU6	2000	-227
SU7	5630	+1485
SU8	5050	+1317



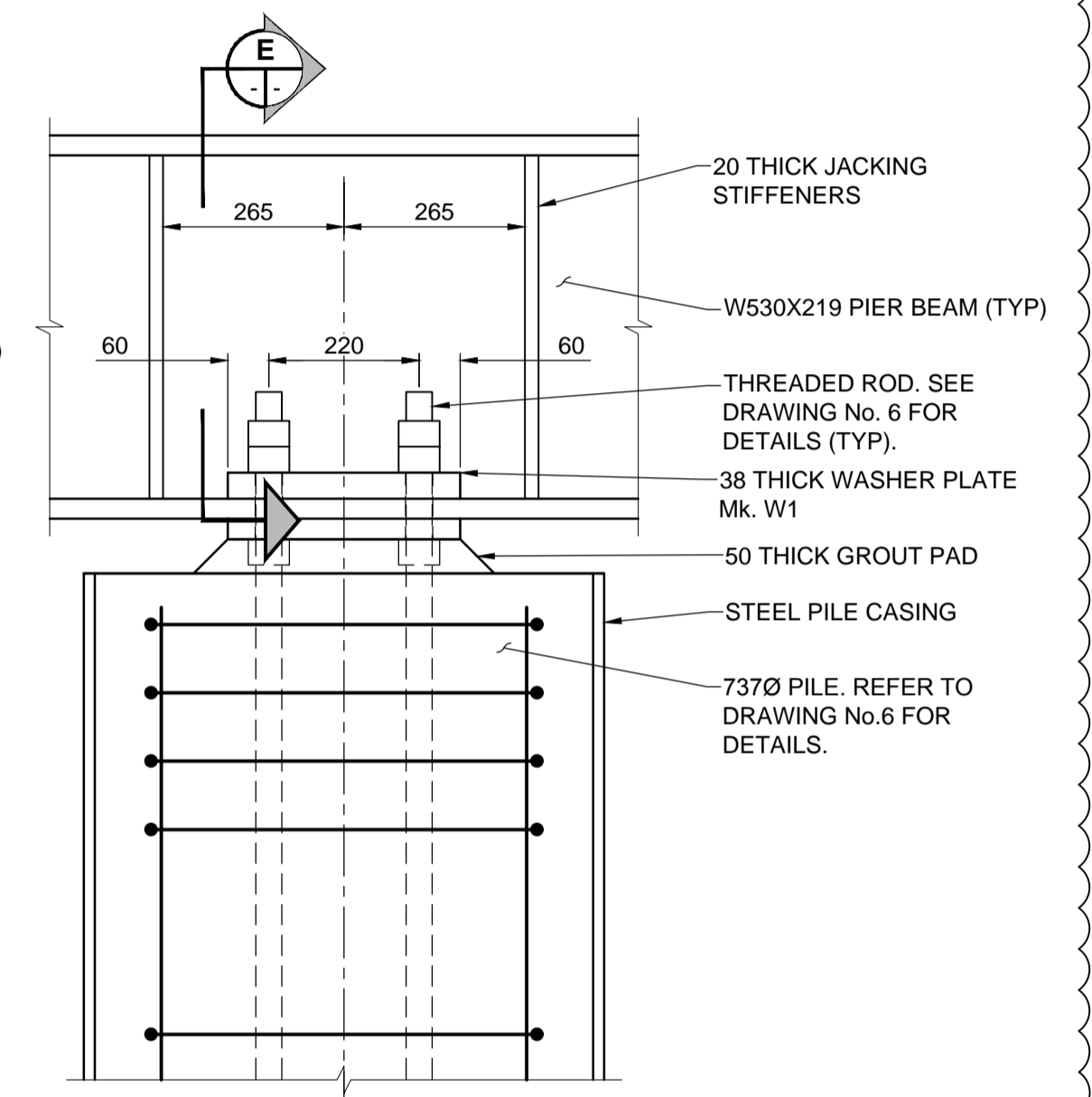
A **SECTION - GIRDER TO PIER BEAM CONNECTION**
SCALE: 1:10



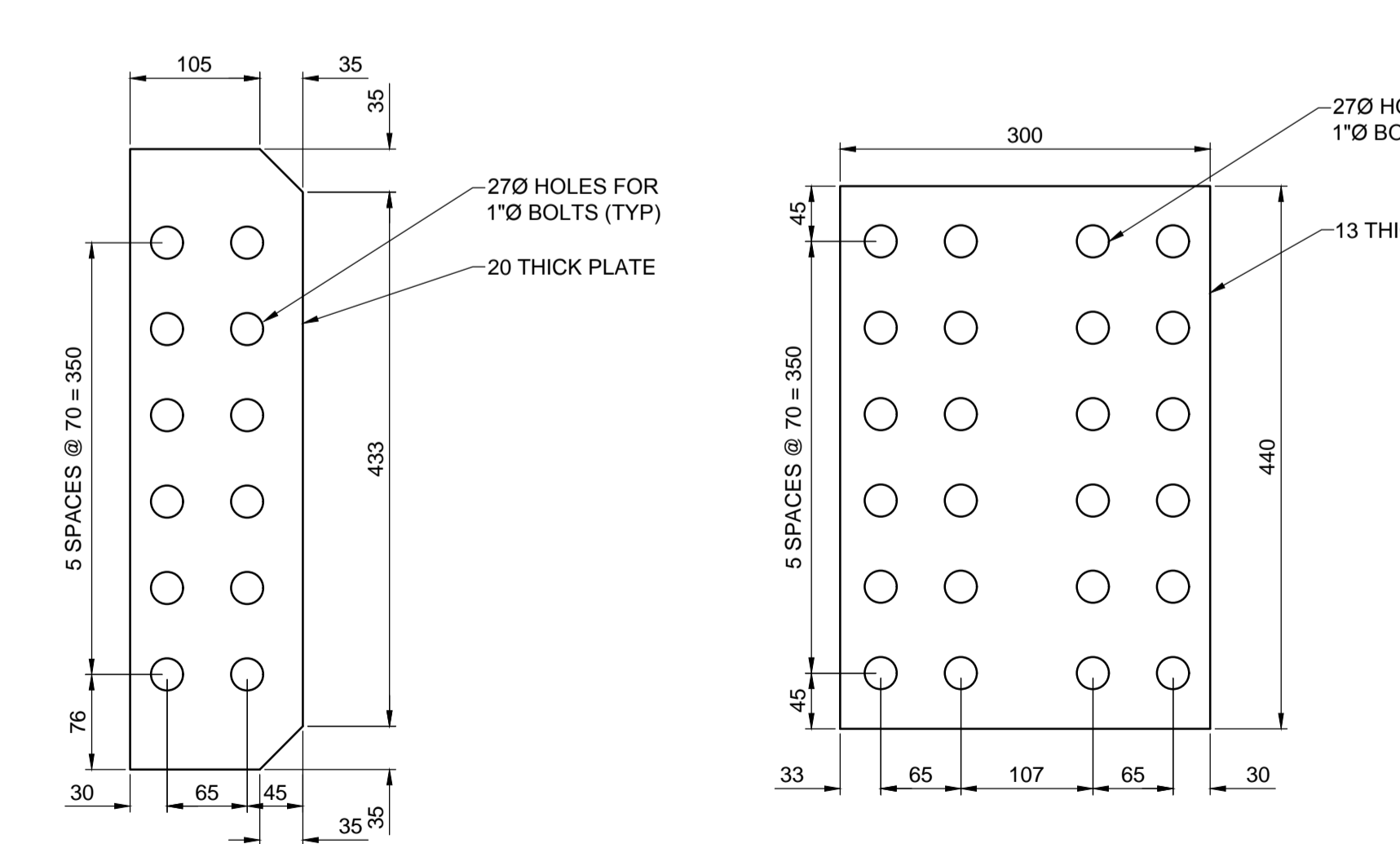
3 **DETAIL - PIER BEAM TO PILE CONNECTION BASE PLATE MK "P7"**
SCALE: 1:10



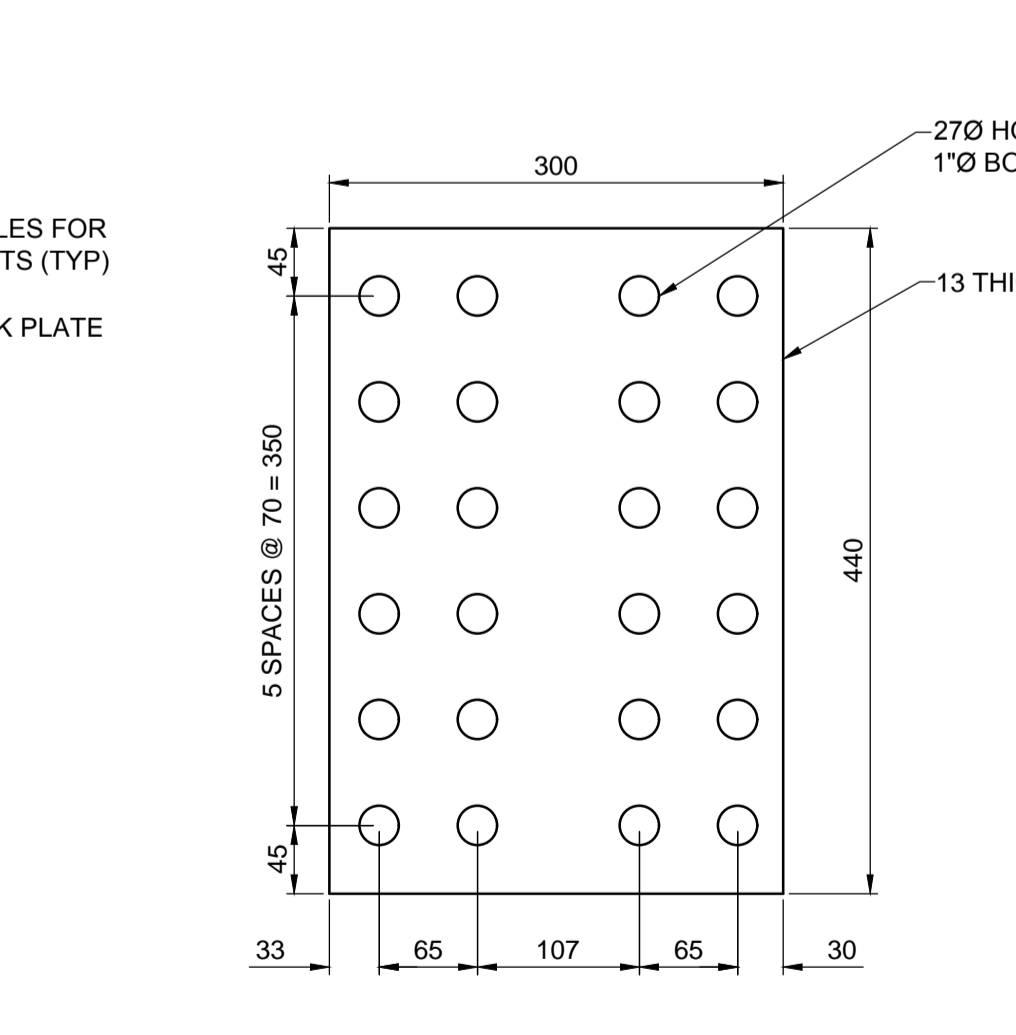
BASE PLATE MK "P7"
SCALE: 1:5



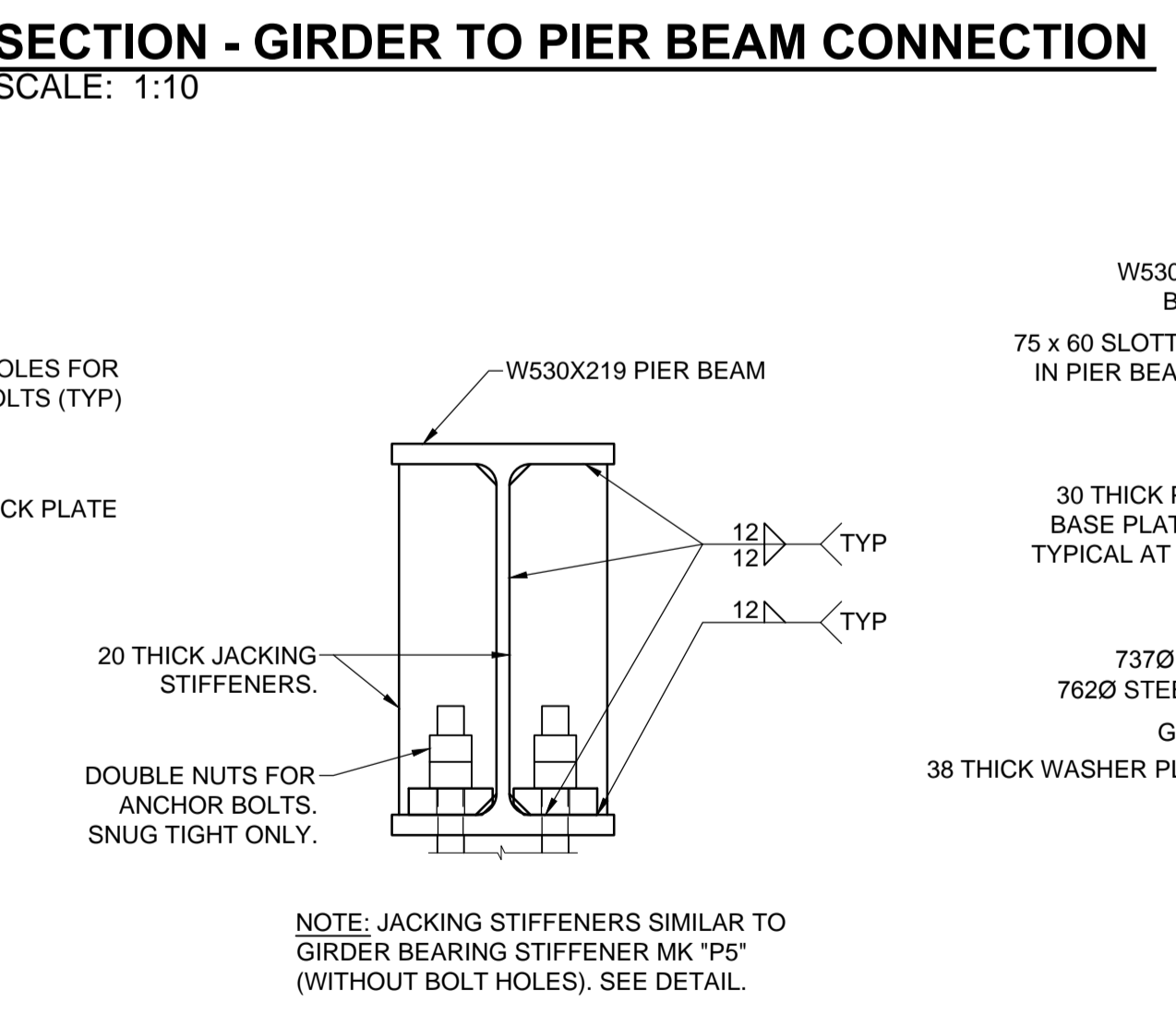
C **SECTION - PIER BEAM TO PILE CONNECTION**
SCALE: 1:10



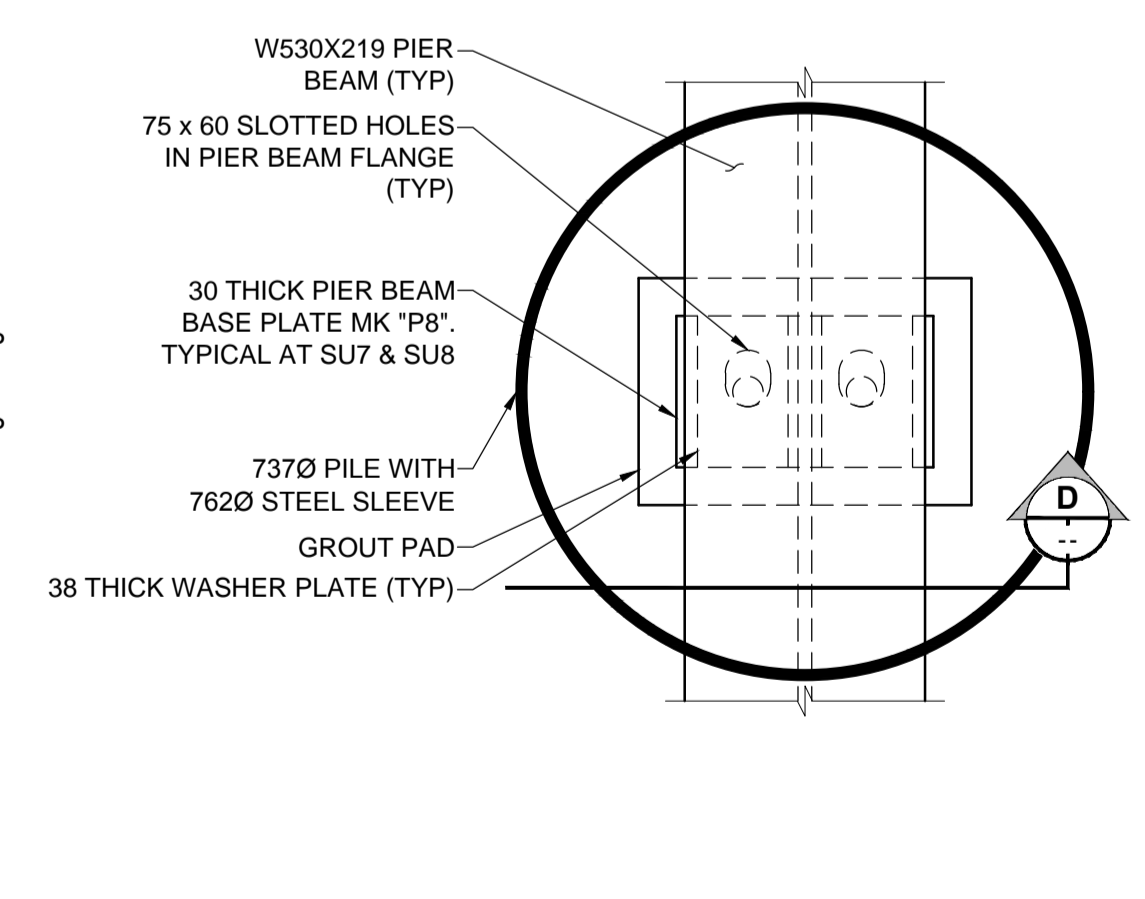
GIRDER BEARING STIFFENER MK "P5"
SCALE: 1:10



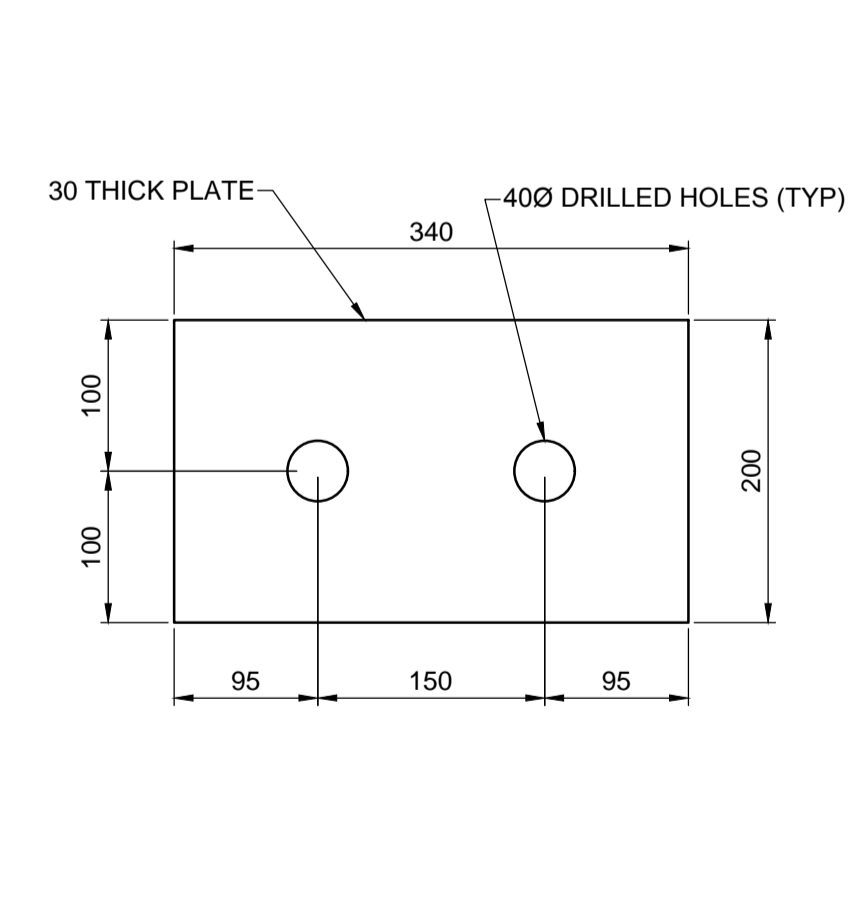
GIRDER CONNECTION PLATE MK "P6"
SCALE: 1:10



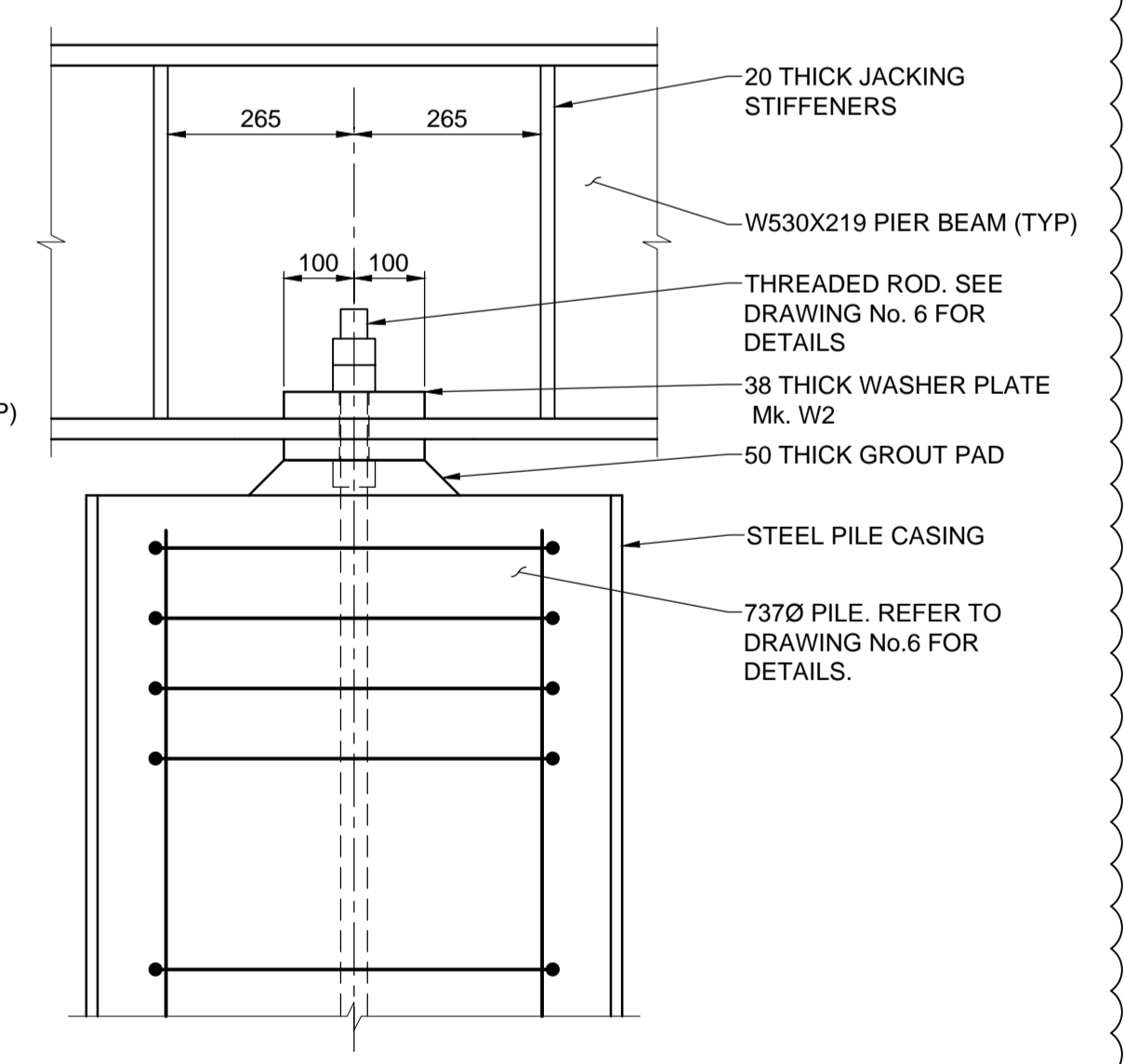
B **SECTION - GIRDER TO PIER BEAM CONNECTION**
SCALE: 1:10



4 **DETAIL - PIER BEAM TO PILE CONNECTION BASE PLATE MK "P8"**
SCALE: 1:10



BASE PLATE MK "P8"
SCALE: 1:5



D **SECTION - PIER BEAM TO PILE CONNECTION**
SCALE: 1:10

E **SECTION - JACKING STIFFENERS**
SCALE: 1:10

LOCATION APPROVED UNDERGROUND STRUCTURES

ENGINEERS GEOSCIENTISTS MANITOBA
Certificate of Authorization
MORRISON HERSHFIELD
No. 1736

METRIC
WHOLE NUMBERS INDICATE MILLIMETRES
DECIMALIZED NUMBERS INDICATE METRES

MORRISON HERSHFIELD

DESIGNED BY: AG
CHECKED BY: AF
DRAWN BY: AG
APPROVED BY: BE

ISSUED FOR ADDENDUM 1: 17/10/27
ISSUED FOR TENDER: 17/10/13

HOR SCALE: AS SHOWN
VERT SCALE: AS SHOWN

RELEASED FOR CONSTRUCTION

CONSULTANT FILE NAME: 5170563 - DD11 - Pier Beam.dwg

THE CITY OF WINNIPEG
PUBLIC WORKS DEPARTMENT
ENGINEERING DIVISION

TACHE PROMENADE TREETOP LOOKOUT

PIER BEAM DETAILS

CITY DRAWING NUMBER: B250-17-37
SHEET 37 OF 70
DRAWING No. 11

DRAWING NOTE: FOR PIER CAP SHEAR STUD INSTALLATION, SEE DRAWING No. 12 SECTION