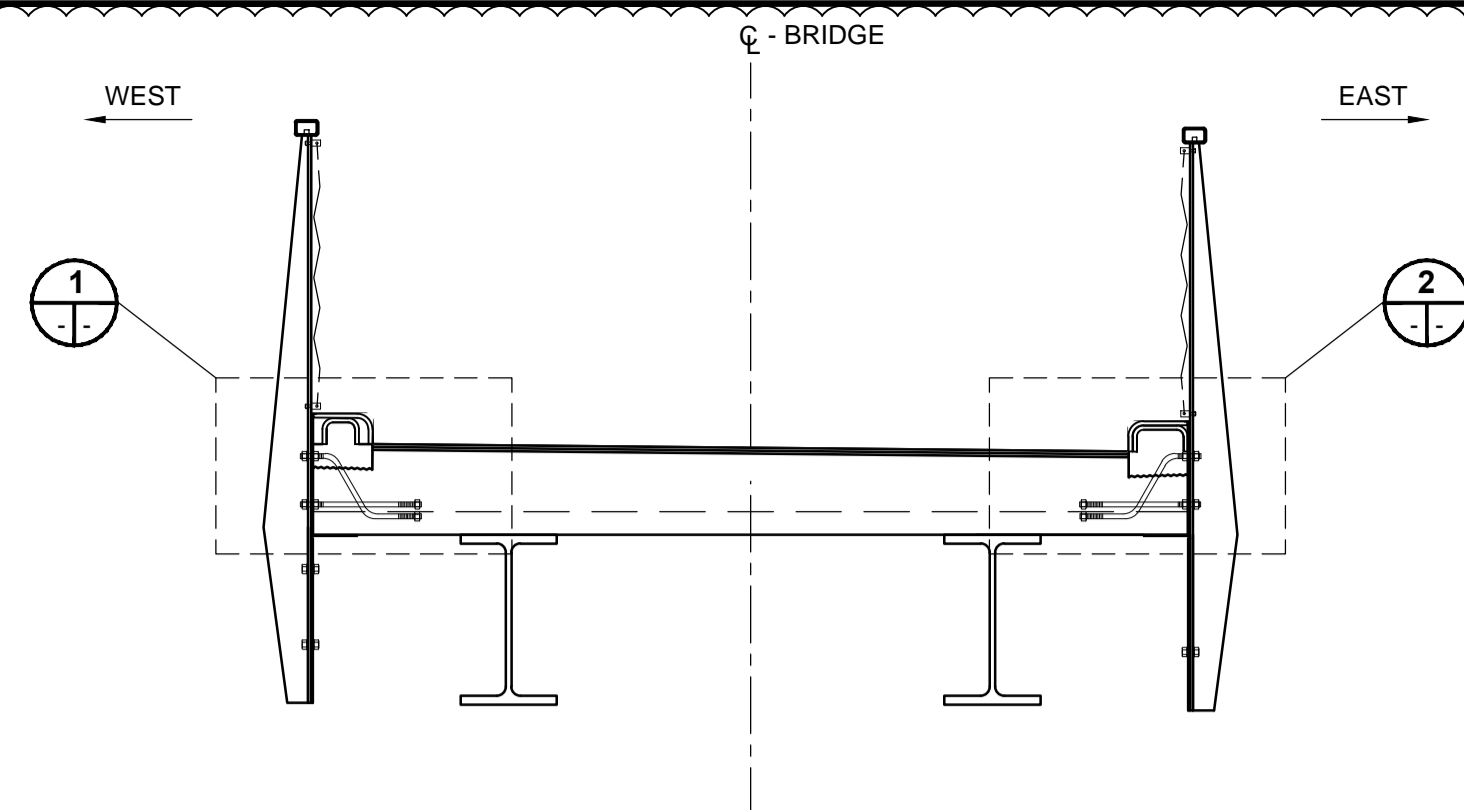
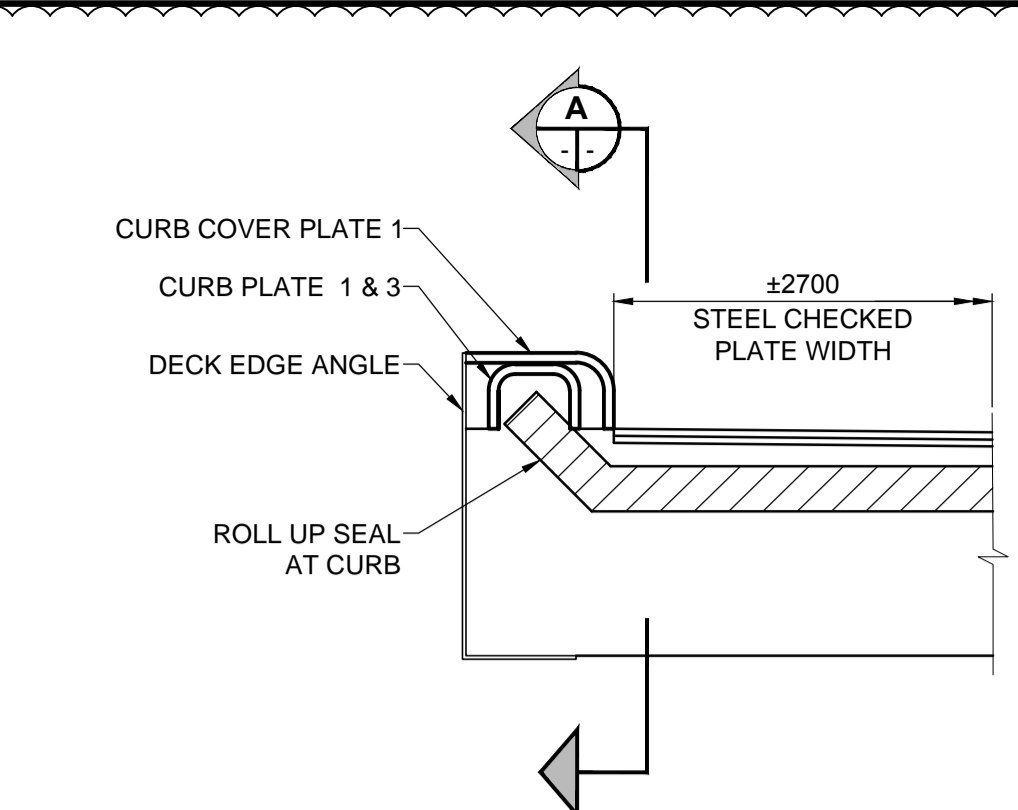


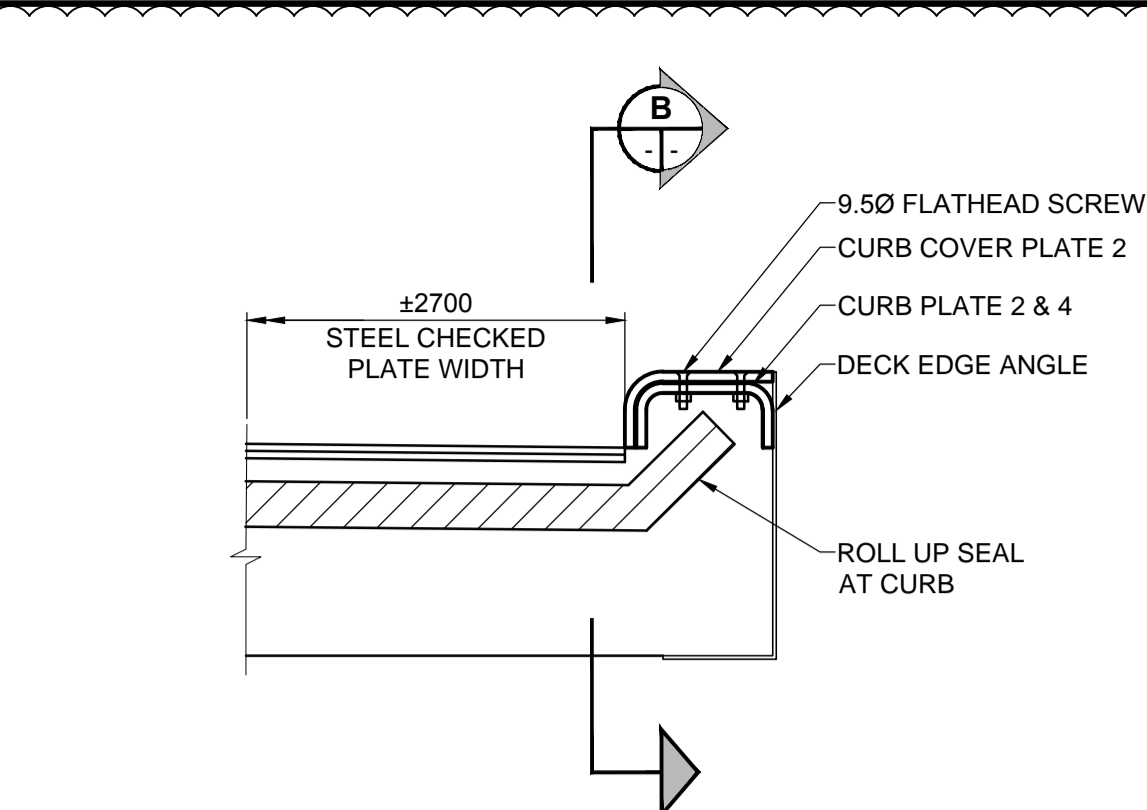
M:\shared\proj\5170563\05\_Drawing\05\_Design\06\_Sheets\Detailed Design\Temp Lookout Structures\170563\_DD19\_DK\_MISC.dwg  
 Last Saved: 10/27/2017 10:15 AM by Andrew Gilaraki  
 Plotted: 10/27/2017 10:15 AM by Andrew Gilaraki  
 ISO A1 - 594mm x 841mm



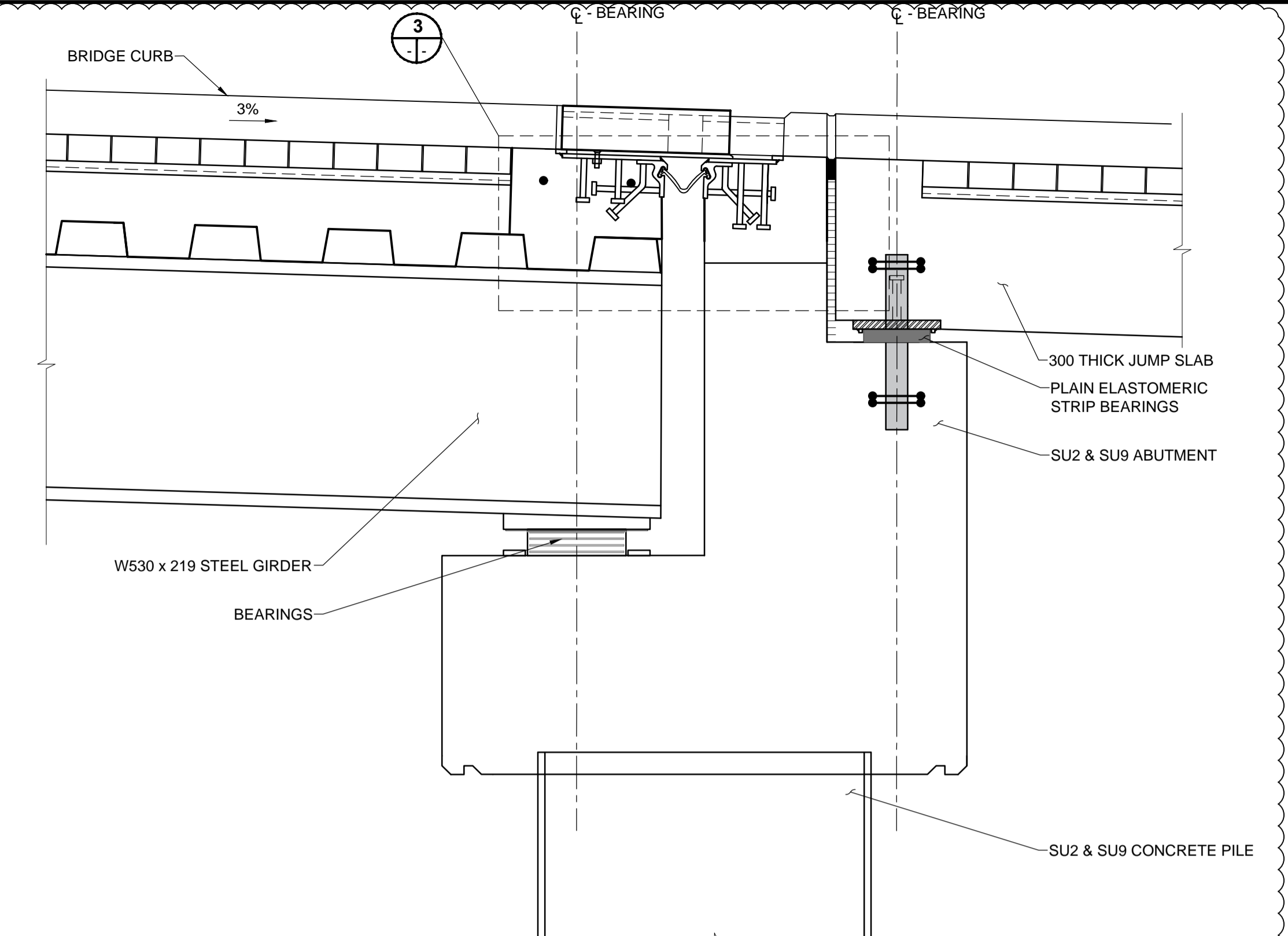
**EXPANSION JOINT CROSS SECTION**  
SCALE: 1:25



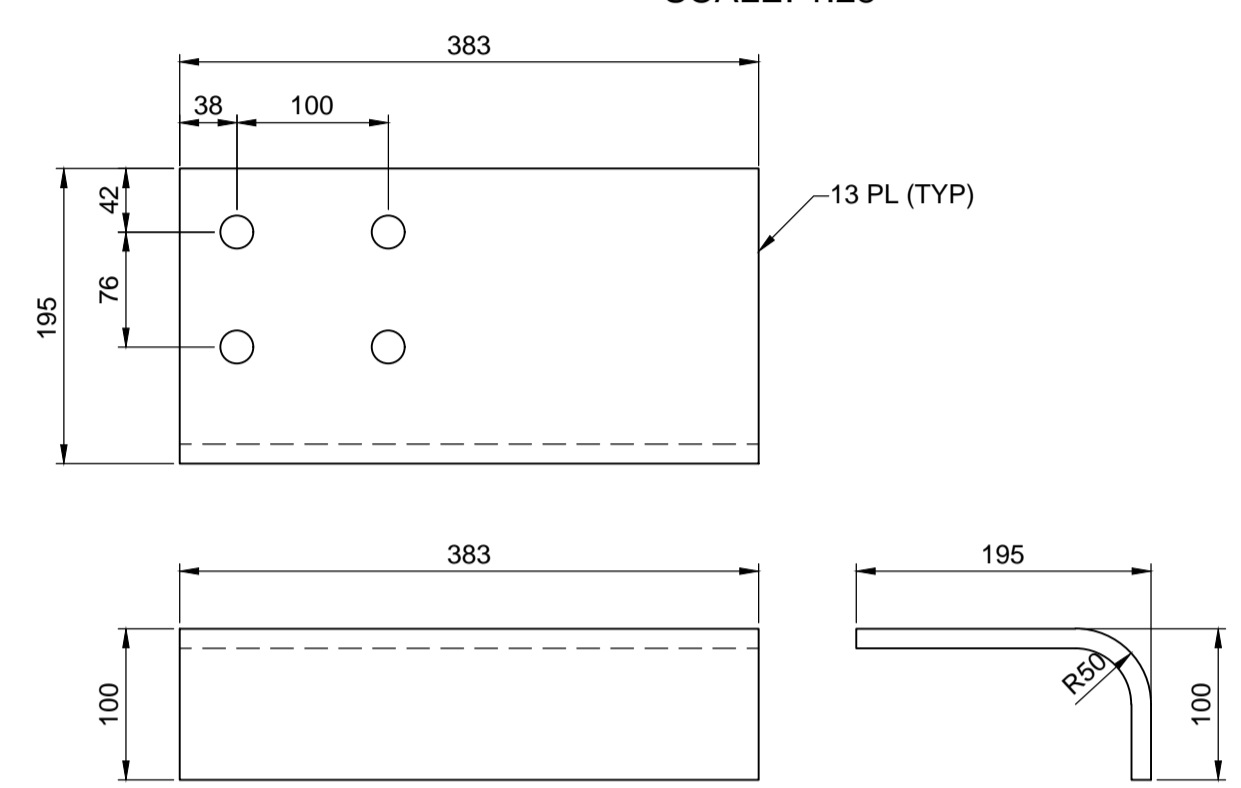
**DETAIL - CURB COVER PLATE**  
SCALE: 1:10



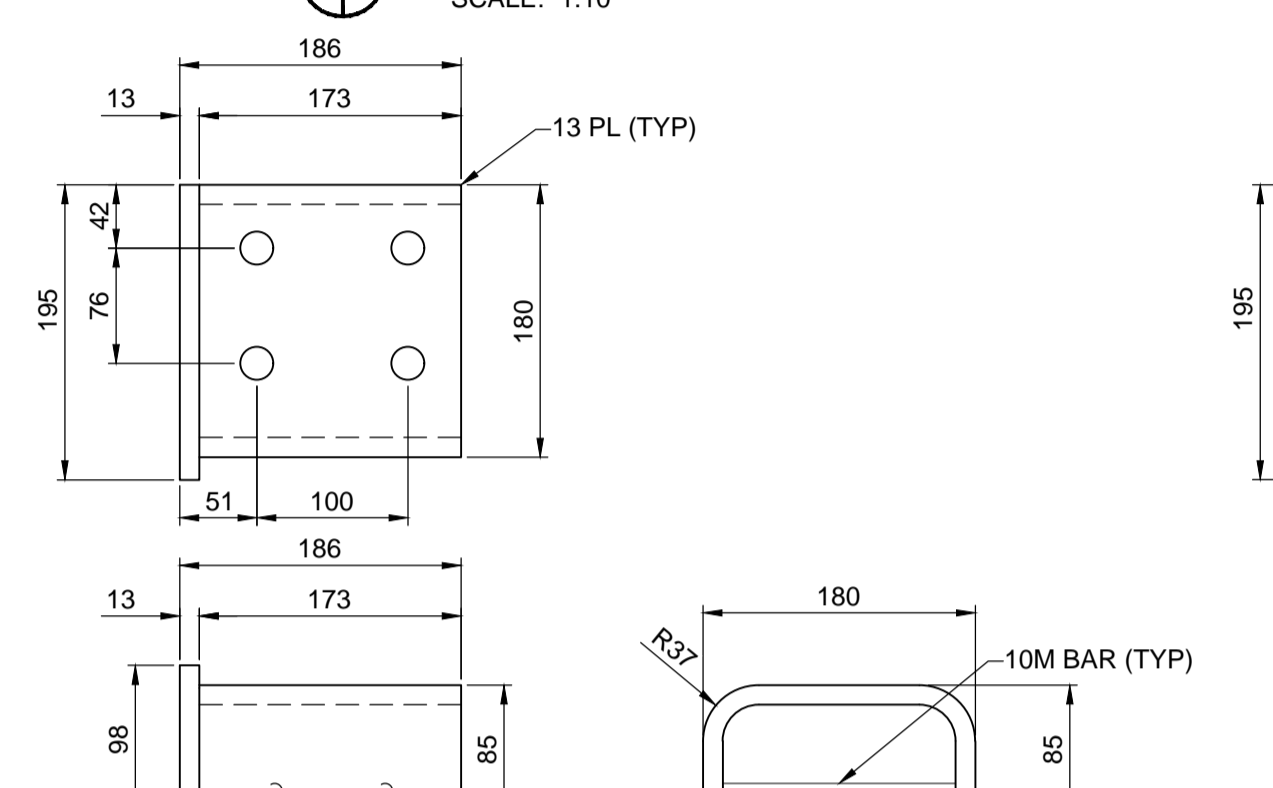
**DETAIL - CURB COVER PLATE**  
SCALE: 1:10



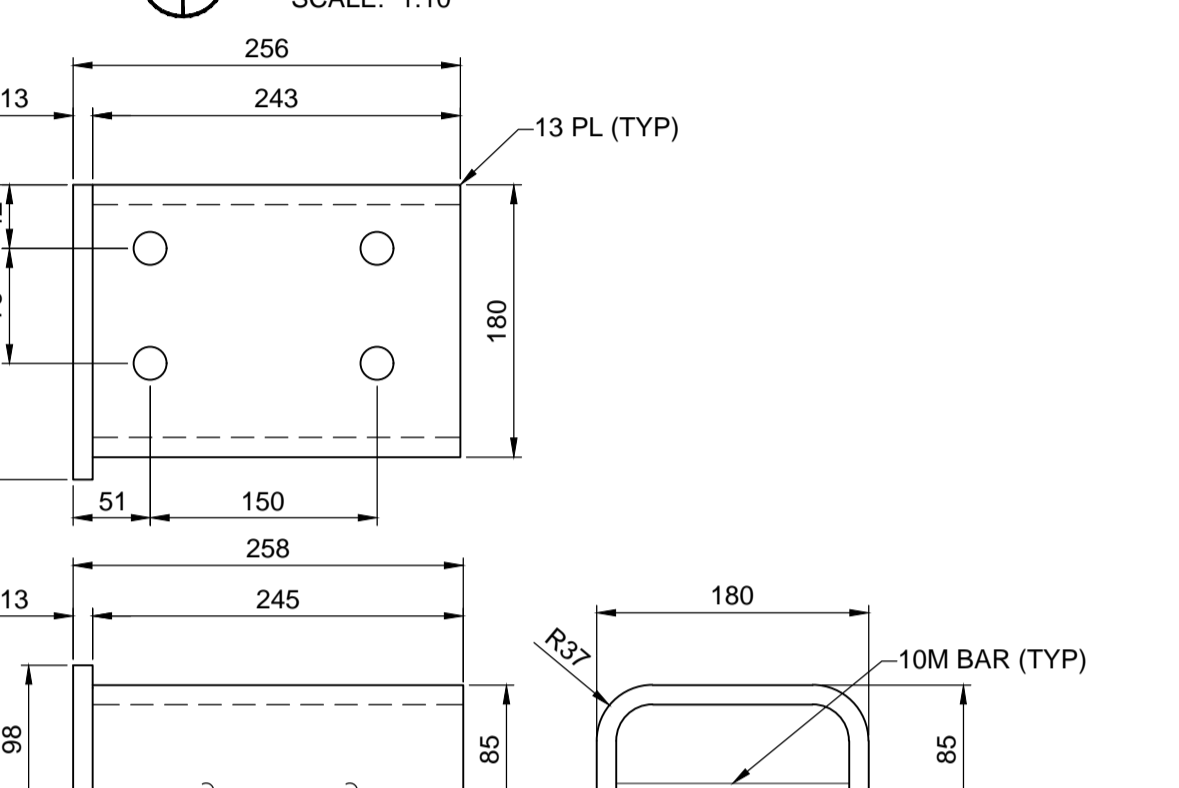
**SECTION - SU2 & SU9**  
SCALE: 1:10



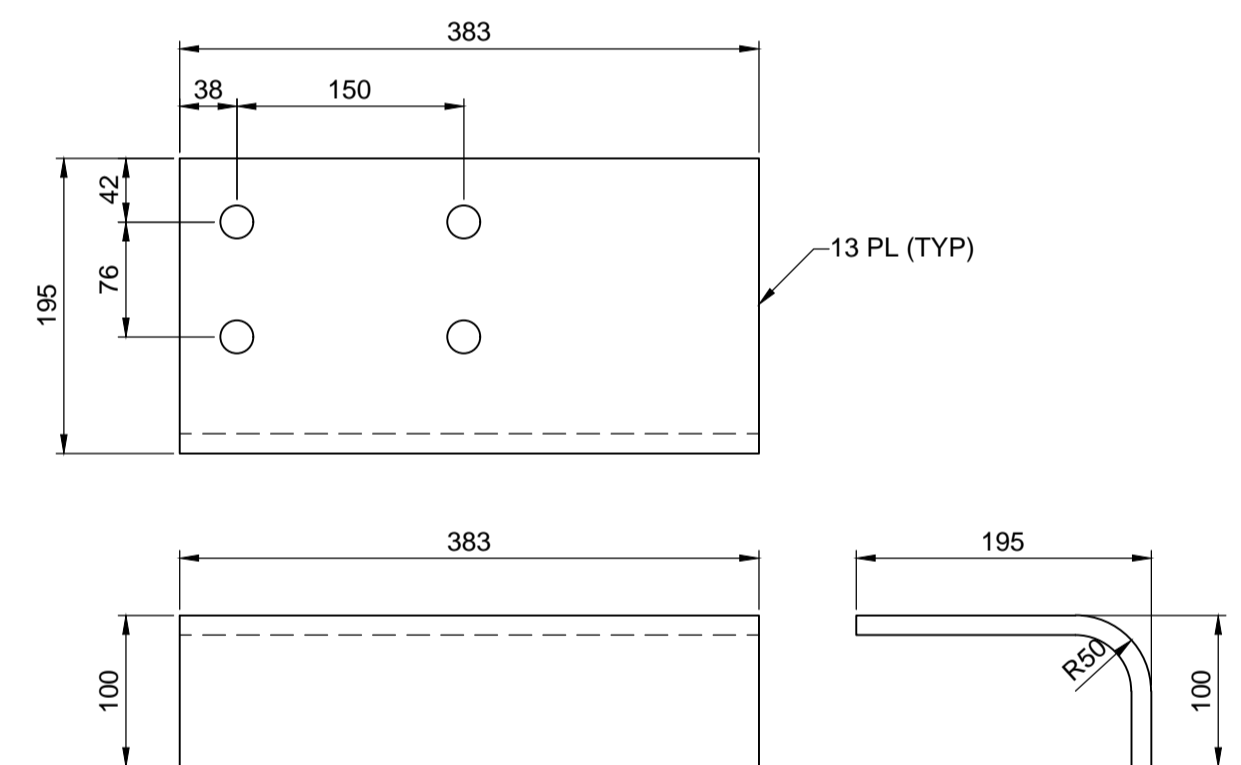
**CURB COVER PLATE 1**  
SCALE: 1:5  
(2 AS SHOWN)



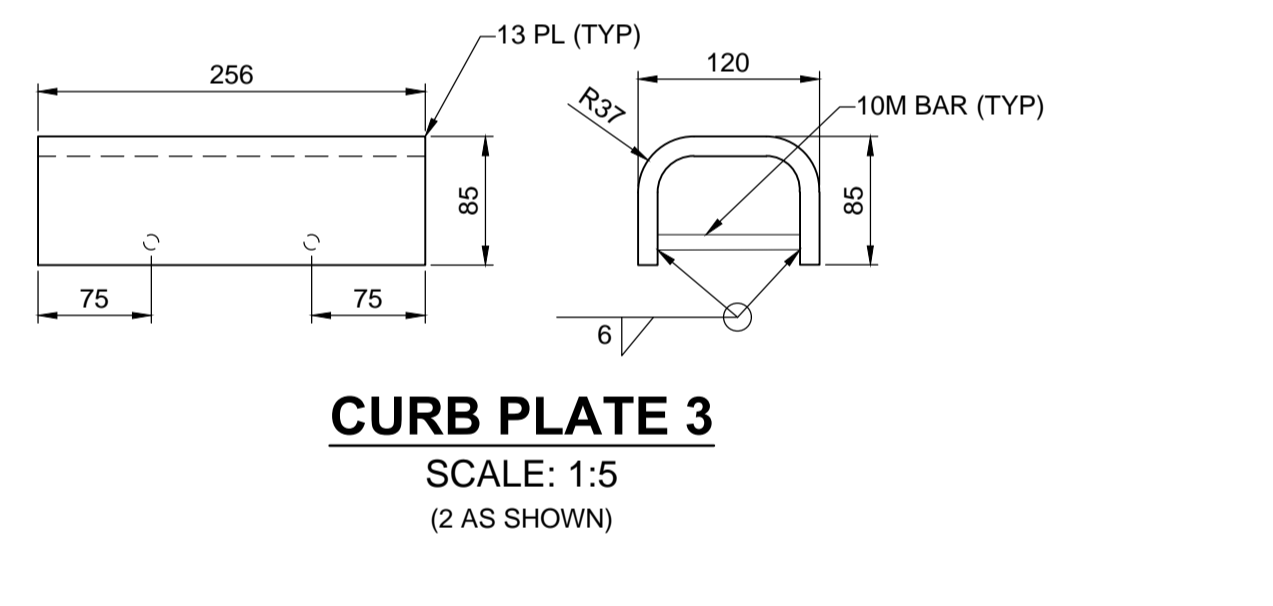
**CURB PLATE 1**  
SCALE: 1:5  
(2 AS SHOWN)



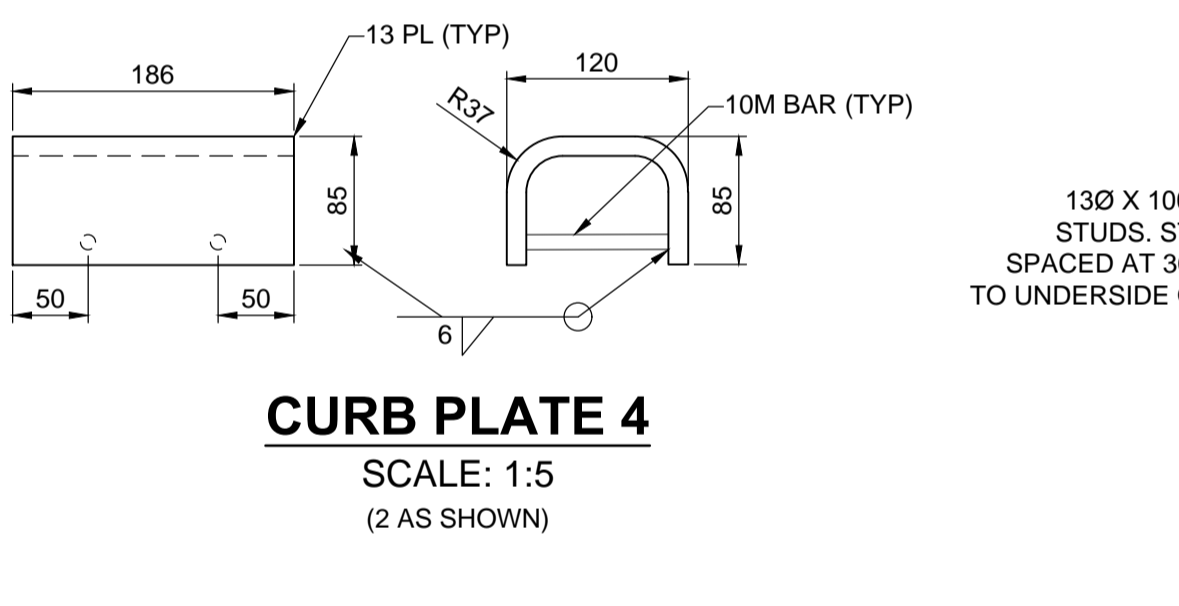
**CURB PLATE 2**  
SCALE: 1:5  
(2 AS SHOWN)



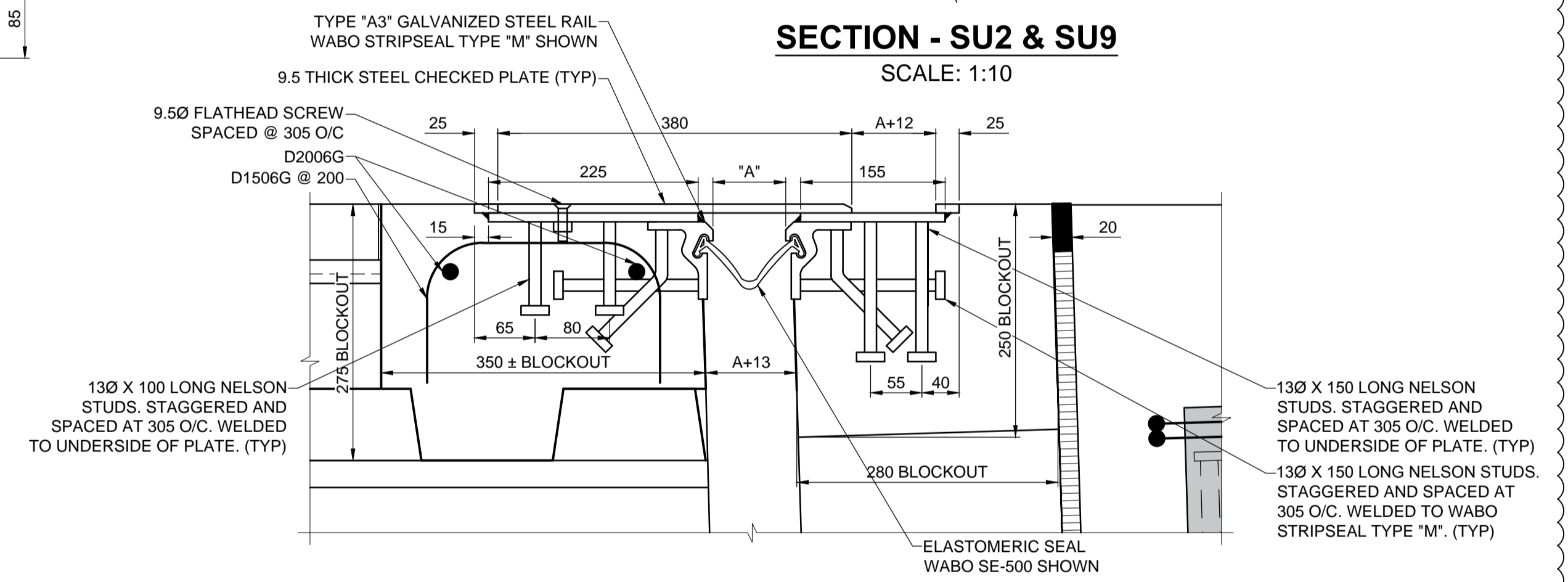
**CURB COVER PLATE 2**  
SCALE: 1:5  
(2 AS SHOWN)



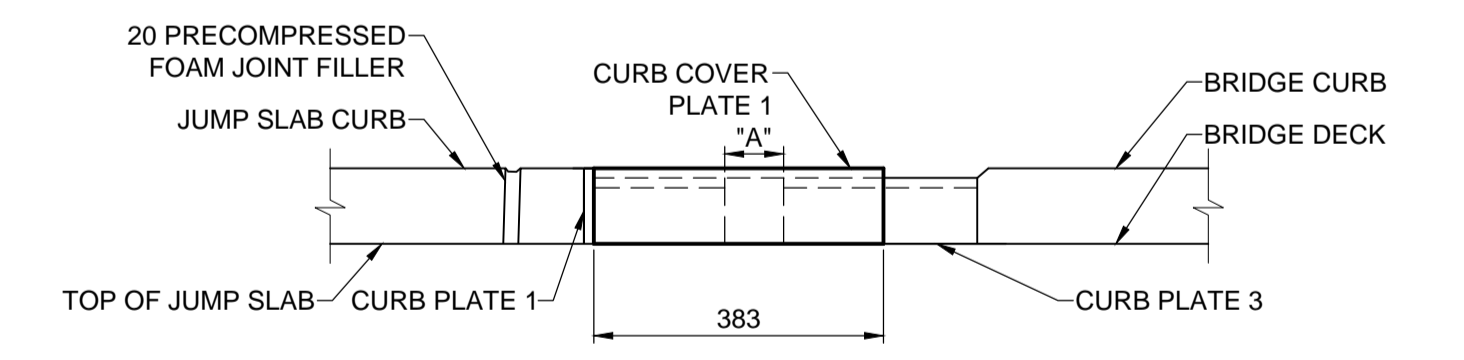
**CURB PLATE 3**  
SCALE: 1:5  
(2 AS SHOWN)



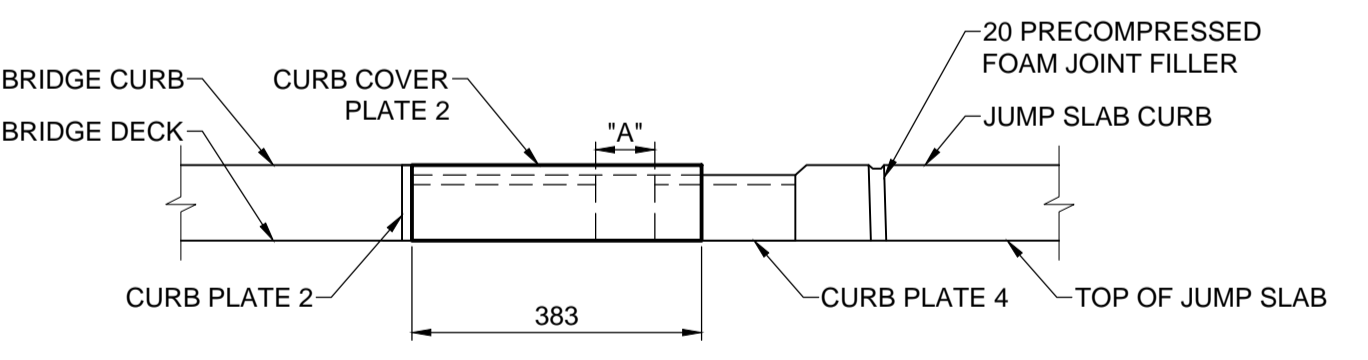
**CURB PLATE 4**  
SCALE: 1:5  
(2 AS SHOWN)



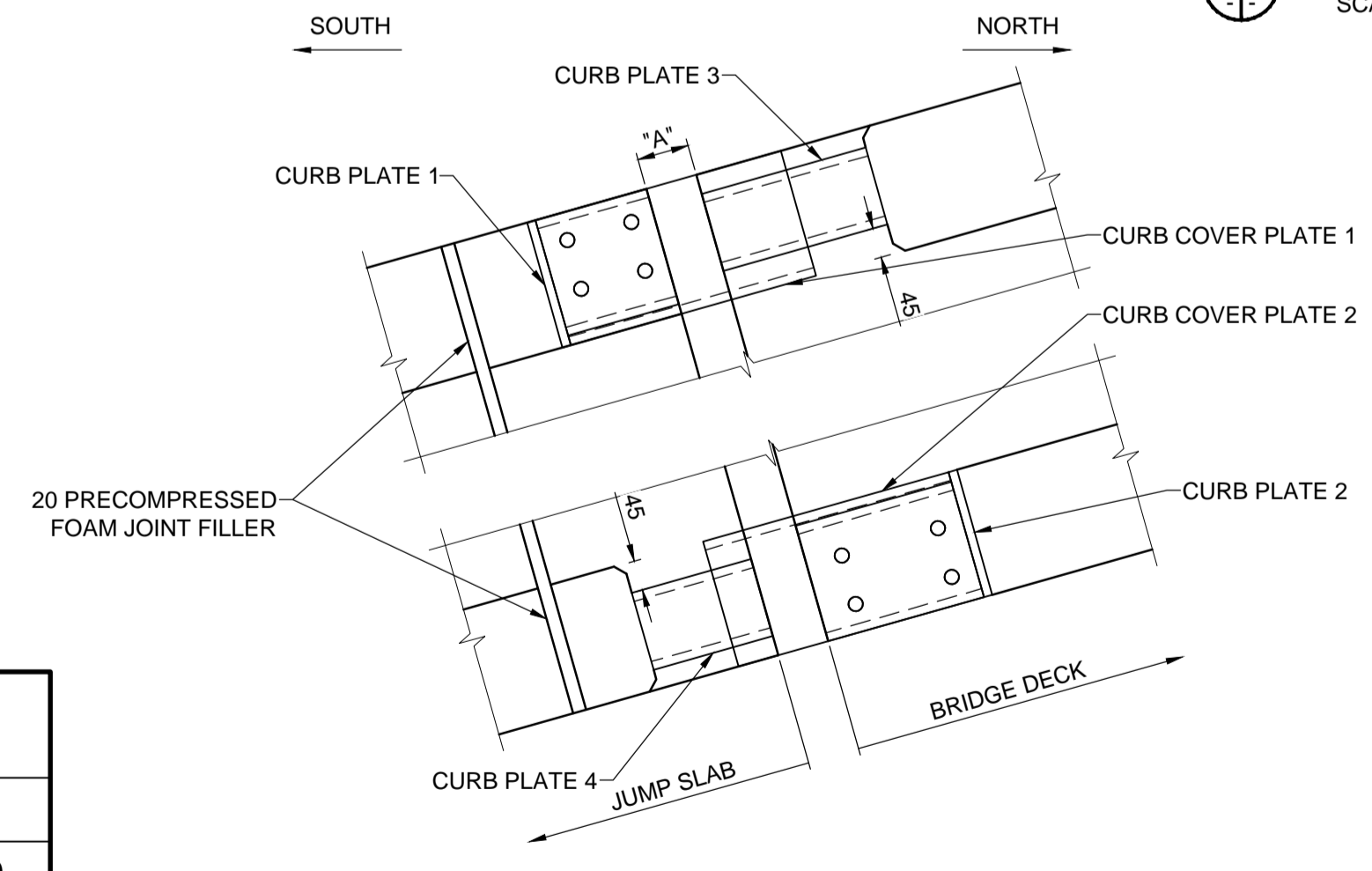
**DETAIL - EXPANSION JOINT**  
SCALE: 1:10



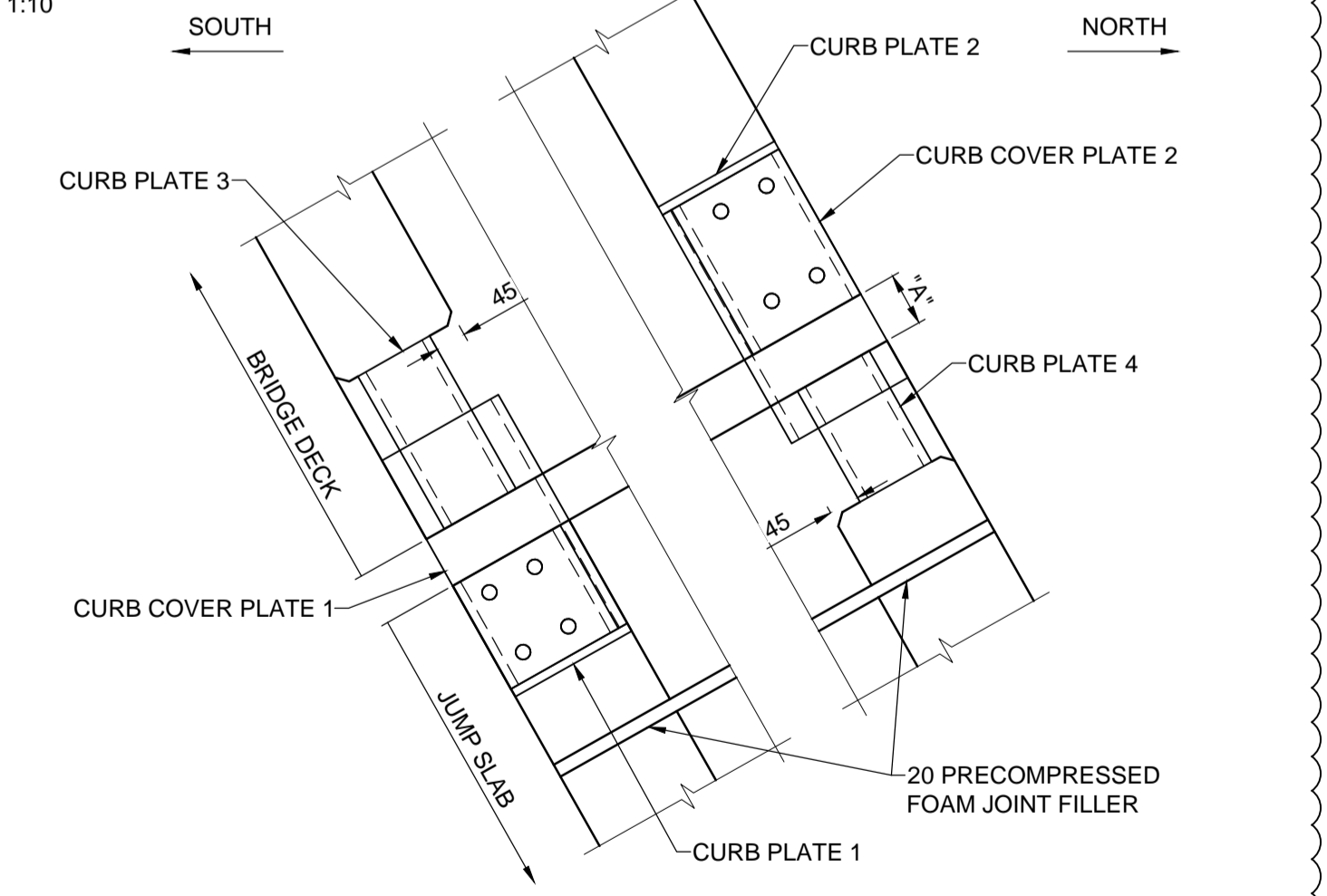
**SECTION - CURB JOINT**  
SCALE: 1:10 (SU2 SHOWN, SU9 SIMILAR)



**SECTION - CURB JOINT**  
SCALE: 1:10 (SU2 SHOWN, SU9 SIMILAR)



**EXPANSION JOINT PLAN VIEW (SU2)**  
SCALE: 1:10



**EXPANSION JOINT PLAN VIEW (SU9)**  
SCALE: 1:10

**TEMPERATURE ADJUSTMENT TABLE SU2**

INSTALLATION TEMPERATURE °C	TEMPERATURE																
	-40	-35	-30	-25	-20	-15	-10	-5	0	5	10	15	20	25	30	35	40
INSTALLATION GAP WIDTH (A) (SU2)	72	69	66	64	61	58	55	53	50	47	45	42	39	37	34	31	28
INSTALLATION GAP WIDTH (A) (SU9)	62	60	59	57	56	54	53	51	50	49	47	46	44	43	41	40	38

MINIMUM INSTALLATION WIDTH FOR SE-500 STRIP SEAL



**METRIC**  
WHOLE NUMBERS INDICATE MILLIMETRES  
DECIMALIZED NUMBERS INDICATE METRES

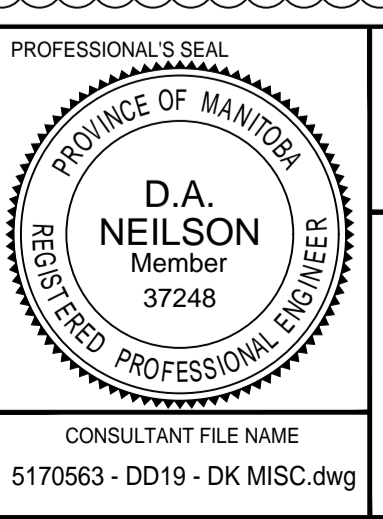
**LOCATION APPROVED**  
UNDERGROUND STRUCTURES

SUPR. U/G STRUCTURES COMMITTEE DATE

**NOTE:**  
LOCATION OF UNDERGROUND STRUCTURES AS SHOWN ARE BASED ON THE BEST INFORMATION AVAILABLE BUT NO GUARANTEE IS GIVEN THAT ALL EXISTING UTILITIES ARE SHOWN OR THAT THE GIVEN LOCATIONS ARE EXACT. CONFIRMATION OF EXISTENCE AND EXACT LOCATION OF ALL SERVICES MUST BE OBTAINED FROM THE INDIVIDUAL UTILITIES BEFORE PROCEEDING WITH CONSTRUCTION.

No.	REVISIONS	DATE	BY
1	ISSUED FOR ADDENDUM 1	17/10/27	DAN
0	ISSUED FOR TENDER	17/10/13	DAN

<b>MORRISON HERSHFIELD</b>	
DESIGNED BY: AG	CHECKED BY: DAN
DRAWN BY: AH	APPROVED BY: BE
RELEASED FOR CONSTRUCTION	
HOR SCALE: AS SHOWN	VERT SCALE: AS SHOWN
DATE: 17/10/13	DATE:



**THE CITY OF WINNIPEG**  
PUBLIC WORKS DEPARTMENT  
ENGINEERING DIVISION

**TACHE PROMENADE TREETOP LOOKOUT**

EXPANSION JOINT DETAILS

CITY DRAWING NUMBER: B250-17-46  
SHEET 46 OF 70  
DRAWING No. 20

CONSULTANT FILE NAME: 5170563 - DD19 - DK MISC.dwg

BID OPPORTUNITY No. 754-2017