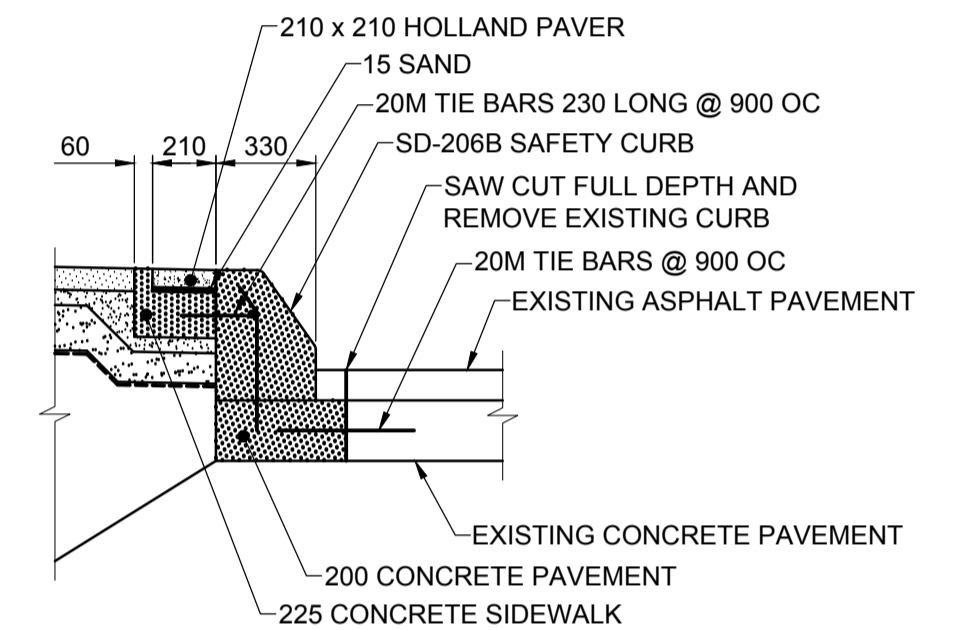
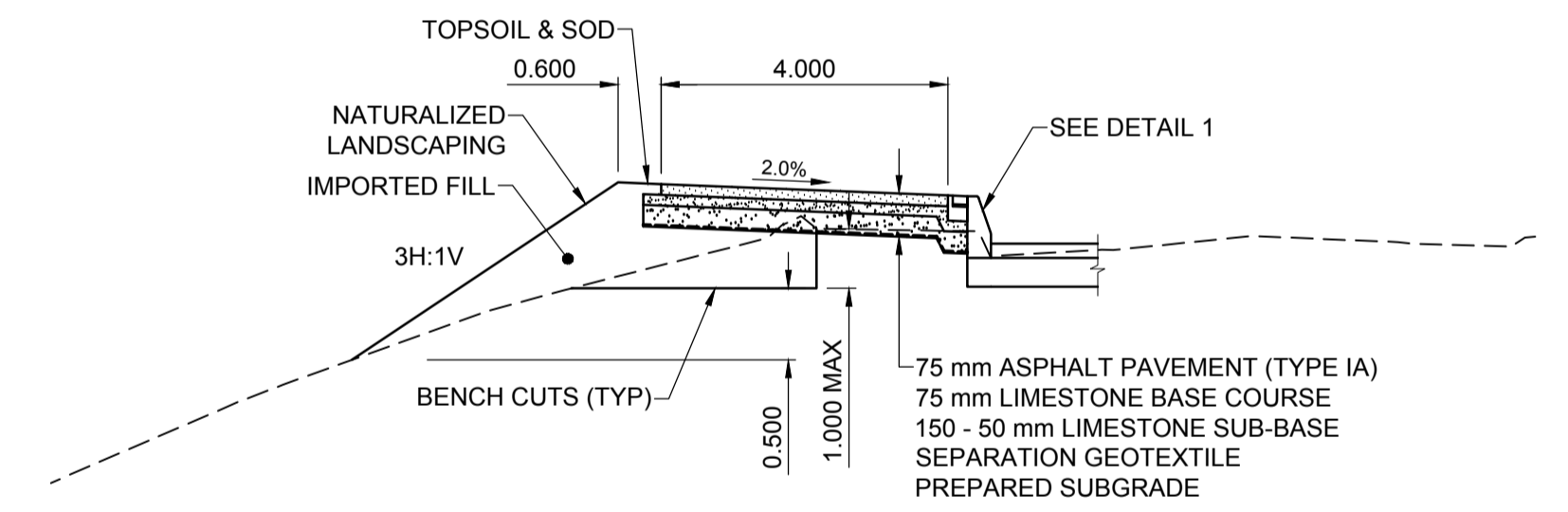


- NOTES**
- CONTRACTOR TO CONFIRM THE LOCATION OF ALL UTILITIES/SERVICES IN THE FIELD PRIOR TO CONSTRUCTION.
 - MODIFIED BARRIER CURB TO BE CONSTRUCTED AT ALL INTERSECTION RADII, BACK LANE RADII AND BULLNOSES.
 - ADD 200.000 m TO ABBREVIATED ELEVATIONS TO OBTAIN GEODETIC ELEVATIONS.

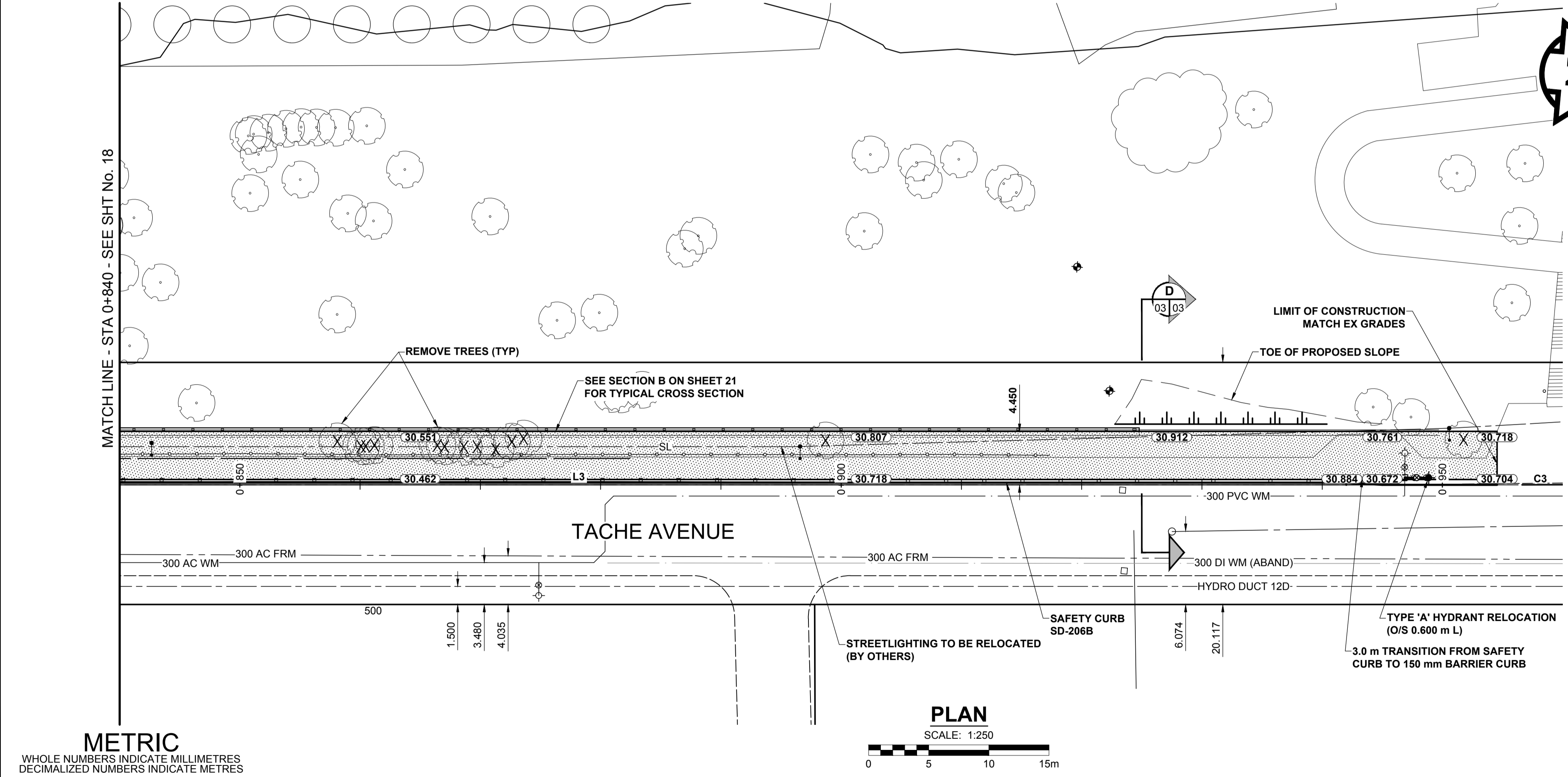


DETAIL
SAFETY CURB
SCALE: 1:25



SECTION D - STA 0+925
SIDEWALK WIDENING
SCALE: 1:100 H 1:50 V

WEST BACK OF CURB ALIGNMENT										
NUMBER	LENGTH	RADIUS	DELTA	TANGENT	START STATION	NORTHING	EASTING	END STATION	NORTHING	EASTING
L3	156.838				0+799.780	9798.066	10007.432	0+956.617	9954.324	9993.963
C3	73.533	315.000	13°22'30"	36.934	0+956.617	9954.324	9993.963	1+030.150	10026.188	9979.194



PLAN
SCALE: 1:250

METRIC
WHOLE NUMBERS INDICATE MILLIMETRES
DECIMALIZED NUMBERS INDICATE METRES

EXISTING	LEGEND - PLAN	NEW	EXISTING	LEGEND - PLAN	NEW	EXISTING	LEGEND - PLAN	NEW
---	GAS	---	○	MANHOLE	●	---	CONCRETE PAVEMENT	---
---	MTS HANDWELL/PEDESTAL	---	□	CATCH BASIN/CATCH PIT	■	---	CONC SIDEWALK/MEDIAN	---
---	HYDRO HANDWELL/CABINET	---	△	CURB INLET WITH BOX	▲	---	ASPHALT PAVEMENT	---
---	CATV/FIBRE OPTIC	---	○	TREE	○	---	PAVING STONE	---
---	TRAFFIC SIGNALS/PIT	---	⊕	TEST HOLE	⊕	---	GRAVEL	---
---	LAND DRAINAGE SEWER	---	TH-12	PROPERTY LINE	---	---	RAMP CURB	---
---	SANITARY/COMBINED SEWER	---	⊕	SURVEY BAR	---	---	PLANING/REMOVAL	---
---	CB LEAD/SSP/DCP	---	---	FENCE	---	---		---
---	WATERMAIN	---	---	BOC/EDGE OF PAVEMENT	---	---		---
---	SUBDRAIN	---	33.000	ELEVATION	(33.333)	---		---
---	DITCH	---	---	TRAFFIC SIGN	---	---		---

LOCATION APPROVED
UNDERGROUND STRUCTURES

SUPR. U/G STRUCTURES COMMITTEE DATE

NOTE:
LOCATION OF UNDERGROUND STRUCTURES AS SHOWN ARE BASED ON THE BEST INFORMATION AVAILABLE BUT NO GUARANTEE IS GIVEN THAT ALL EXISTING UTILITIES ARE SHOWN OR THAT THE GIVEN LOCATIONS ARE EXACT. CONFIRMATION OF EXISTENCE AND EXACT LOCATION OF ALL SERVICES MUST BE OBTAINED FROM THE INDIVIDUAL UTILITIES BEFORE PROCEEDING WITH CONSTRUCTION.

NO.	ISSUED FOR TENDER	DATE	BY
0	ISSUED FOR TENDER	17/10/13	JGK
	REVISIONS	YY/MM/DD	BY

MORRISON HERSHFIELD

DESIGNED BY: JGK
 CHECKED BY: DAN
 DRAWN BY: KMB
 APPROVED BY: BWB

HOR SCALE: 1:250
 VERT SCALE: 1:10

RELEASED FOR CONSTRUCTION

DATE: 17/10/13

PROFESSIONAL'S SEAL
 PROVINCE OF MANITOBA
J.G. KENNEDY
 Member
 22326
 REGISTERED PROFESSIONAL ENGINEER

CONSULTANT FILE NAME
 5170563-Tache-PP-04.dwg

THE CITY OF WINNIPEG
 PUBLIC WORKS DEPARTMENT
 ENGINEERING DIVISION

TACHE PROMENADE

TACHE AVENUE
 SIDEWALK WIDENING
 PLAN PROFILE & SECTIONS
 STA 0+840 TO STA 0+960

CITY DRAWING NUMBER: B250-17-19
 SHEET 19 OF 70
 DRAWING No. REV: 03 0

BID OPPORTUNITY No. 754-2017