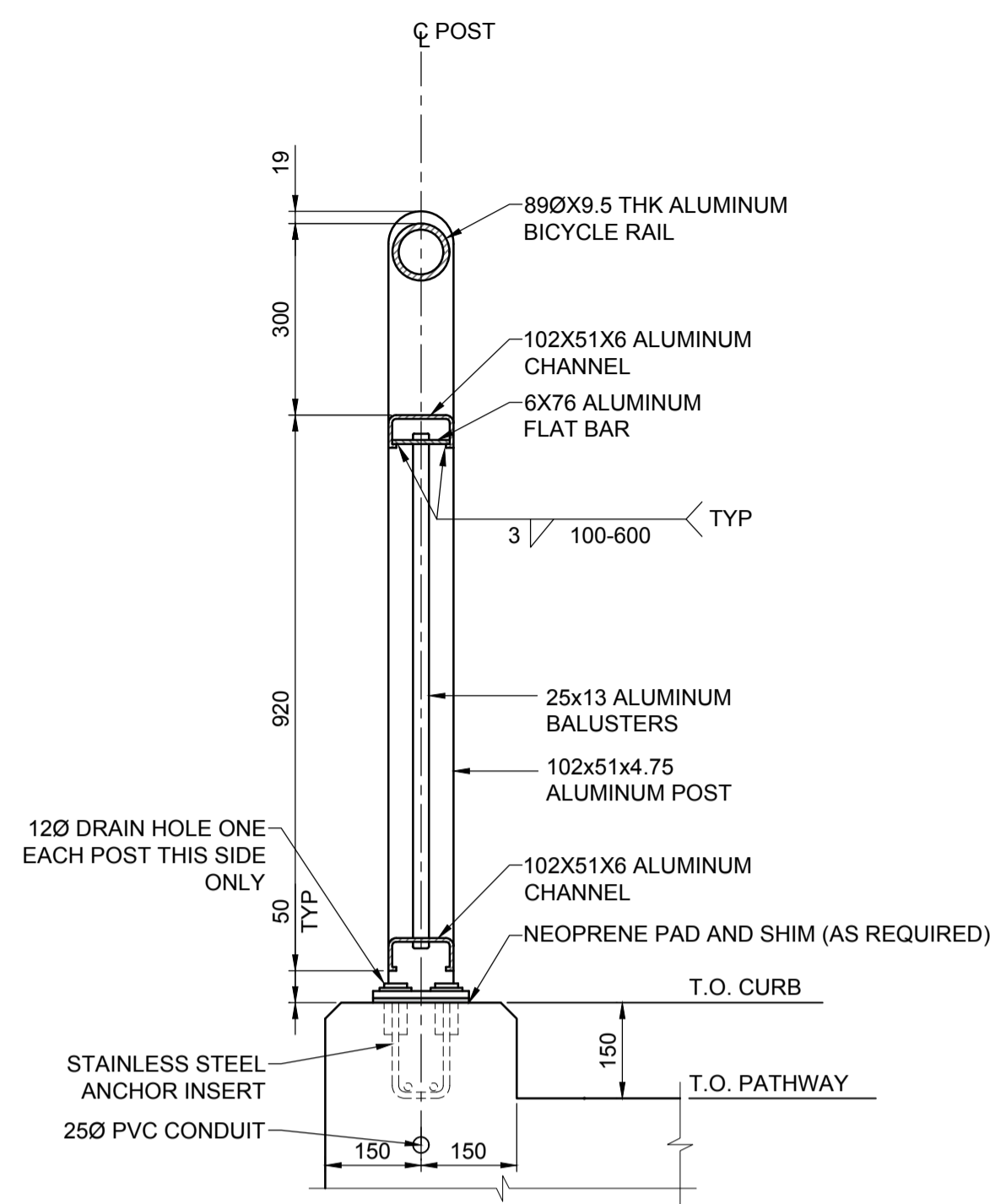
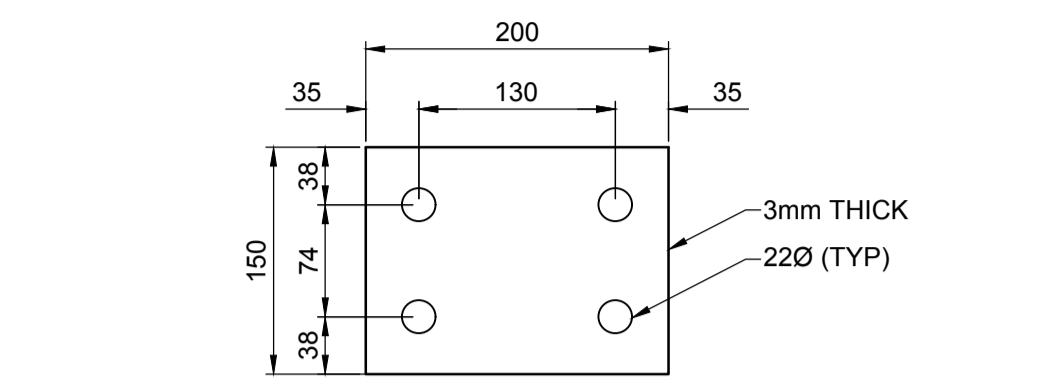


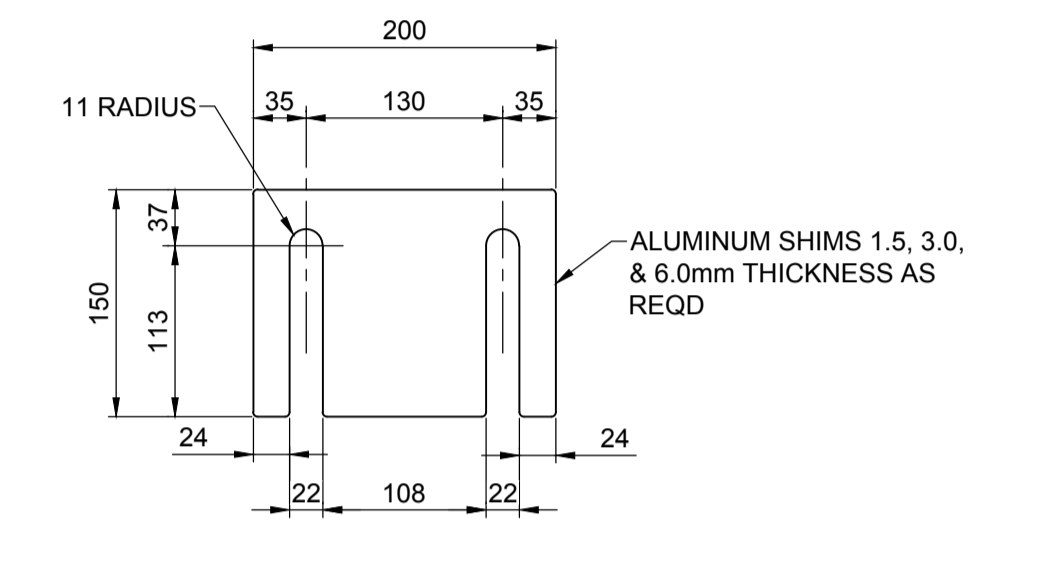
ELEVATION - END PANEL 'A' & 'B'
 SCALE: 1:10



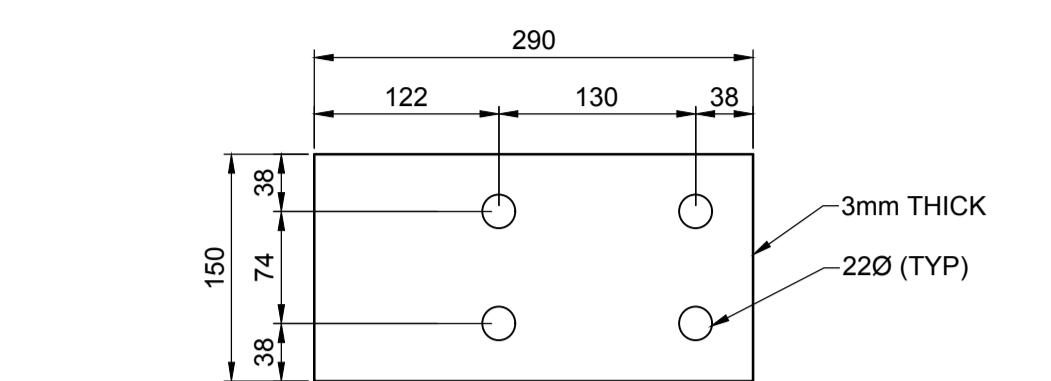
SECTION
 SCALE: 1:10



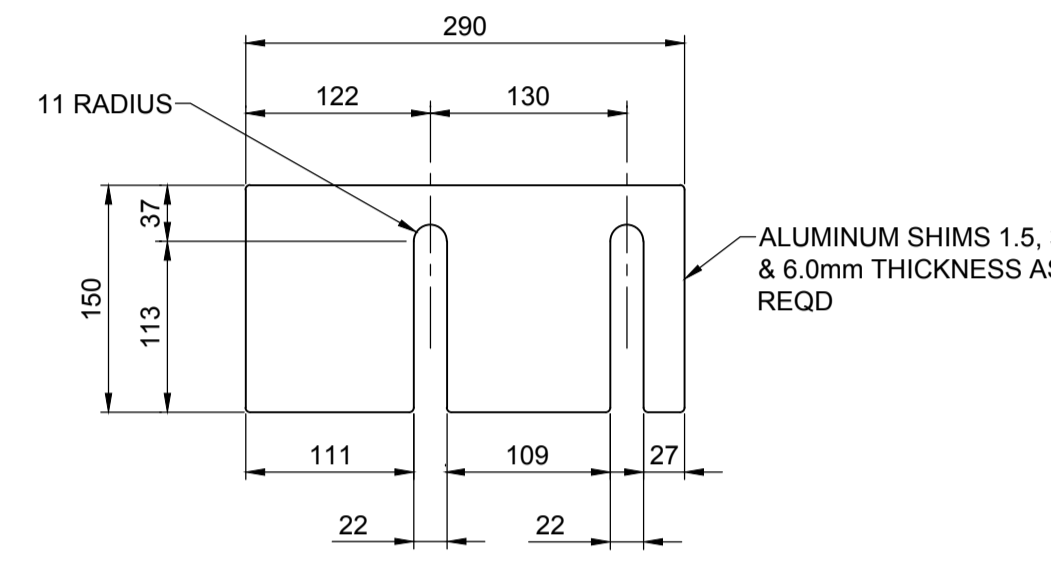
INTERMEDIATE NEOPRENE PAD DETAIL
 SCALE 1:5



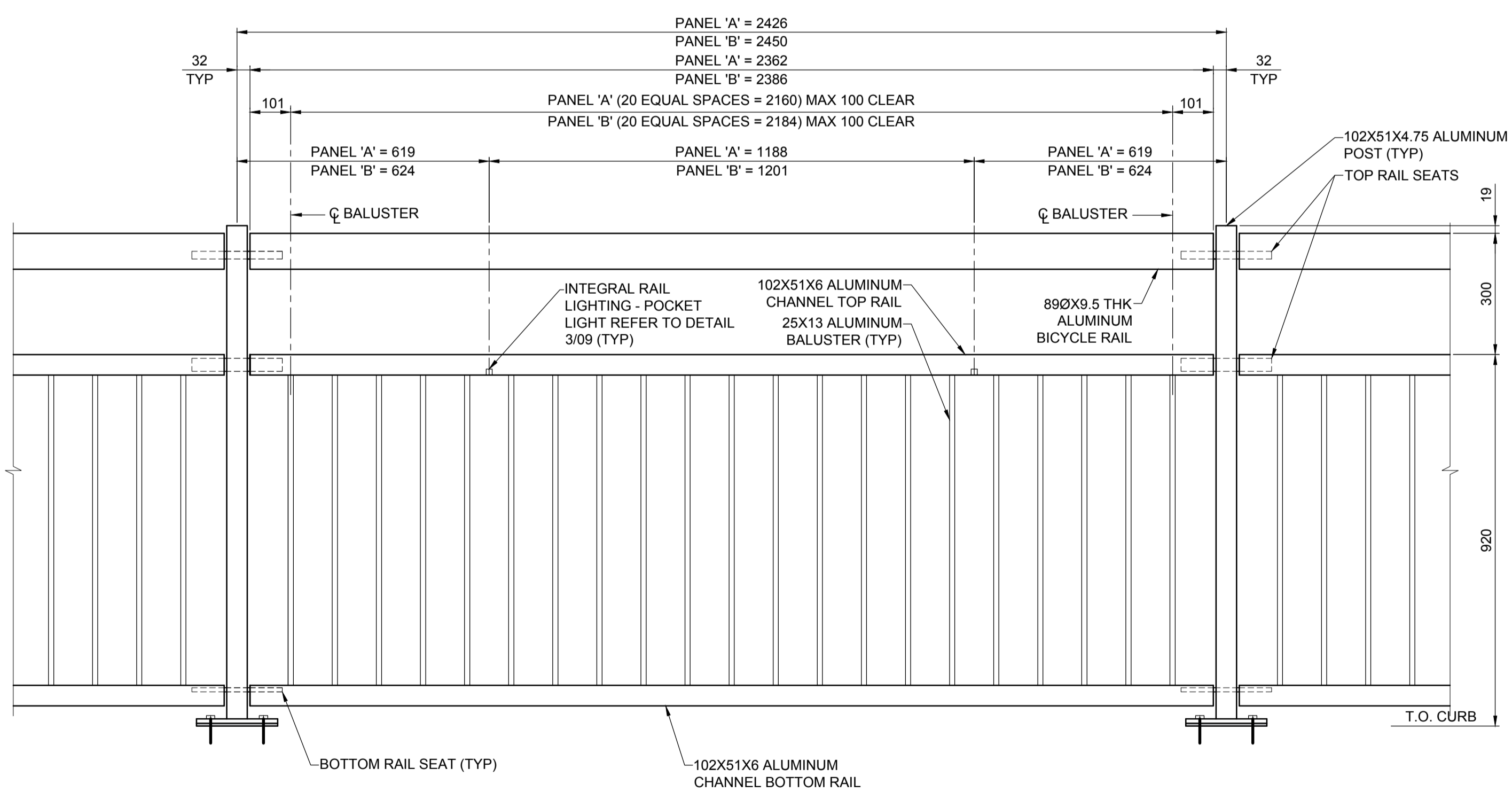
INTERMEDIATE SHIM DETAIL
 SCALE 1:5



END NEOPRENE PAD DETAIL
 SCALE 1:5



END SHIM DETAIL
 SCALE 1:5



ELEVATION - INTERMEDIATE PANEL 'A' & 'B'
 SCALE: 1:10

ALUMINUM BICYCLE RAIL QUANTITIES	
ITEM	NO.
END PANEL 'A'	2
INTERMEDIATE PANEL 'A'	27
END PANEL 'B'	2
INTERMEDIATE PANEL 'B'	35
TOTAL NUMBER OF PANELS = 66	

- NOTES:**
- ALUMINUM EXTRUSIONS SHALL CONFORM TO ASTM B221 ALLOY 6351-T6.
 - ALUMINUM PLATES SHALL CONFORM TO ASTM B221 ALLOY 5083.
 - THE M.I.G. PROCESS OF WELDING SHALL BE USED.
 - RAIL POSTS AND BALUSTERS SHALL BE SET PLUMB.
 - PLACE NEOPRENE PAD UNDER EACH POST BETWEEN BASE PLATE OR SHIM AND CONCRETE SURFACE. ALUMINUM SHIMS MAY BE REQUIRED FOR VERTICAL ALIGNMENT.
 - HANDRAIL ANCHOR INSERTS SHALL BE ACROW-RICHMOND TYPE DGRS-1.



METRIC
 WHOLE NUMBERS INDICATE MILLIMETRES
 DECIMALIZED NUMBERS INDICATE METRES

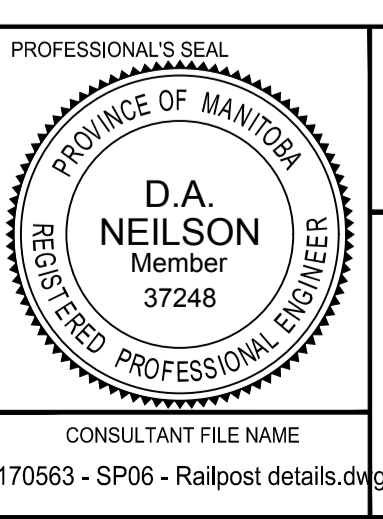
LOCATION APPROVED
 UNDERGROUND STRUCTURES

DATE: _____

NOTE:
 LOCATION OF UNDERGROUND STRUCTURES AS SHOWN ARE BASED ON THE BEST INFORMATION AVAILABLE BUT NO GUARANTEE IS GIVEN THAT ALL EXISTING UTILITIES ARE SHOWN OR THAT THE GIVEN LOCATIONS ARE EXACT. CONFIRMATION OF EXISTENCE AND EXACT LOCATION OF ALL SERVICES MUST BE OBTAINED FROM THE INDIVIDUAL UTILITIES BEFORE PROCEEDING WITH CONSTRUCTION.

No.	REVISIONS	DATE	BY
0	ISSUED FOR TENDER	17/10/13	DAN

MORRISON HERSHFIELD	
DESIGNED BY: TN	CHECKED BY: DAN
DRAWN BY: MS	APPROVED BY: BE
HOR SCALE: AS SHOWN	RELEASED FOR CONSTRUCTION: _____
VERT SCALE: AS SHOWN	DATE: 17/10/13



BID OPPORTUNITY No. 754-2017

THE CITY OF WINNIPEG
 PUBLIC WORKS DEPARTMENT
 ENGINEERING DIVISION

TACHE PROMENADE SHEET PILE WALL

HANDRAIL DETAILS 1

CITY DRAWING NUMBER B250-17-24
SHEET 24 OF 70
DRAWING No. 08
REV 0