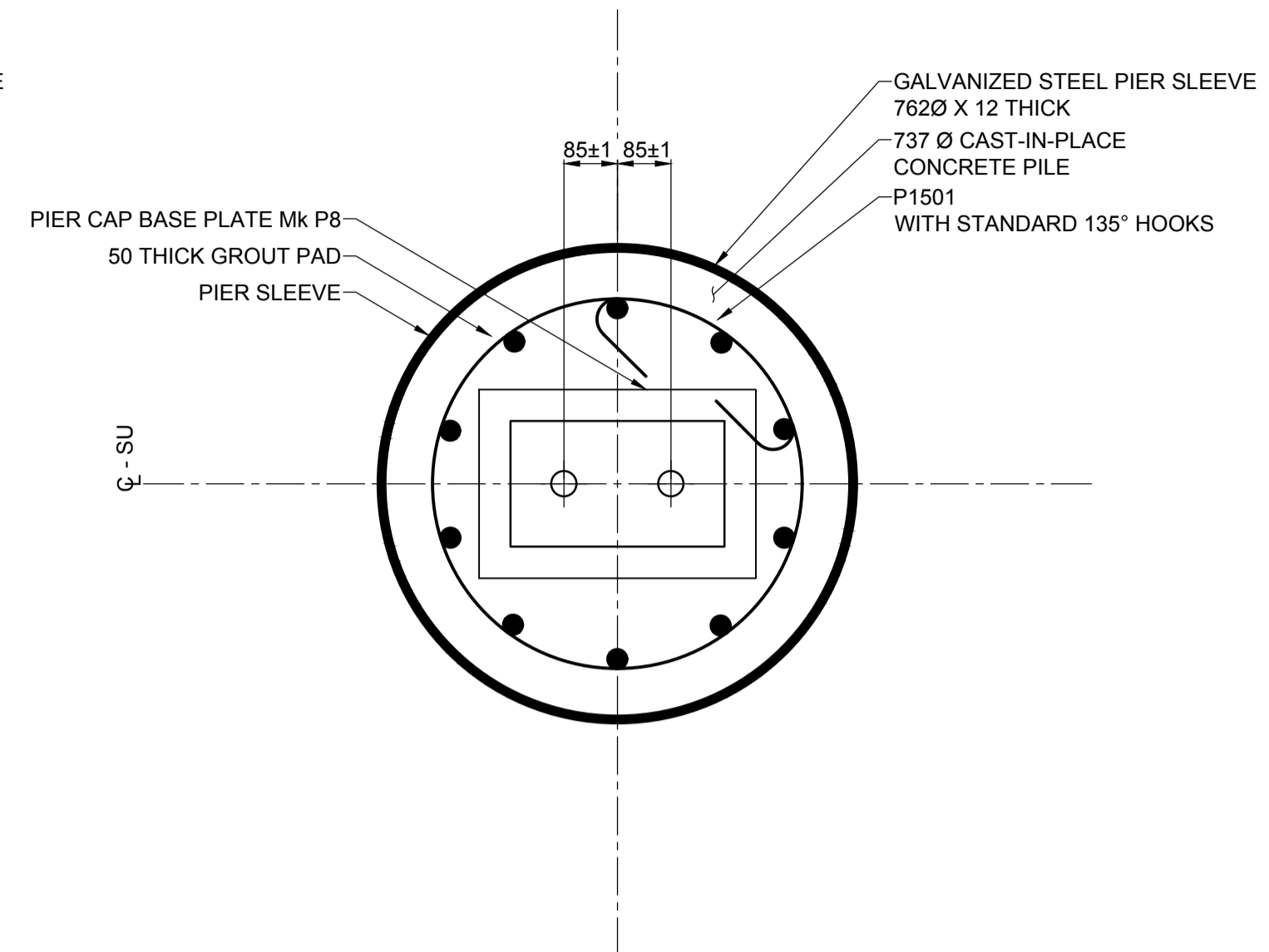
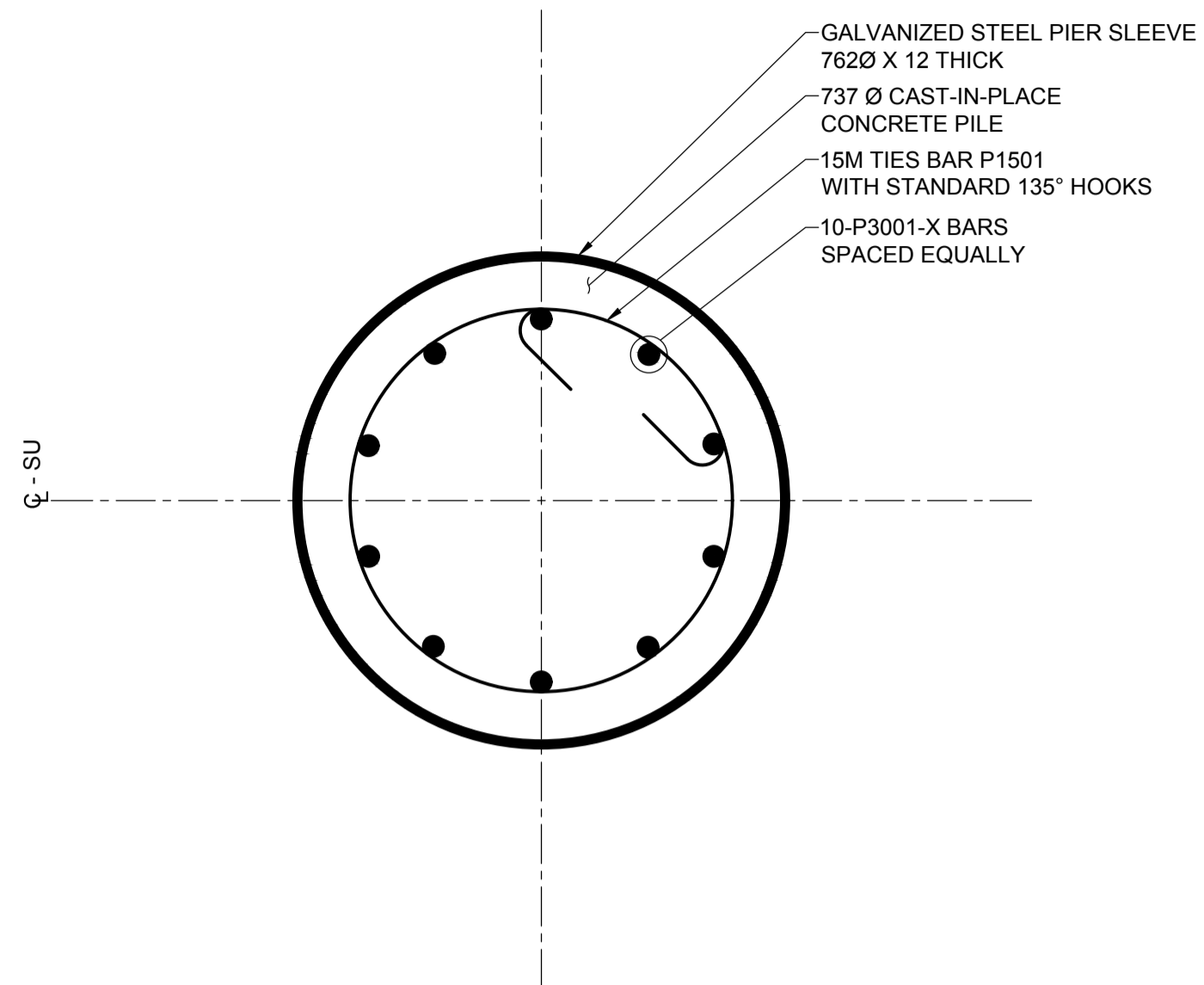


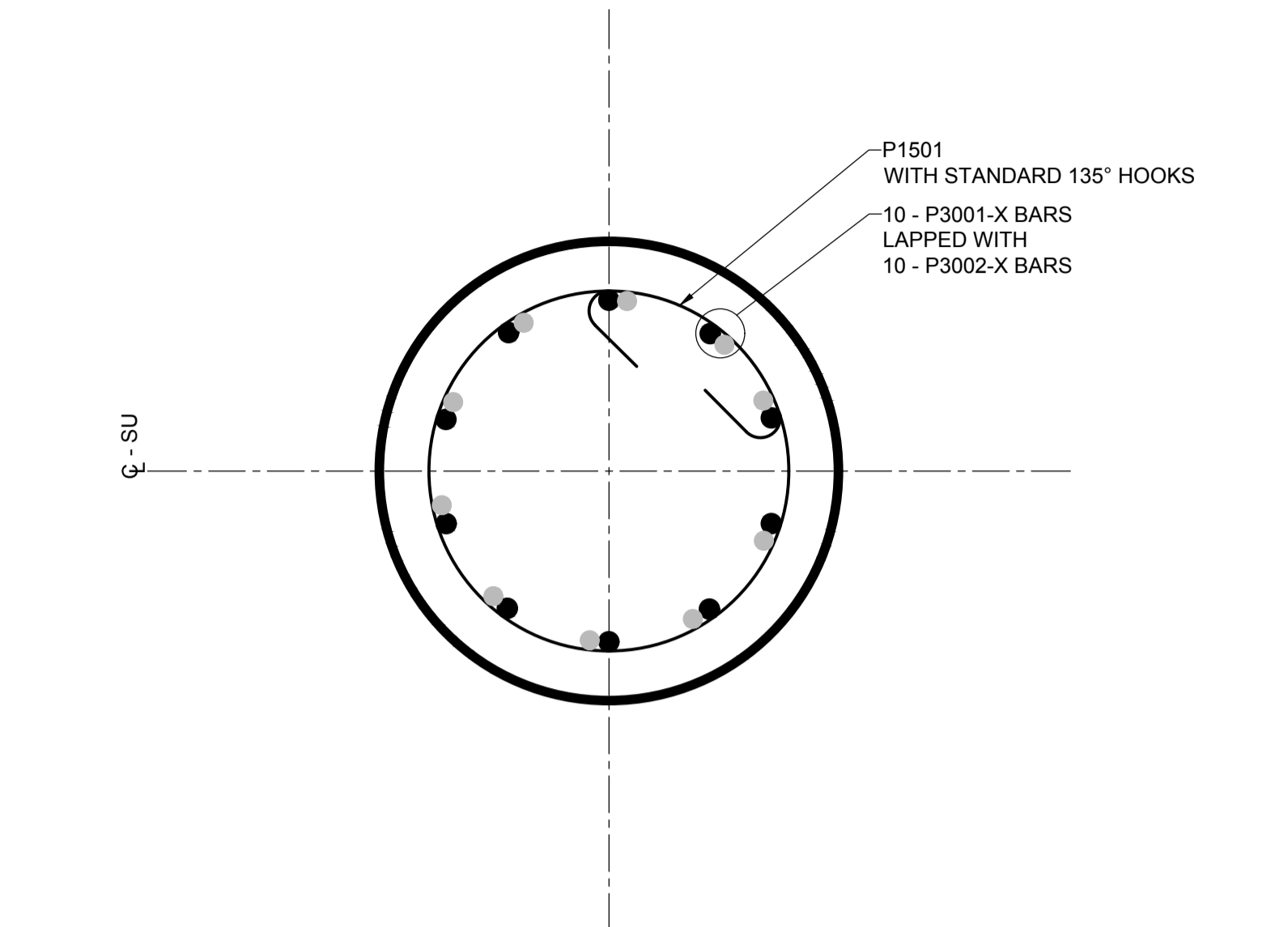
**A SECTION - PIER BASE PLATE SU3 - SU6**  
SCALE: 1:10



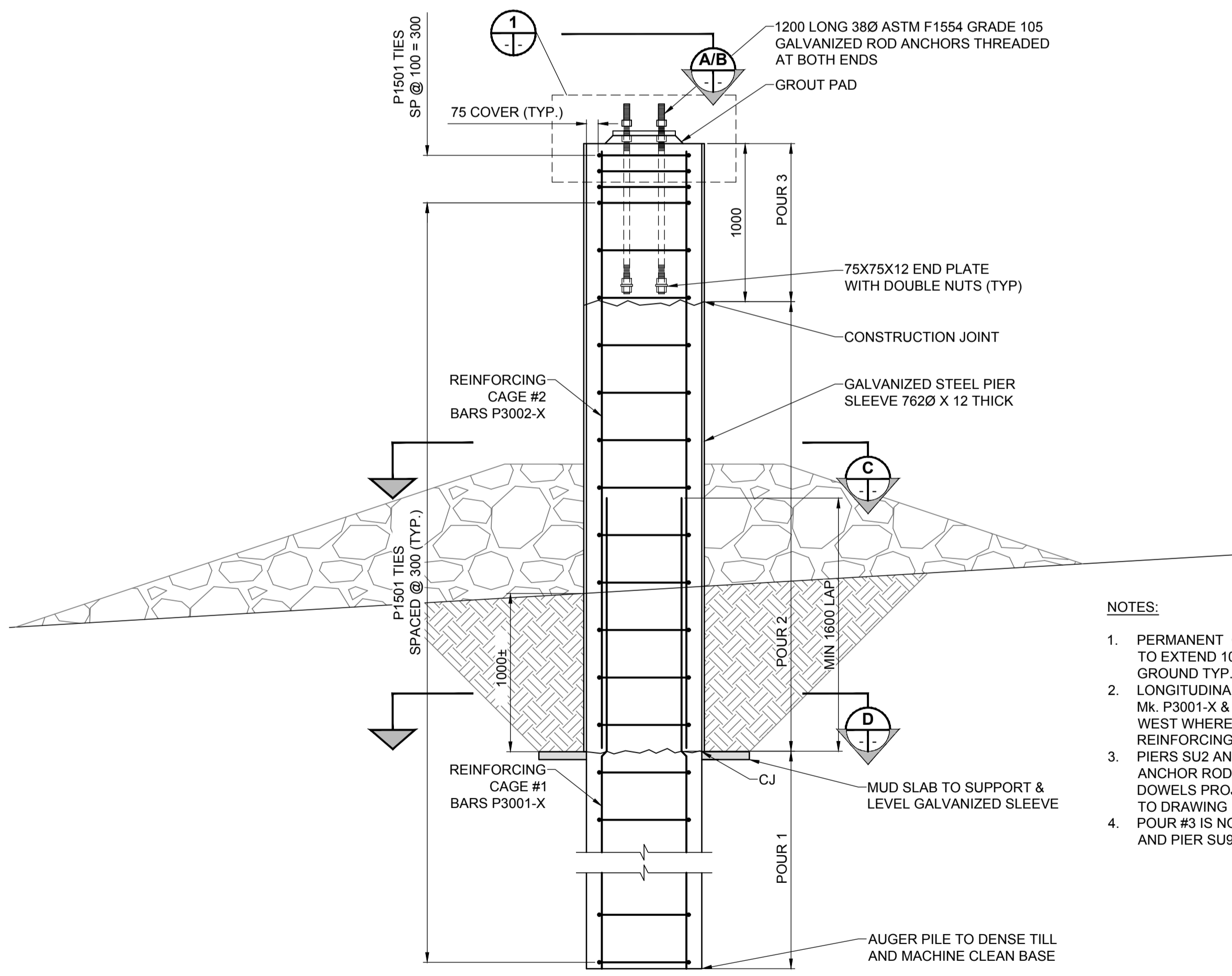
**B SECTION - PIER BASE PLATE SU7 & SU8**  
SCALE: 1:10



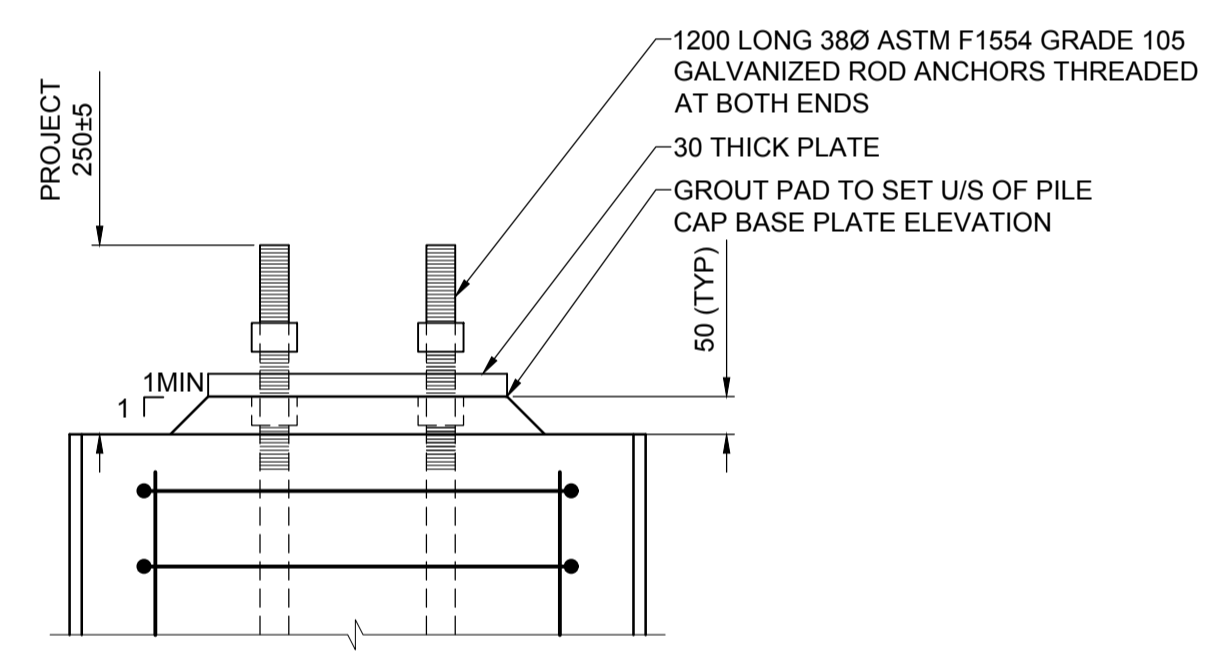
**C SECTION - TYPICAL PIER SHAFT SECTION**  
SCALE: 1:10



**D SECTION - PIER SHAFT AT SPLICE LOCATION**  
SCALE: 1:10



**A SECTION - TYPICAL PIER**  
SCALE: 1:25



**DETAIL - PIER**  
SCALE: 1:10

- NOTES:**
- PERMANENT GALVANIZED PIER SLEEVE TO EXTEND 1000 BELOW EXISTING GROUND TYP.
  - LONGITUDINAL PIER REINFORCING BARS Mk. P3001-X & P3002-X, X IS SU#. EAST OR WEST WHERE APPLICABLE SEE BILL OF REINFORCING STEEL.
  - PIERS SU2 AND SU9 DO NOT HAVE ANCHOR RODS, BUT INSTEAD HAVE DOWELS PROJECTING UPWARDS. REFER TO DRAWING No. 07.
  - POUR #3 IS NOT REQUIRED FOR PIER SU2 AND PIER SU9.

- PIER BEAM ANCHORAGE INSTALLATION NOTES:**
- CAST ANCHORS INTO CONCRETE PILE. SET ANCHORS ROD LOCATION AND PROJECTION TO THE TOLERANCES SHOWN ON THE DRAWINGS BY USE OF A PLYWOOD TEMPLATE. PROVIDE TEMPORARY HEAVY HEX NUTS TO HOLD THE ANCHORS TO THE TEMPLATE WITH THE CORRECT THREAD PROJECTION DURING THE CONCRETE POUR AND PROVIDE THE NUTS SHOWN ON THE DRAWING FOR THE PERMANENT INSTALLATION.
  - PROVIDE 4-LEVELING NUTS C/W FLAT WASHERS TO LEVEL BASE PLATE, AS SHOWN. PROVIDE 4-RESTRAINING NUTS C/W LOCK WASHERS AND FLAT WASHERS TO RESTRAIN BASE PLATE, AS SHOWN.
  - CAST GROUT PAD TO DIMENSIONS SHOWN.

PILE & STEEL SLEEVE LENGTHS		
SUBSTRUCTURE	STEEL SLEEVE LENGTH (m)	PILE LENGTH (m)
SU2	2	15.3
SU3	3	16.1
SU4	5	16.2
SU5	5	16.4
SU6	5	16.2
SU7 - W PILE	5	16.1
SU7 - E PILE	5	16.1
SU8 - W PILE	5	16
SU8 - E PILE	5	16
SU9	3	15.1



**METRIC**  
WHOLE NUMBERS INDICATE MILLIMETRES  
DECIMALIZED NUMBERS INDICATE METRES

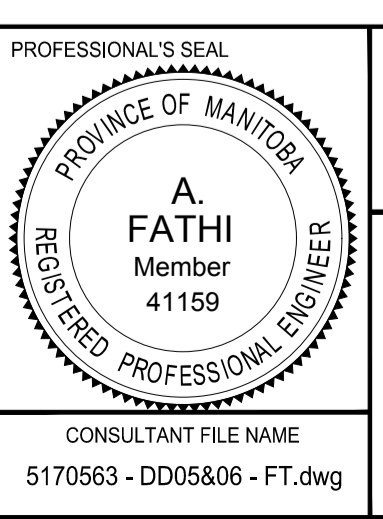
**LOCATION APPROVED**  
UNDERGROUND STRUCTURES

SUPR. U/G STRUCTURES COMMITTEE DATE

**NOTE:**  
LOCATION OF UNDERGROUND STRUCTURES AS SHOWN ARE BASED ON THE BEST INFORMATION AVAILABLE BUT NO GUARANTEE IS GIVEN THAT ALL EXISTING UTILITIES ARE SHOWN OR THAT THE GIVEN LOCATIONS ARE EXACT. CONFIRMATION OF EXISTENCE AND EXACT LOCATION OF ALL SERVICES MUST BE OBTAINED FROM THE INDIVIDUAL UTILITIES BEFORE PROCEEDING WITH CONSTRUCTION.

No.	REVISIONS	DATE	BY
0	ISSUED FOR TENDER	17/10/13	DAN

<b>MORRISON HERSHFIELD</b>	
DESIGNED BY: AG	CHECKED BY: AF
DRAWN BY: AH	APPROVED BY: BE
HOR SCALE: AS SHOWN	VERT SCALE: AS SHOWN
DATE: 17/10/13	RELEASED FOR CONSTRUCTION DATE:



PROFESSIONAL'S SEAL

**THE CITY OF WINNIPEG**  
PUBLIC WORKS DEPARTMENT  
ENGINEERING DIVISION

**TACHE PROMENADE TREETOP LOOKOUT**

FOUNDATIONS 2

CITY DRAWING NUMBER: B250-17-32  
SHEET 32 OF 70  
DRAWING No. REV 06 0

CONSULTANT FILE NAME: 5170563 - DD05&06 - FT.dwg

BID OPPORTUNITY No. 754-2017