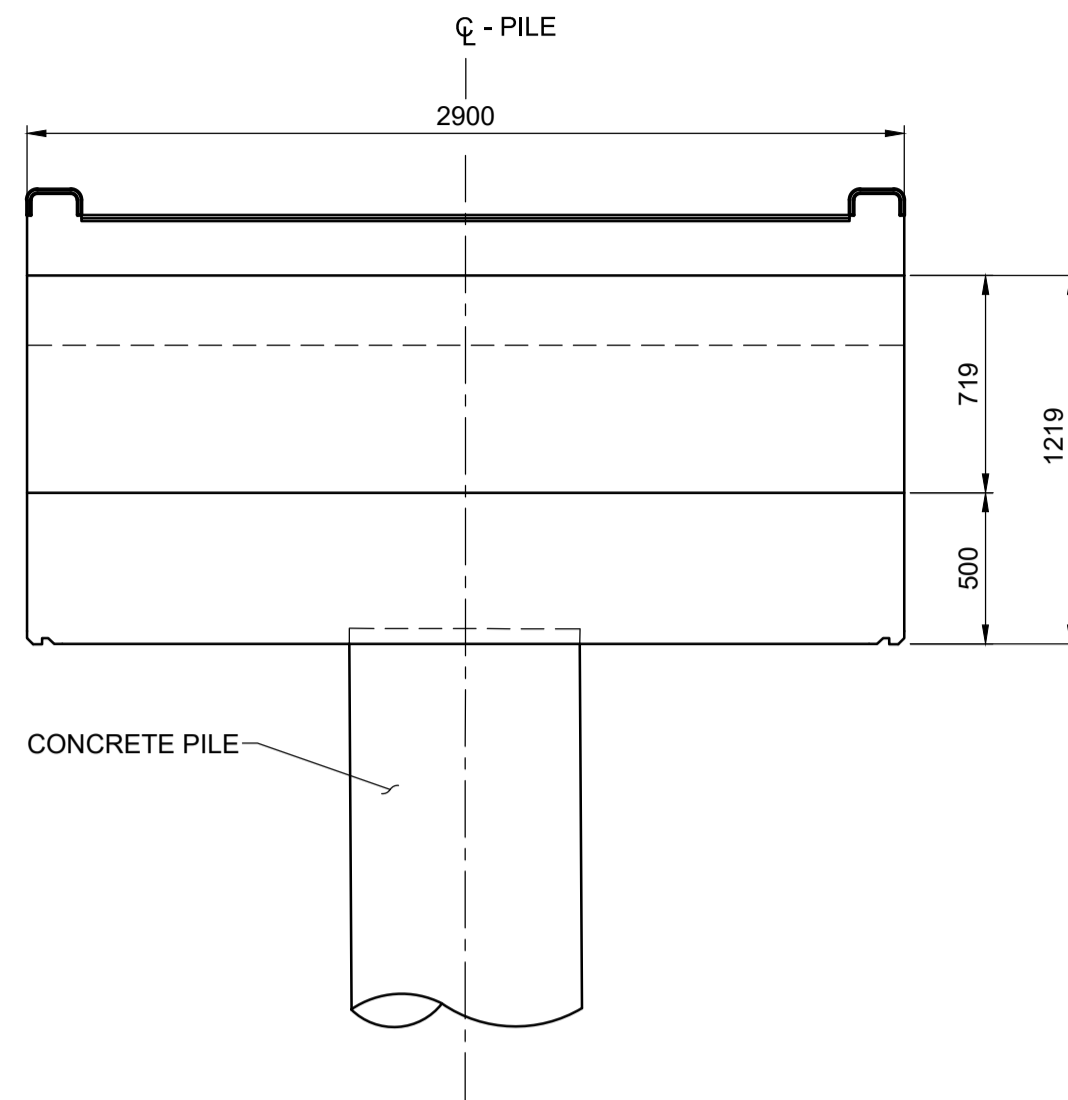
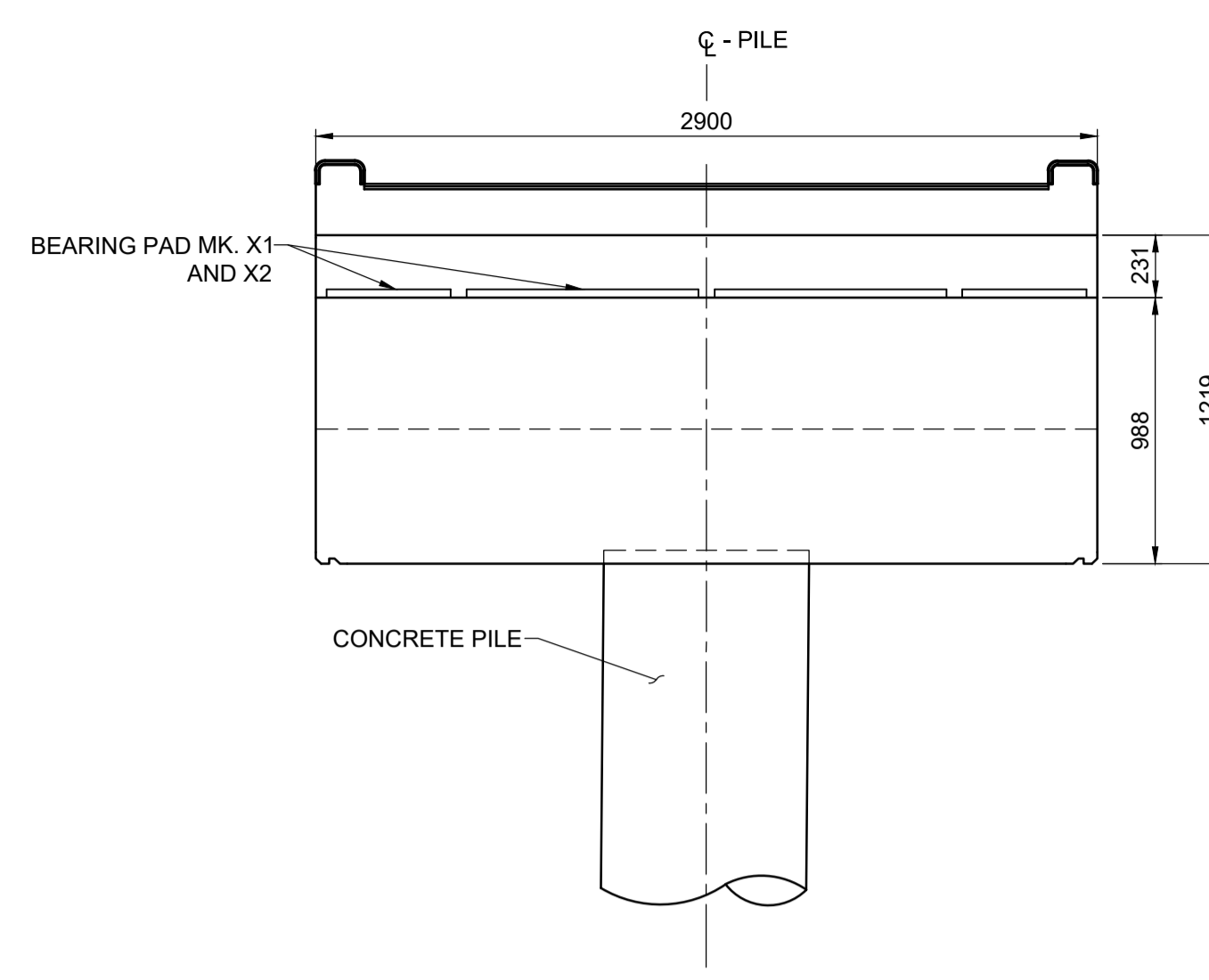


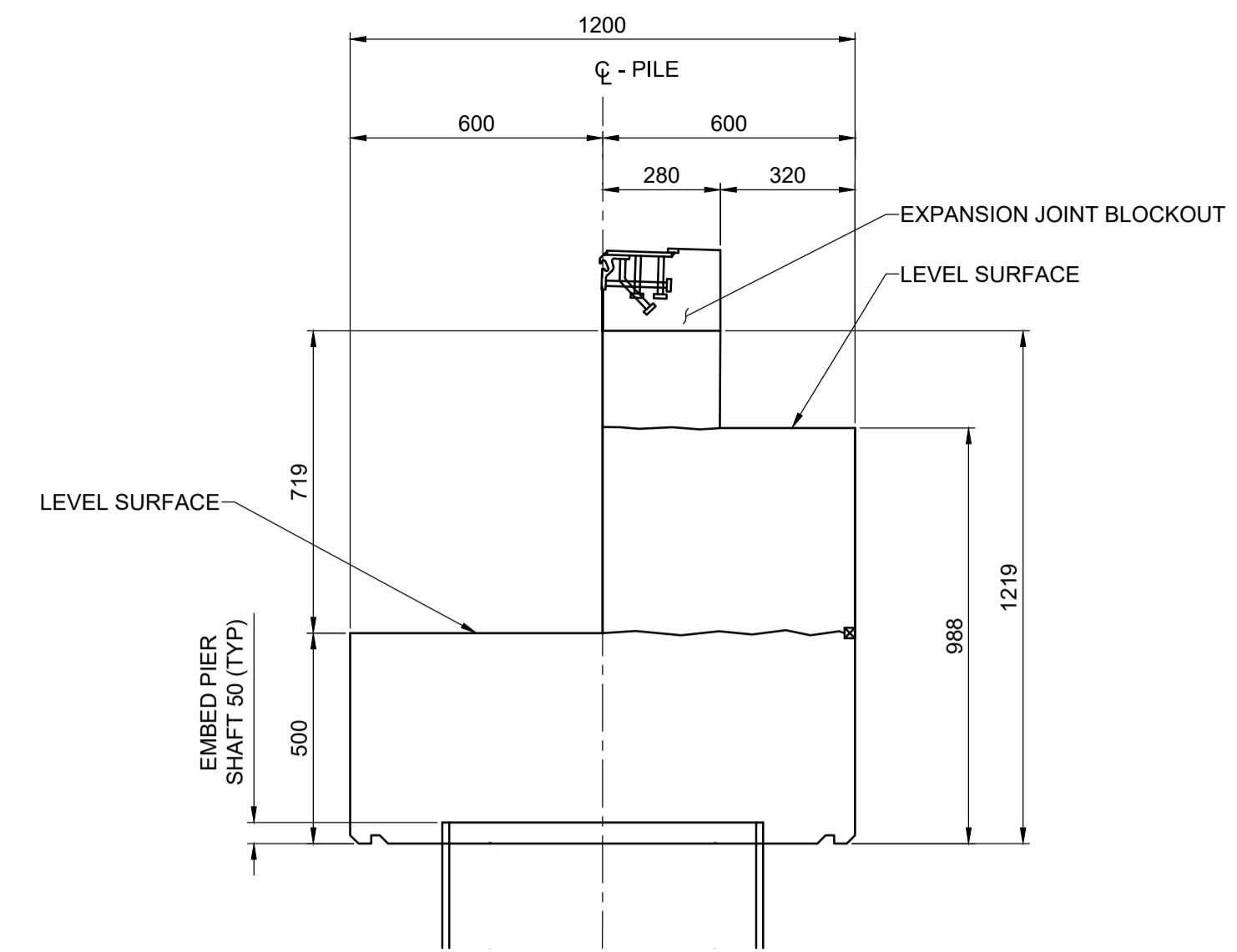
SU2 & SU9 PLAN
SCALE: 1:25



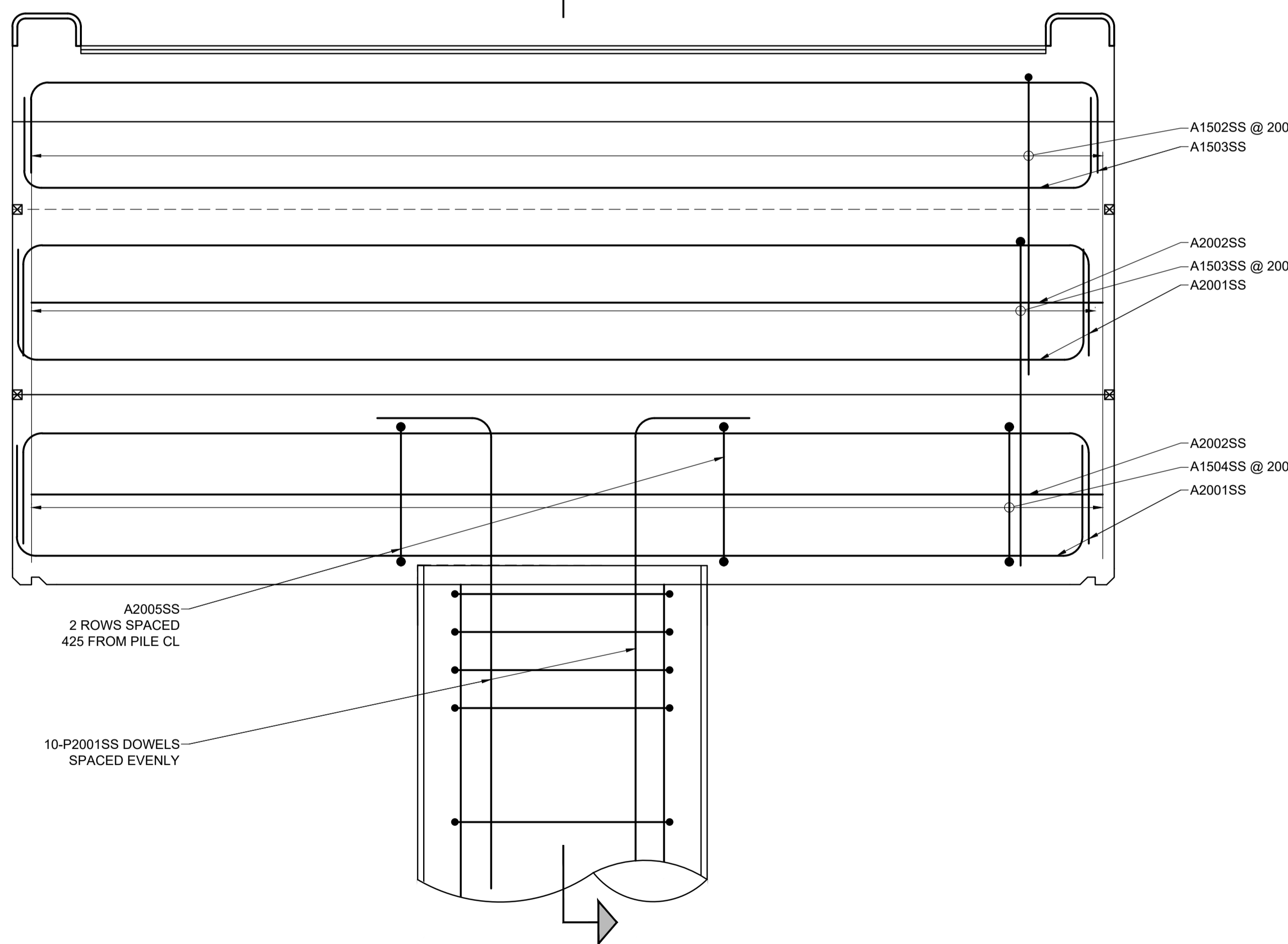
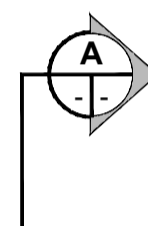
SU2 & SU9 FRONT ELEVATION
SCALE: 1:25



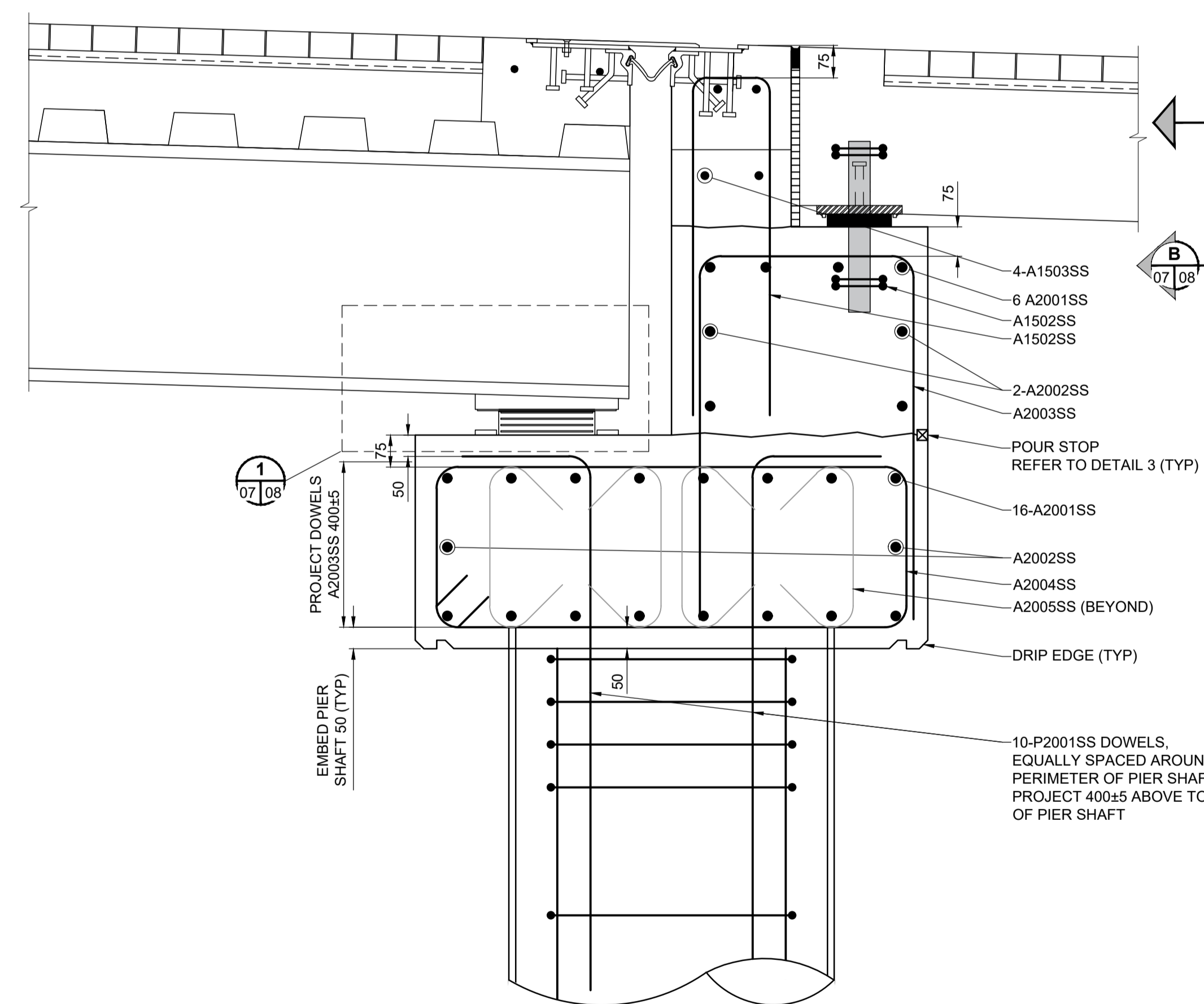
SU2 & SU9 REAR ELEVATION
SCALE: 1:25



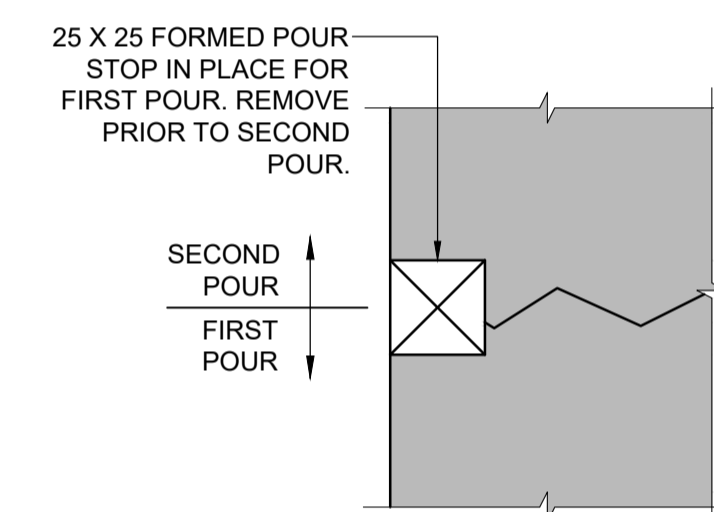
SU2 & SU9 SECTION
SCALE: 1:15



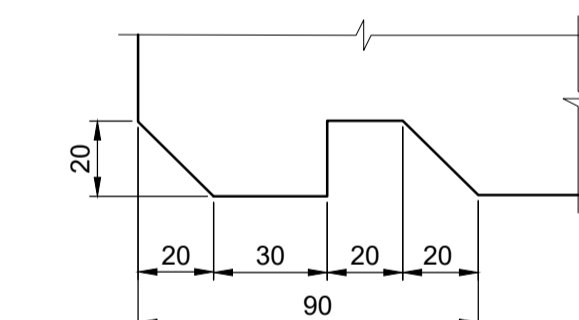
SU2 & SU9 FRONT ELEVATION REINFORCING
SCALE: 1:10



SECTION - SU2 AND SU9
SCALE: 1:10



DETAIL 3
SCALE: 1:2



DETAIL - DRIP EDGE
SCALE: 1:2



METRIC
WHOLE NUMBERS INDICATE MILLIMETRES
DECIMALIZED NUMBERS INDICATE METRES

LOCATION APPROVED
UNDERGROUND STRUCTURES

SUPR. U/G STRUCTURES COMMITTEE DATE

NOTE:
LOCATION OF UNDERGROUND STRUCTURES AS SHOWN ARE BASED ON THE BEST INFORMATION AVAILABLE BUT NO GUARANTEE IS GIVEN THAT ALL EXISTING UTILITIES ARE SHOWN OR THAT THE GIVEN LOCATIONS ARE EXACT. CONFIRMATION OF EXISTENCE AND EXACT LOCATION OF ALL SERVICES MUST BE OBTAINED FROM THE INDIVIDUAL UTILITIES BEFORE PROCEEDING WITH CONSTRUCTION.

No.	REVISIONS	DATE	BY
0	ISSUED FOR TENDER	17/10/13	DAN

MORRISON HERSHFIELD

DESIGNED BY	TN	CHECKED BY	DAN
DRAWN BY	AH	APPROVED BY	BE
HOR SCALE	AS SHOWN	RELEASED FOR CONSTRUCTION	
VERT SCALE	AS SHOWN	DATE	17/10/13

PROFESSIONAL'S SEAL
PROVINCE OF MANITOBA
REGISTERED PROFESSIONAL ENGINEER
D.A. NEILSON
Member
37248
CONSULTANT FILE NAME
5170563 - DD07 - SU2 & SU9.dwg

THE CITY OF WINNIPEG
PUBLIC WORKS DEPARTMENT
ENGINEERING DIVISION

TACHE PROMENADE TREETOP LOOKOUT

SU2 AND SU9
PIER CAPS

CITY DRAWING NUMBER
B250-17-33
SHEET 33 OF 70
DRAWING No. 07
REV 0

BID OPPORTUNITY No. 754-2017