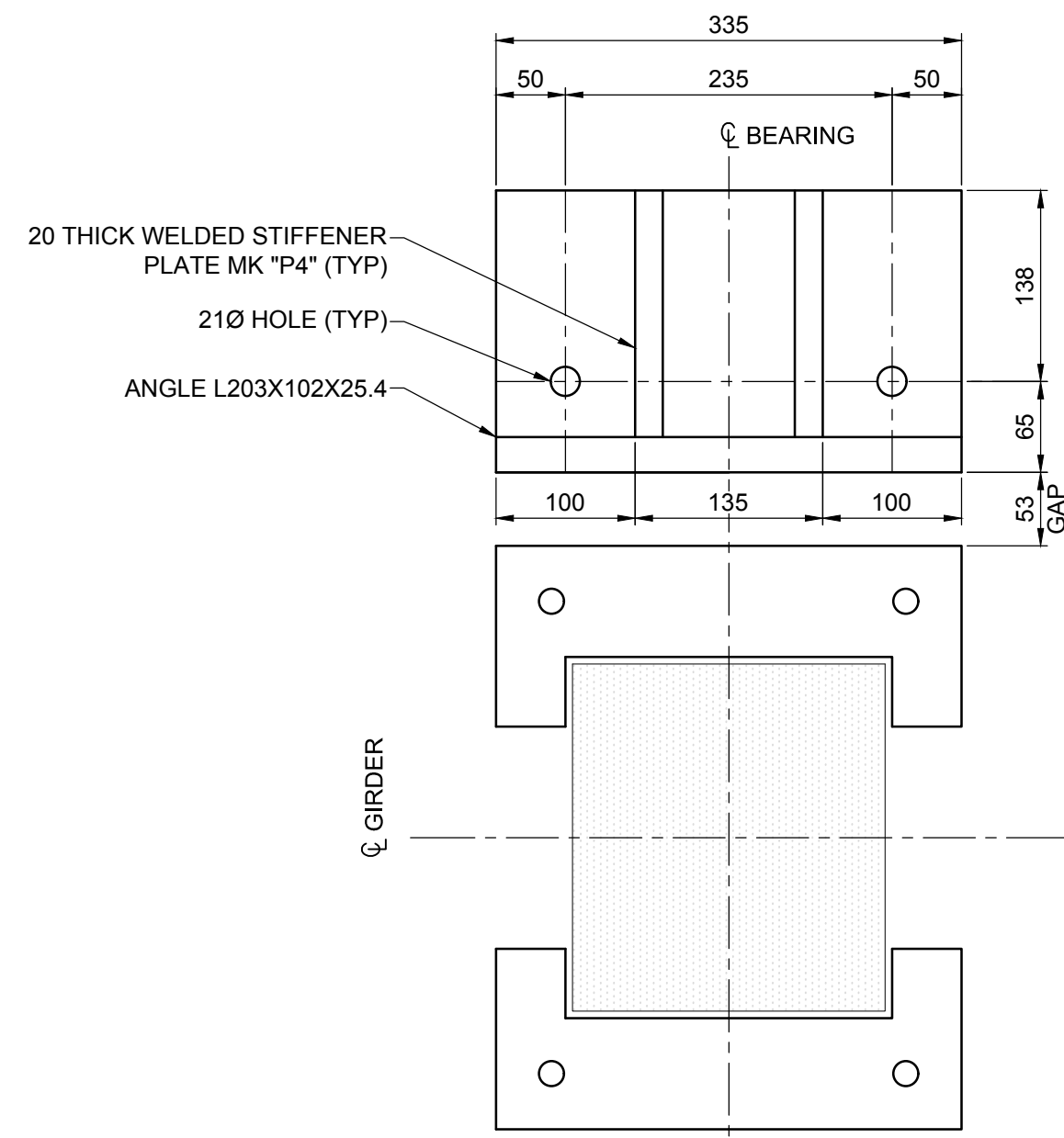
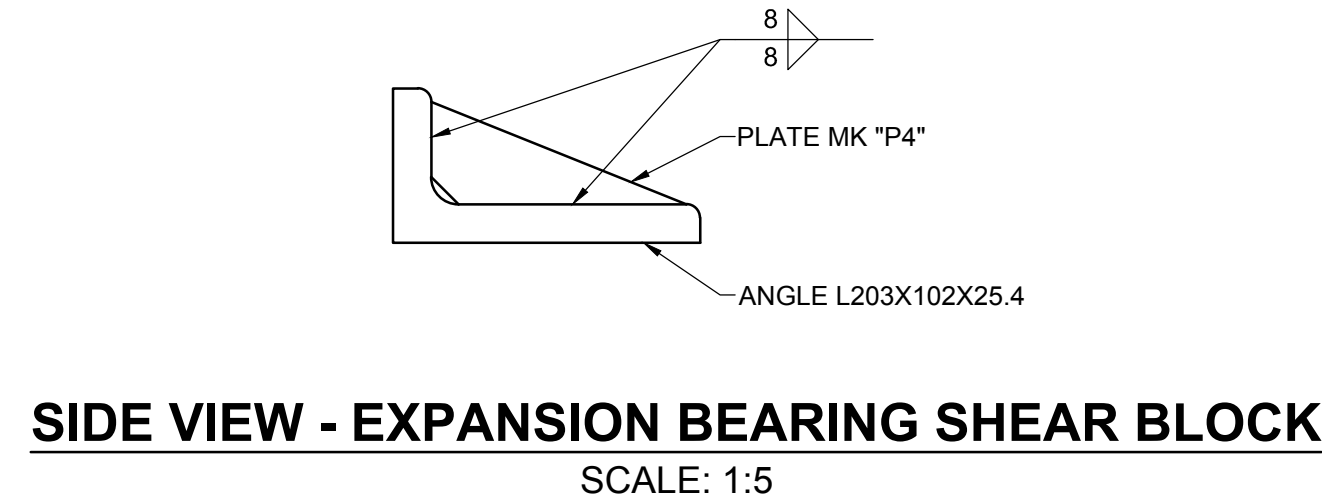


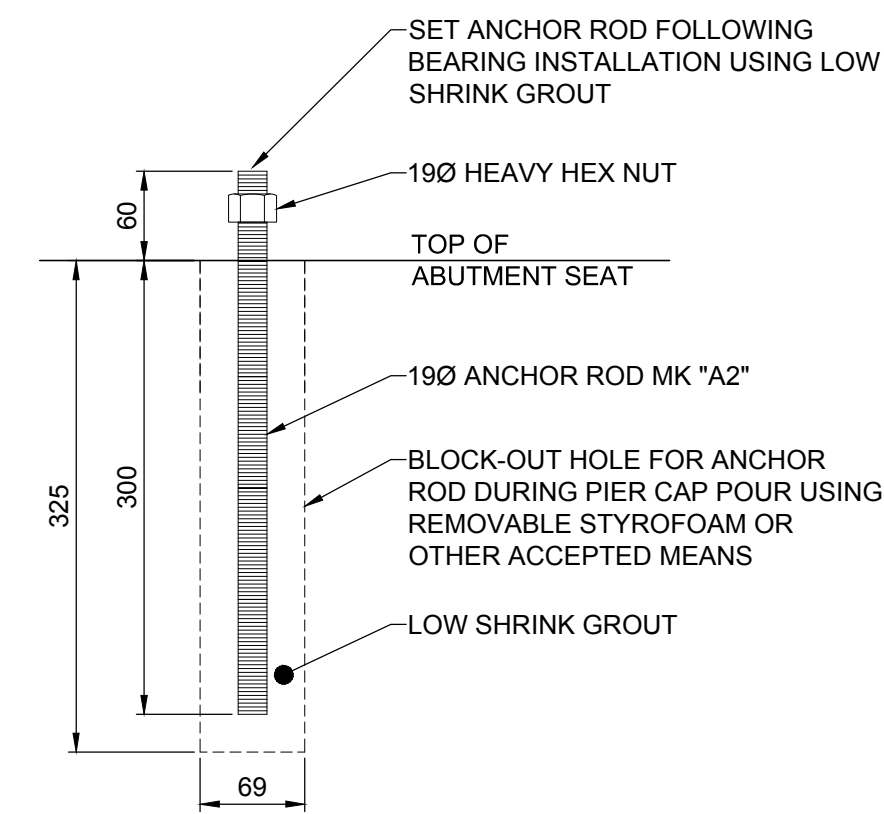
ISO A1 - 594mm x 841mm
 O:\Winnipeg\Proj\5170563-09 - Drawing\05 - Design\06 - Sheets\Detailed Design\Treetop Lookout Structure\170563 - DD08&09 - BRG DT 1.dwg
 Last Saved: 10/13/2017 1:55 PM by Alex Heppner
 Plotted: 10/13/2017 2:02 PM by Alex Heppner



EXPANSION BEARING SHEAR BLOCK MK. SB1
SCALE: 1:2

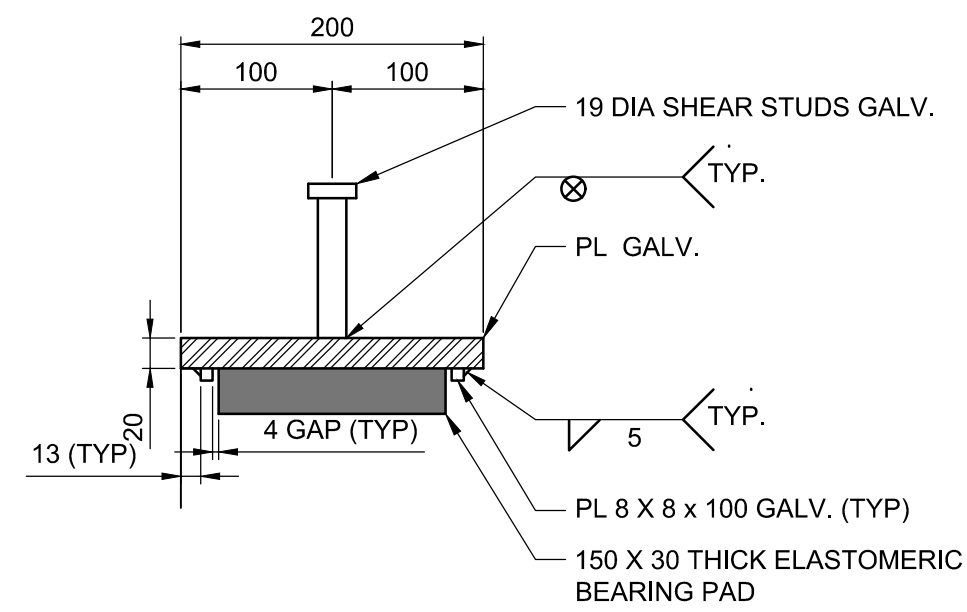


DETAIL - STIFFENER PLATE Mk "P4"
SCALE: 1:5

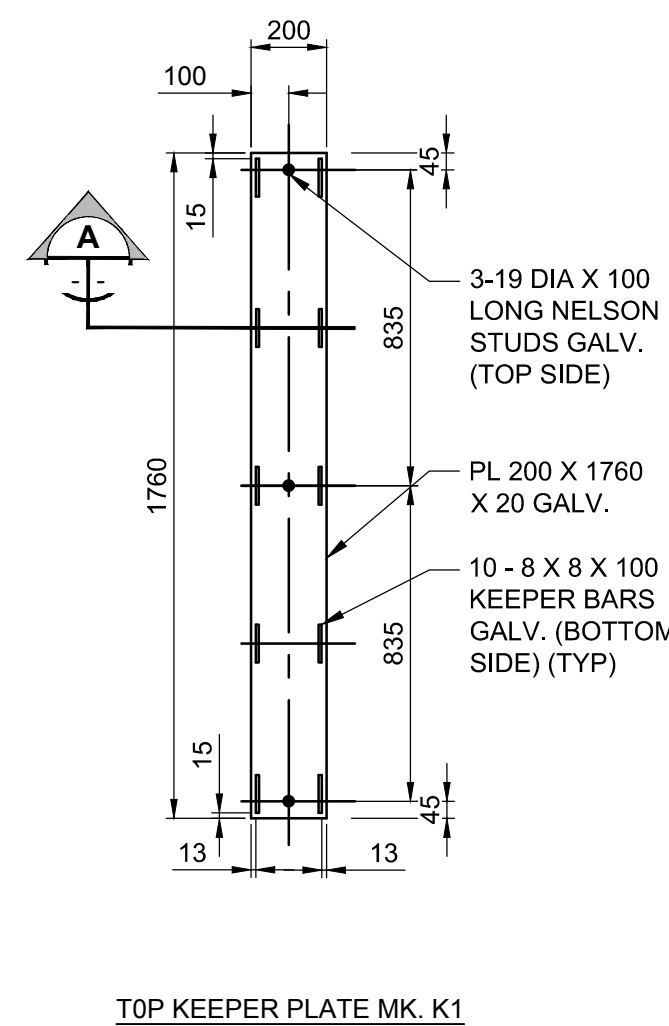


DETAIL - ANCHOR ROD Mk "A2"
SCALE: 1:5

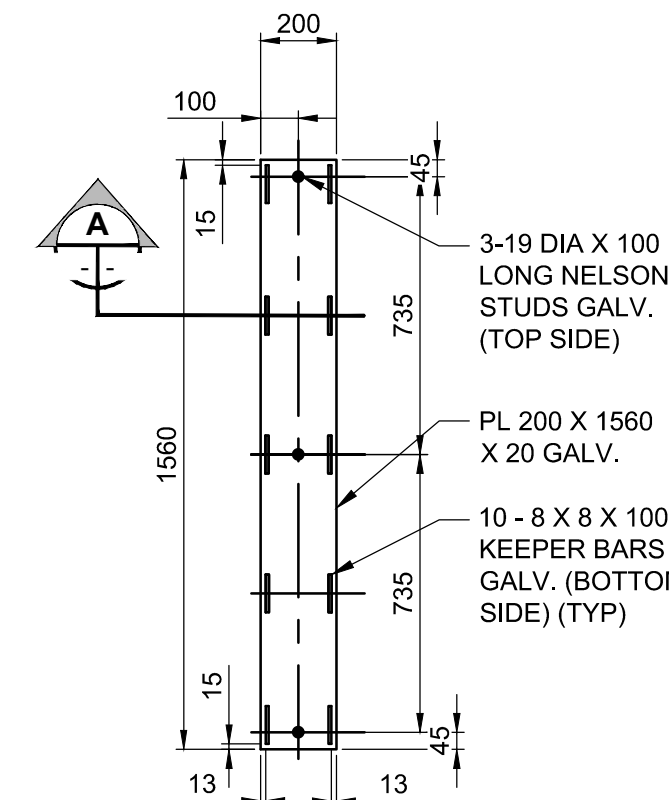
BILL OF MATERIALS - BRIDGE BEARINGS ASSEMBLY	
ITEM	NO.
RETAINING PLATE MK. P1	8
16MM Ø STAINLESS STEEL BOLT 50 LONG, MK. A1	16
LAMINATED ELASTOMERIC BEARING MK. B1	4
TAPERED TOP PLATE MK. P2	2
TAPERED TOP PLATE MK. P3	2
PLAIN ELASTOMERIC BEARING PAD MK. X1	3
PLAIN ELASTOMERIC BEARING PAD MK. X2	4
PLAIN ELASTOMERIC BEARING PAD MK. X3	4
PLAIN ELASTOMERIC BEARING PAD MK. X4	4
TOP KEEPER PLATE MK. K1	4
TOP KEEPER PLATE MK. K2	3
TOP KEEPER PLATE MK. K3	4
TOP KEEPER PLATE MK. K4	4
SHEAR BLOCK MK. SB1	4
ANCHOR ROD MK. A2	8



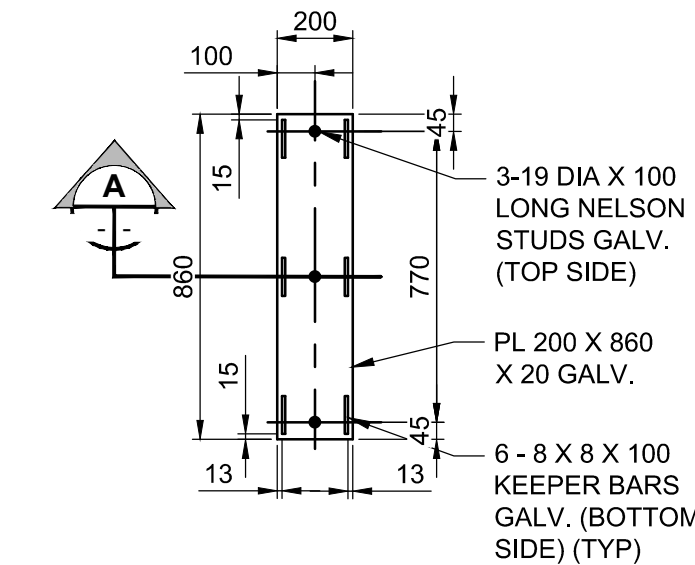
SECTION - PLAIN ELASTOMER TOP KEEPER PLATE
SCALE: 1:5



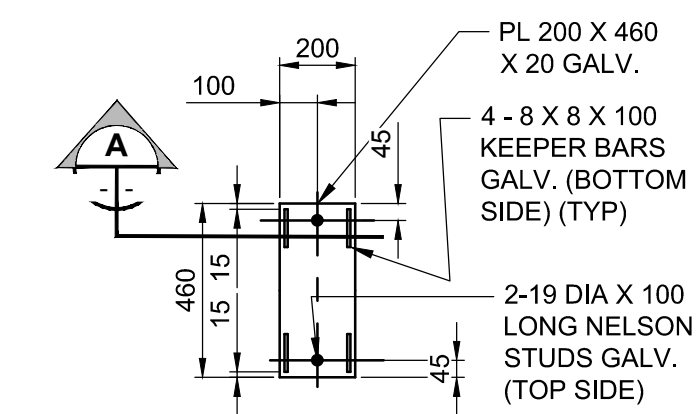
TOP KEEPER PLATE MK. K1



TOP KEEPER PLATE MK. K2



TOP KEEPER PLATE MK. K3



TOP KEEPER PLATE MK. K4

PLAN - PLAIN ELASTOMER TOP KEEPER PLATE
SCALE: 1:20



METRIC
WHOLE NUMBERS INDICATE MILLIMETRES
DECIMALIZED NUMBERS INDICATE METRES

LOCATION APPROVED
UNDERGROUND STRUCTURES

SUPR. U/G STRUCTURES COMMITTEE DATE

NOTE:
LOCATION OF UNDERGROUND STRUCTURES AS SHOWN ARE BASED ON THE BEST INFORMATION AVAILABLE BUT NO GUARANTEE IS GIVEN THAT ALL EXISTING UTILITIES ARE SHOWN OR THAT THE GIVEN LOCATIONS ARE EXACT. CONFIRMATION OF EXISTENCE AND EXACT LOCATION OF ALL SERVICES MUST BE OBTAINED FROM THE INDIVIDUAL UTILITIES BEFORE PROCEEDING WITH CONSTRUCTION.

No.	REVISIONS	DATE	BY
0	ISSUED FOR TENDER	17/10/13	DAN

MORRISON HERSHFIELD	
DESIGNED BY: TN	CHECKED BY: DAN
DRAWN BY: AH	APPROVED BY: BE
HOR SCALE: AS SHOWN	RELEASED FOR CONSTRUCTION
VERT SCALE: AS SHOWN	DATE: 17/10/13

PROFESSIONAL'S SEAL
PROVINCE OF MANITOBA
REGISTERED PROFESSIONAL ENGINEER
D.A. NELSON
Member
37248
CONSULTANT FILE NAME
S:\170563 - DD08&09 - BRG DT 1.dwg

THE CITY OF WINNIPEG
 PUBLIC WORKS DEPARTMENT
 ENGINEERING DIVISION
TACHE PROMENADE TREETOP LOOKOUT
 BEARING DETAILS - 2

CITY DRAWING NUMBER B250-17-35
SHEET 35 OF 70
DRAWING No. REV 09 0

BID OPPORTUNITY No. 754-2017