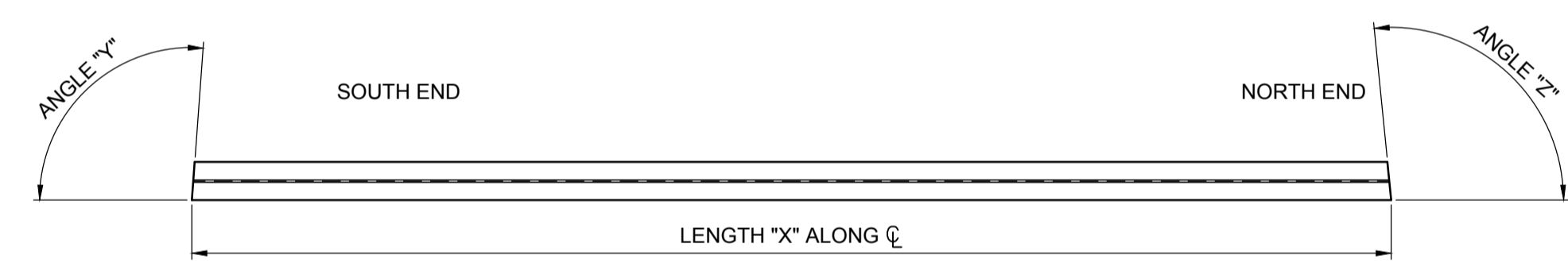
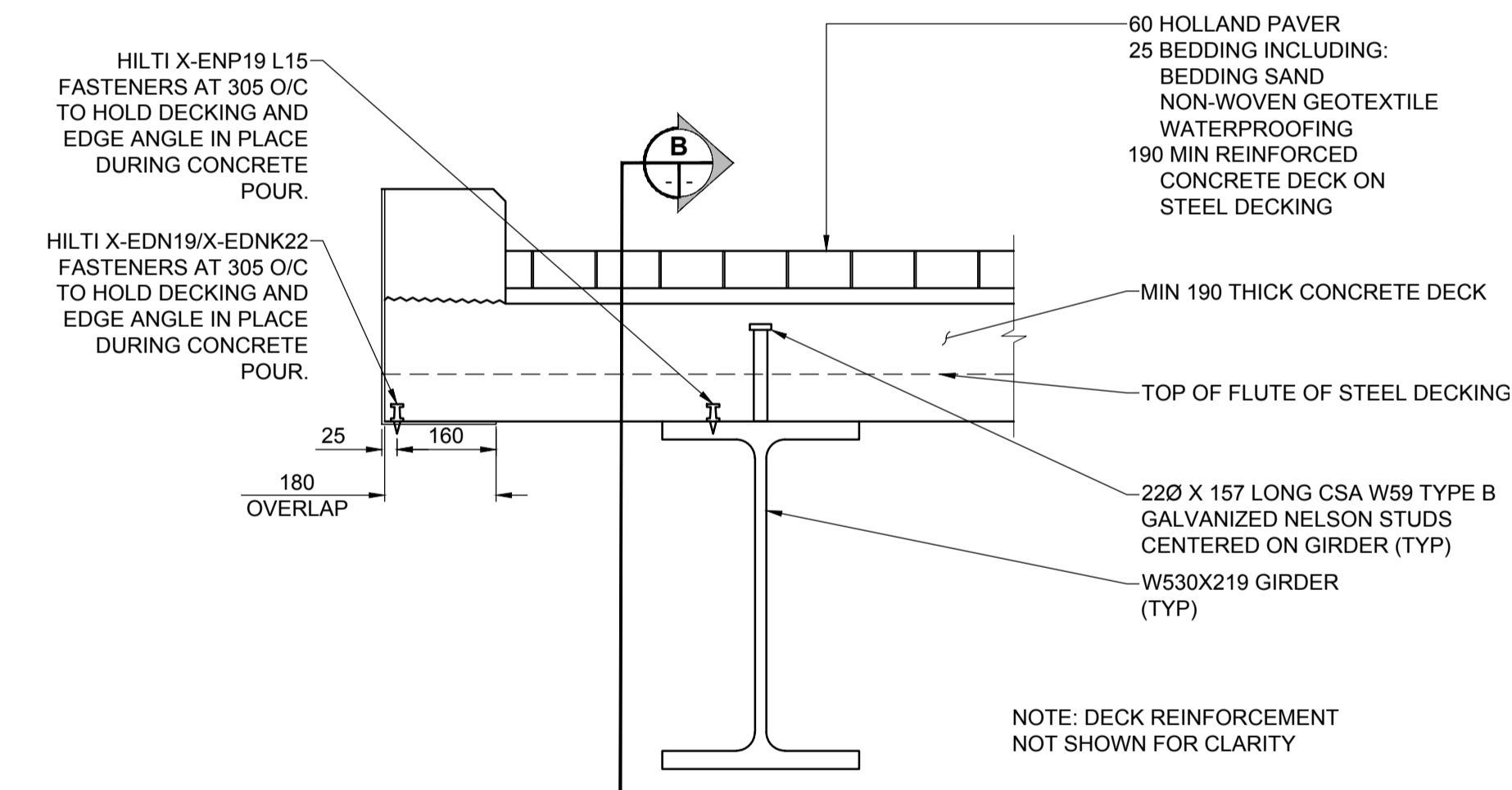


GIRDERS, PIER BEAMS, AND INTERMEDIATE AND END DIAPHRAGMS LAYOUT

SCALE 1:100
JUMP SLABS NOT SHOWN

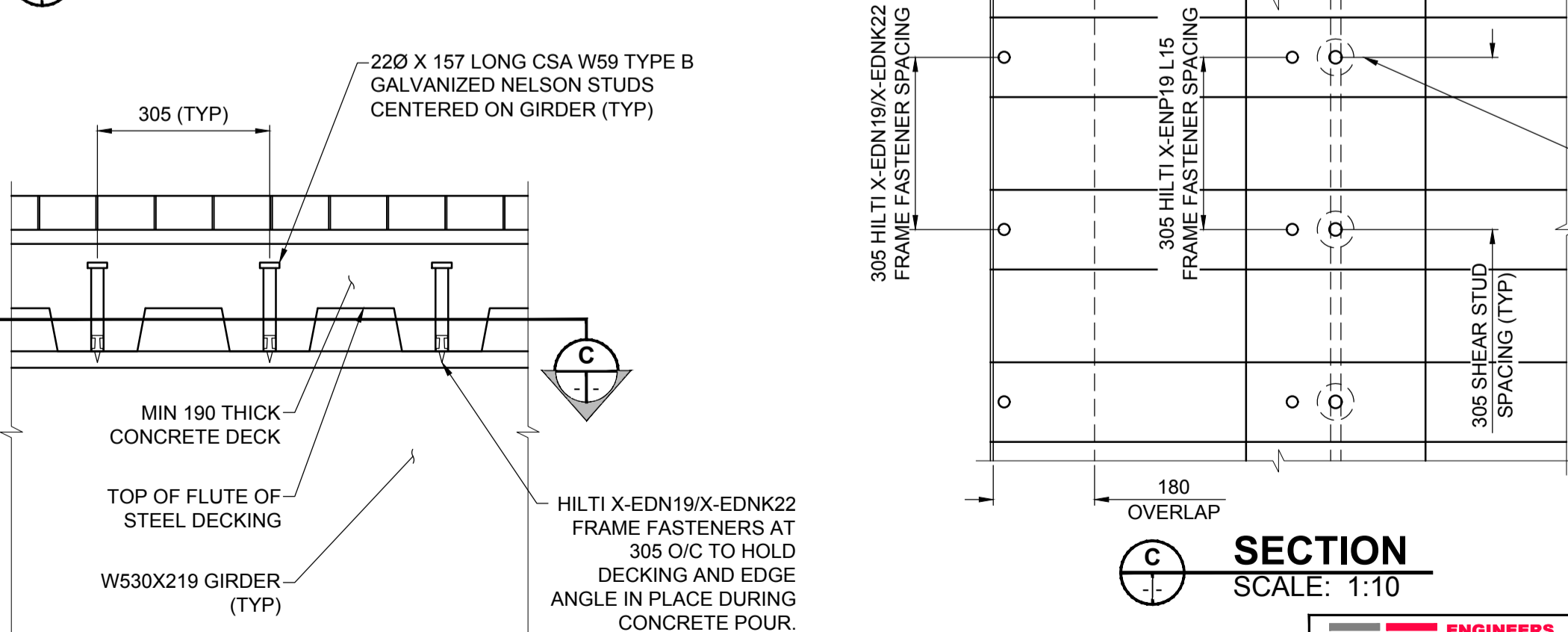


TYPICAL GIRDER

SCALE 1:50

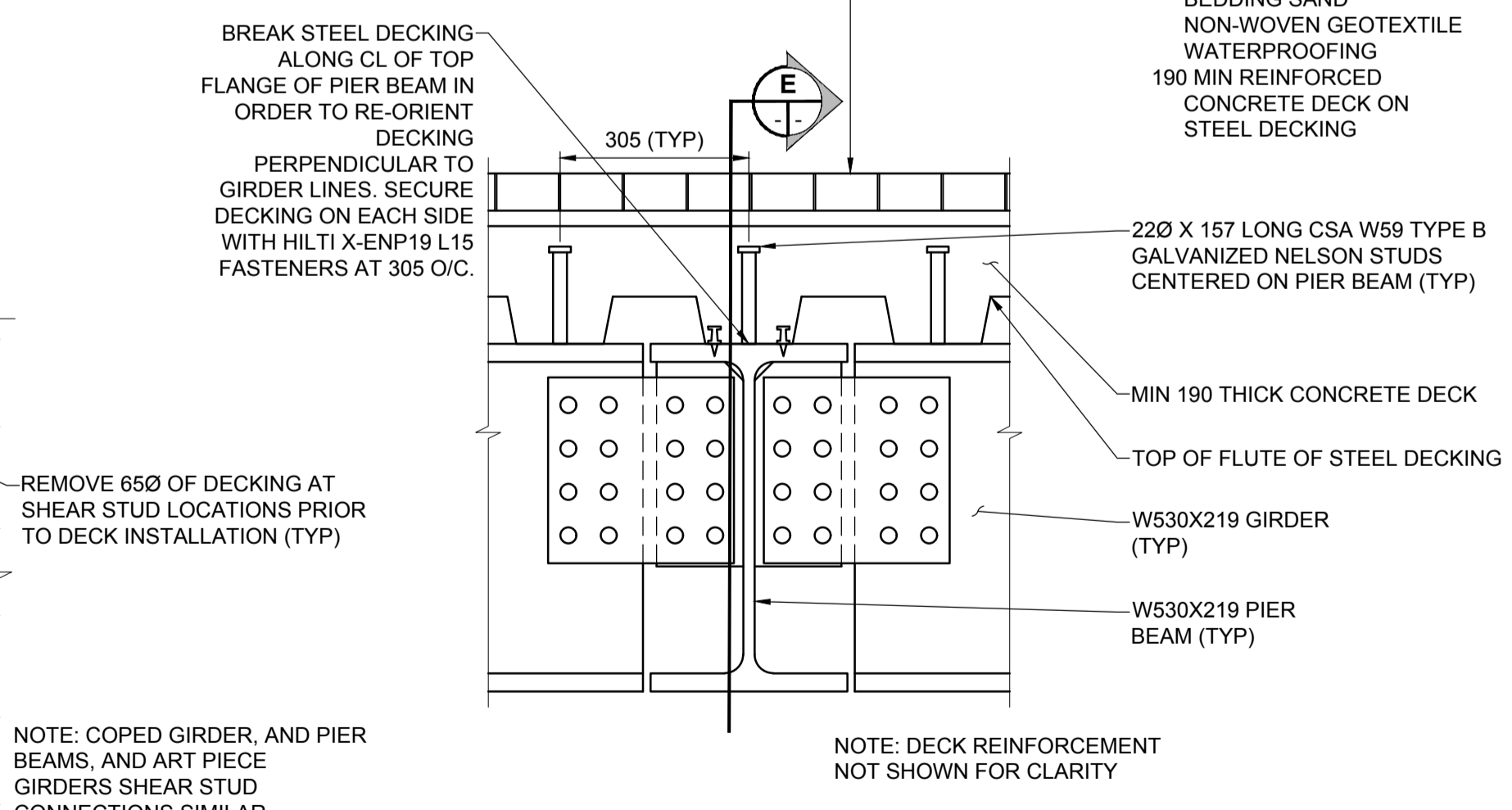
SECTION - GIRDER SHEAR STUD CONNECTION

SCALE: 1:10



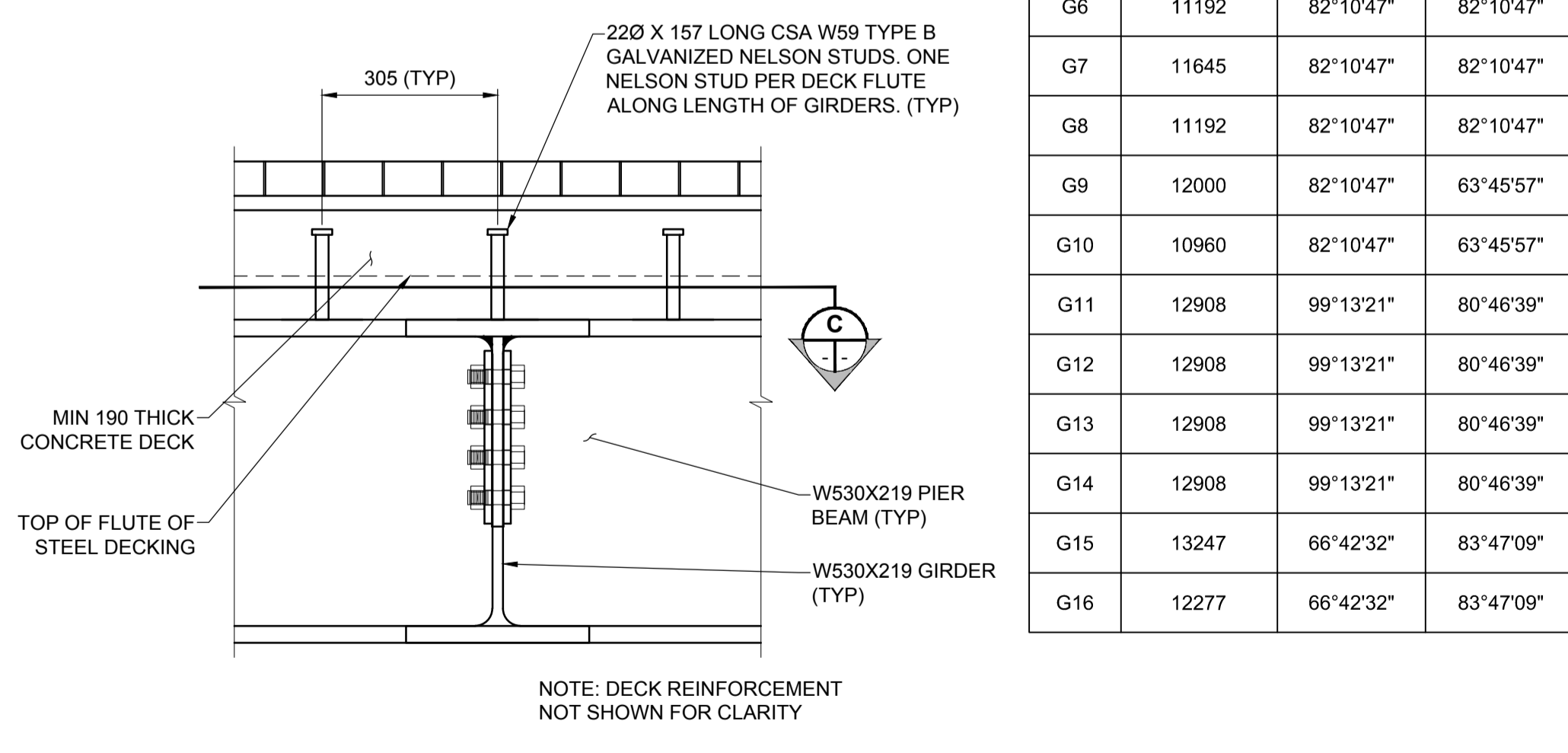
SECTION - GIRDER SHEAR STUD CONNECTION

SCALE: 1:10



SECTION - PIER BEAM SHEAR STUD CONNECTION

SCALE: 1:10



SECTION - PIER BEAM SHEAR STUD CONNECTION

SCALE: 1:10

GIRDER DETAILS			
NO.	GIRDER LENGTH "X" (MM)	GIRDER ANGLE "Y"	GIRDER ANGLE "Z"
G1	9946	94°15'18"	95°38'31"
G2	10258	94°15'18"	95°38'31"
G3	10827	95°23'27"	93°11'44"
G4	11097	95°23'27"	93°11'44"
G5	11645	82°10'47"	82°10'47"
G6	11192	82°10'47"	82°10'47"
G7	11645	82°10'47"	82°10'47"
G8	11192	82°10'47"	82°10'47"
G9	12000	82°10'47"	63°45'57"
G10	10960	82°10'47"	63°45'57"
G11	12908	99°13'21"	80°46'39"
G12	12908	99°13'21"	80°46'39"
G13	12908	99°13'21"	80°46'39"
G14	12908	99°13'21"	80°46'39"
G15	13247	66°42'32"	83°47'09"
G16	12277	66°42'32"	83°47'09"

LOCATION APPROVED
UNDERGROUND STRUCTURES

DATE: _____

NOTE:
LOCATION OF UNDERGROUND STRUCTURES AS SHOWN ARE BASED ON THE BEST INFORMATION AVAILABLE BUT NO GUARANTEE IS GIVEN THAT ALL EXISTING UTILITIES ARE SHOWN OR THAT THE GIVEN LOCATIONS ARE EXACT. CONFIRMATION OF EXISTENCE AND EXACT LOCATION OF ALL SERVICES MUST BE OBTAINED FROM THE INDIVIDUAL UTILITIES BEFORE PROCEEDING WITH CONSTRUCTION.

NO.	REVISIONS	DATE	BY
0	ISSUED FOR TENDER	17/10/13	DAN

MORRISON HERSHFIELD

DESIGNED BY: AG
CHECKED BY: DAN
DRAWN BY: AH
APPROVED BY: BE

HOR SCALE: AS SHOWN
VERT SCALE: AS SHOWN

RELEASED FOR CONSTRUCTION

DATE: 17/10/13

PROFESSIONAL'S SEAL

PROVINCE OF MANITOBA

D.A. NEILSON
Member
37248

REGISTERED PROFESSIONAL ENGINEER

CONSULTANT FILE NAME
5170563 - DD12 - GD - DIA 1.dwg

THE CITY OF WINNIPEG
PUBLIC WORKS DEPARTMENT
ENGINEERING DIVISION

TACHE PROMENADE TREETOP LOOKOUT

GIRDERS AND DIAPHRAGMS 1

CITY DRAWING NUMBER: B250-17-38
SHEET 38 OF 70
DRAWING No. 12

REV 0

ENGINEERS GEOSCIENTISTS MANITOBA

Certificate of Authorization
MORRISON HERSHFIELD
No. 1736

METRIC
WHOLE NUMBERS INDICATE MILLIMETRES
DECIMALIZED NUMBERS INDICATE METRES