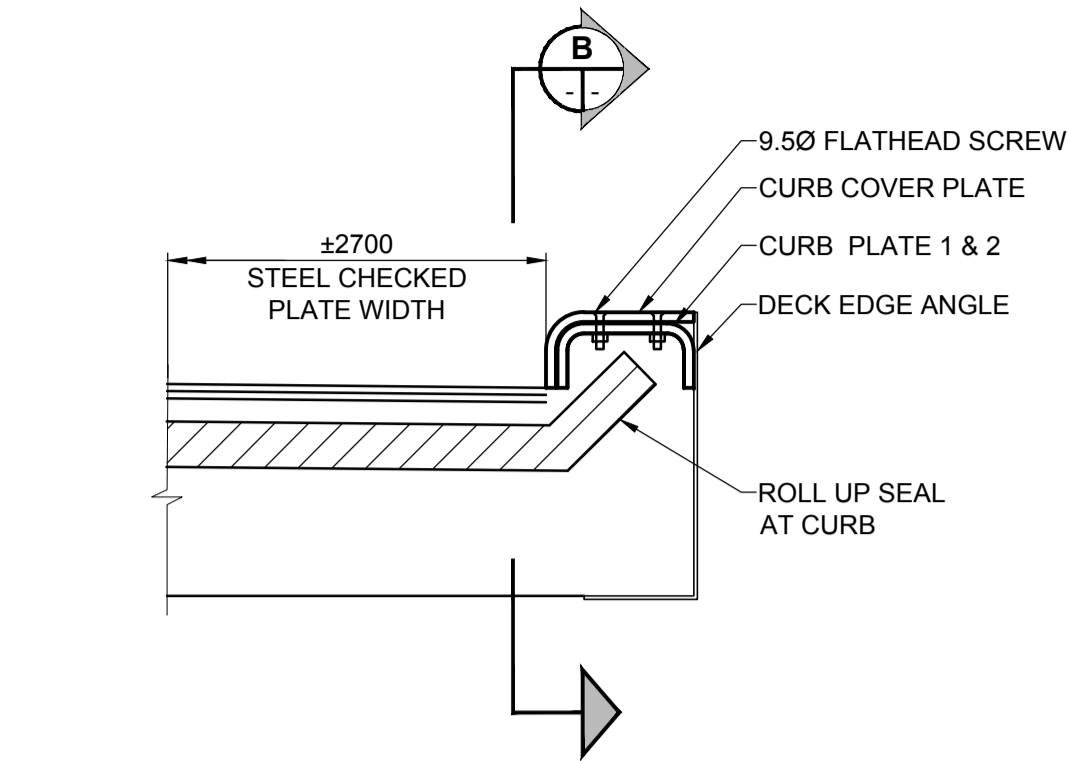
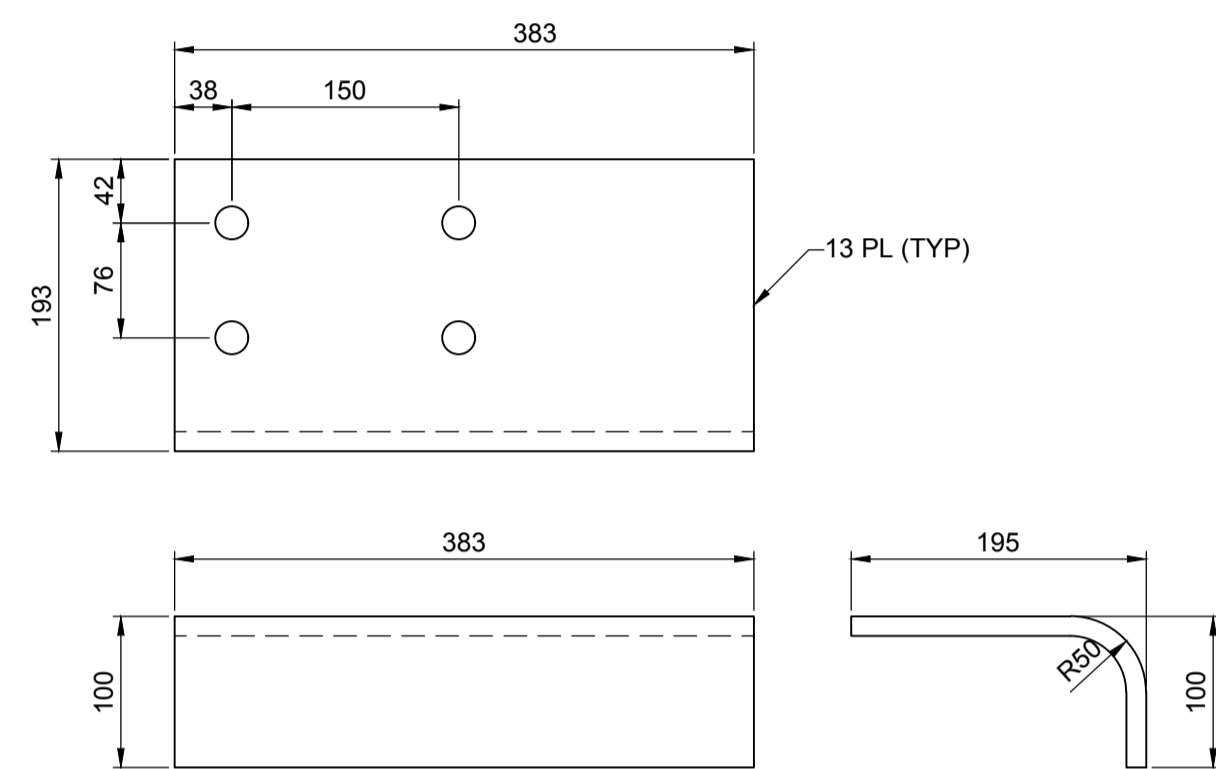


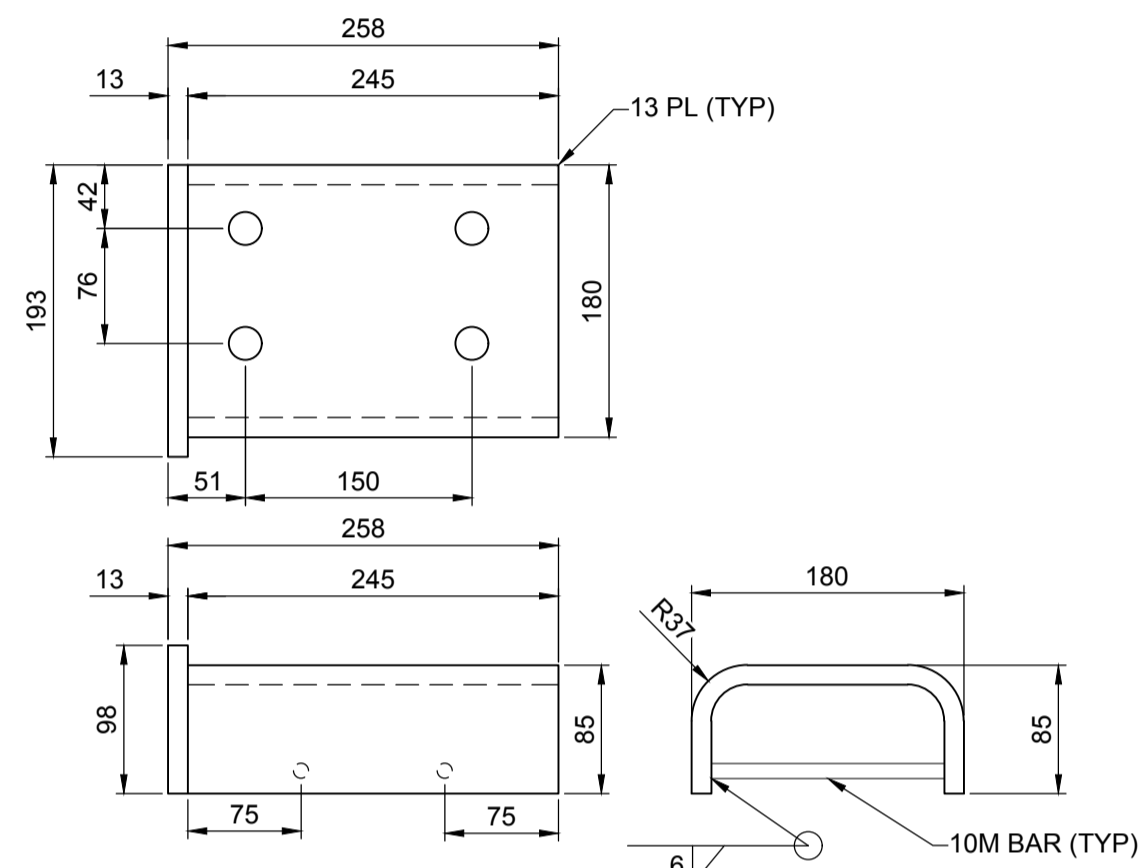
EXPANSION JOINT CROSS SECTION
SCALE: 1:25



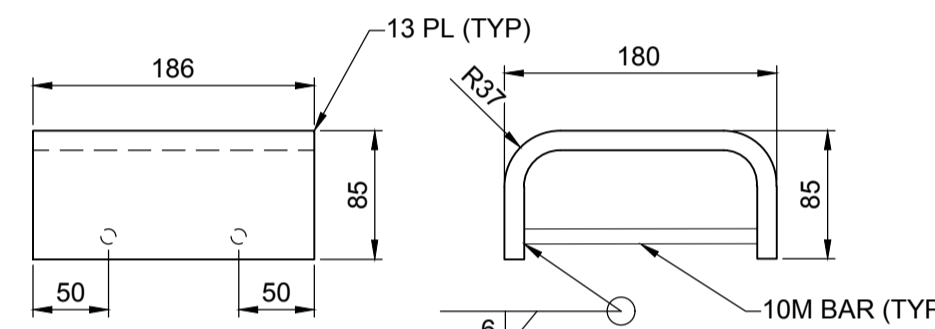
DETAIL - CURB COVER PLATE
SCALE: 1:10



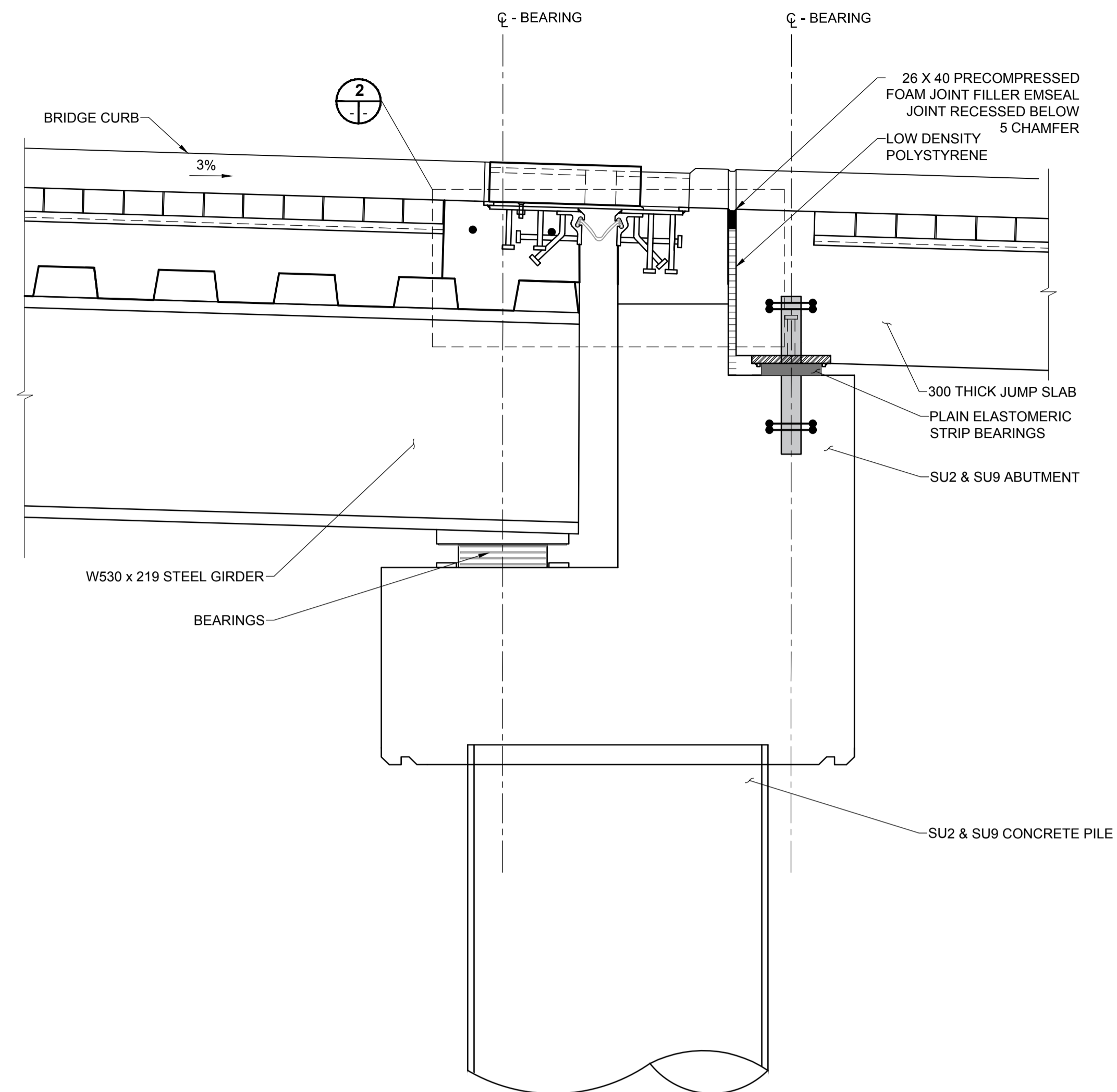
CURB COVER PLATE
SCALE: 1:5
(2 AS SHOWN, 2 OPPOSITE HAND)



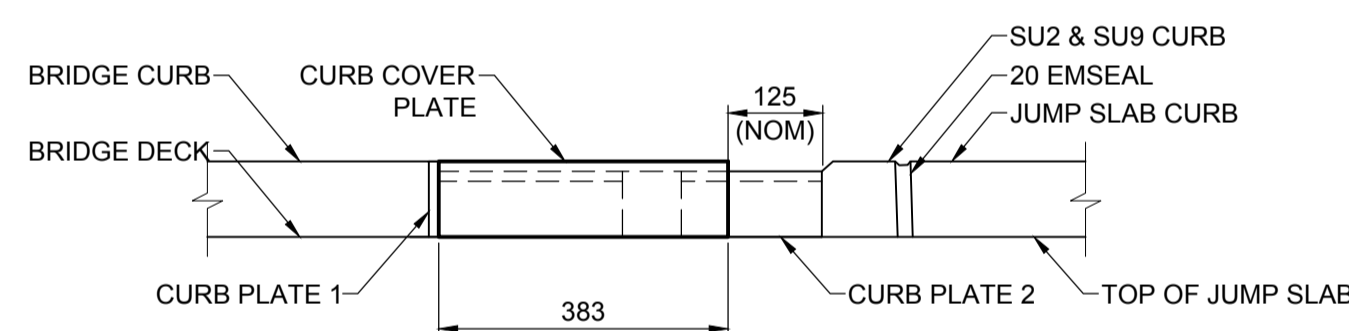
CURB PLATE 1
SCALE: 1:5
(2 AS SHOWN, 2 OPPOSITE HAND)



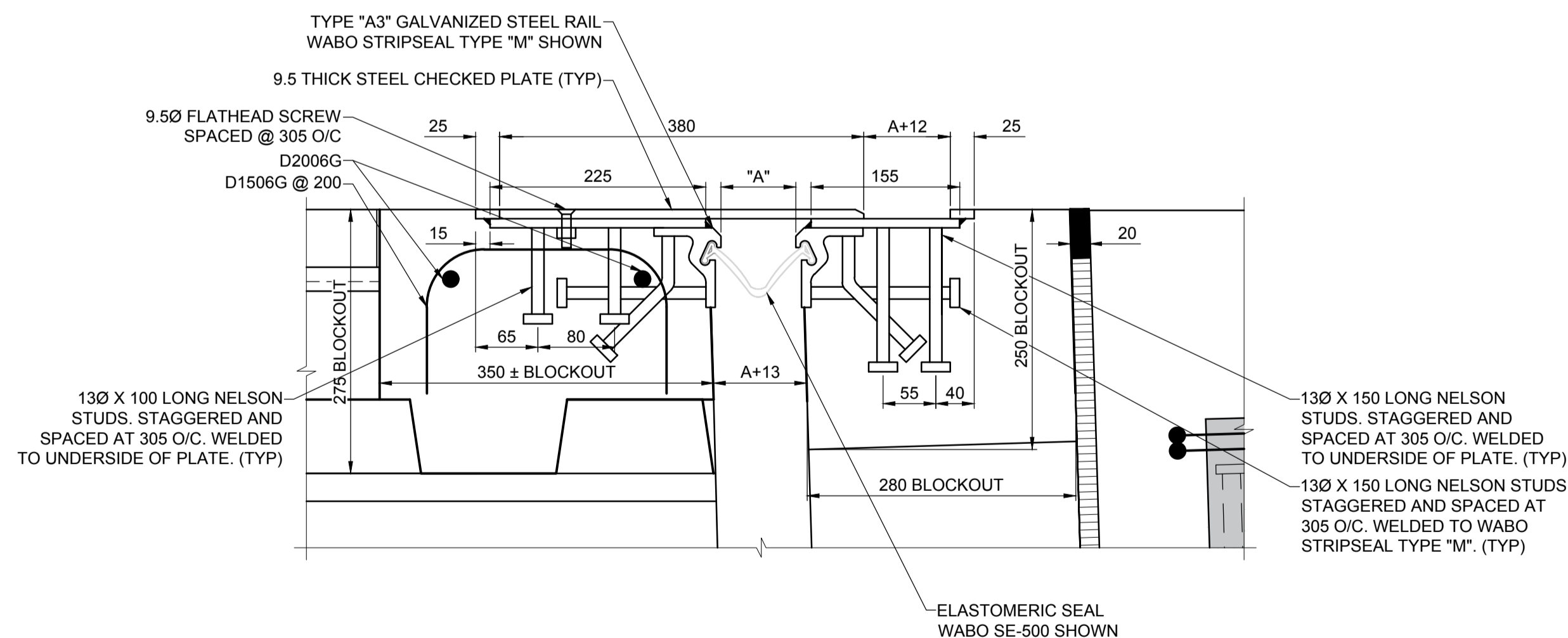
CURB PLATE 2
SCALE: 1:5
(2 AS SHOWN, 2 OPPOSITE HAND)



SECTION - SU2 & SU9
SCALE: 1:10



SECTION - CURB JOINT
SCALE: 1:10



DETAIL - EXPANSION JOINT
SCALE: 1:10

TEMPERATURE ADJUSTMENT TABLE

INSTALLATION TEMPERATURE °C	TEMPERATURE																
	-40	-35	-30	-25	-20	-15	-10	-5	0	5	10	15	20	25	30	35	40
INSTALLATION GAP WIDTH (A)	73	70	67	64	61	58	56	53	50	47	44	42	39	36	33	30	28

MINIMUM INSTALLATION WIDTH FOR SE-500 STRIP SEAL



METRIC
WHOLE NUMBERS INDICATE MILLIMETRES
DECIMALIZED NUMBERS INDICATE METRES

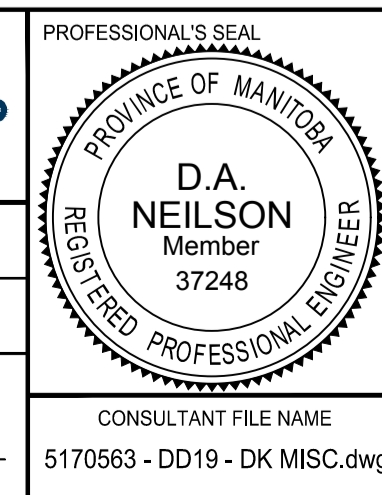
LOCATION APPROVED
UNDERGROUND STRUCTURES

SUPR. U/G STRUCTURES COMMITTEE DATE

NOTE:
LOCATION OF UNDERGROUND STRUCTURES AS SHOWN ARE BASED ON THE BEST INFORMATION AVAILABLE BUT NO GUARANTEE IS GIVEN THAT ALL EXISTING UTILITIES ARE SHOWN OR THAT THE GIVEN LOCATIONS ARE EXACT. CONFIRMATION OF EXISTENCE AND EXACT LOCATION OF ALL SERVICES MUST BE OBTAINED FROM THE INDIVIDUAL UTILITIES BEFORE PROCEEDING WITH CONSTRUCTION.

No.	REVISIONS	DATE	BY
0	ISSUED FOR TENDER	17/10/13	DAN

MORRISON HERSHFIELD	
DESIGNED BY AG	CHECKED BY DAN
DRAWN BY AH	APPROVED BY BE
HOR SCALE AS SHOWN	RELEASED FOR CONSTRUCTION
VERT SCALE AS SHOWN	DATE 17/10/13



THE CITY OF WINNIPEG
PUBLIC WORKS DEPARTMENT
ENGINEERING DIVISION

TACHE PROMENADE TREETOP LOOKOUT

EXPANSION JOINT DETAILS

CITY DRAWING NUMBER B250-17-46
SHEET 46 OF 70
DRAWING No. 20

PROFESSORAL'S SEAL
CONSULTANT FILE NAME
5170563 - DD19 - DK MSC.dwg

BID OPPORTUNITY No. 754-2017