

ELECTRICAL SYMBOL LEGEND

- HAND RAIL LUMINAIRE
- JUNCTION BOX - SIZE AS SPECIFIED
- ELECTRICAL PANEL
- - - INDICATES CONDUIT
- ◇ (TYP.) ELECTRICAL DRAWING NOTES

ELECTRICAL DRAWING LIST

- E1.0 ARTWORK CONNECTION - ELECTRICAL
- E1.1 SITE PLAN - ELECTRICAL
- E1.2 BELEVEDERE AND PROMENADE - ELECTRICAL

ABBREVIATIONS

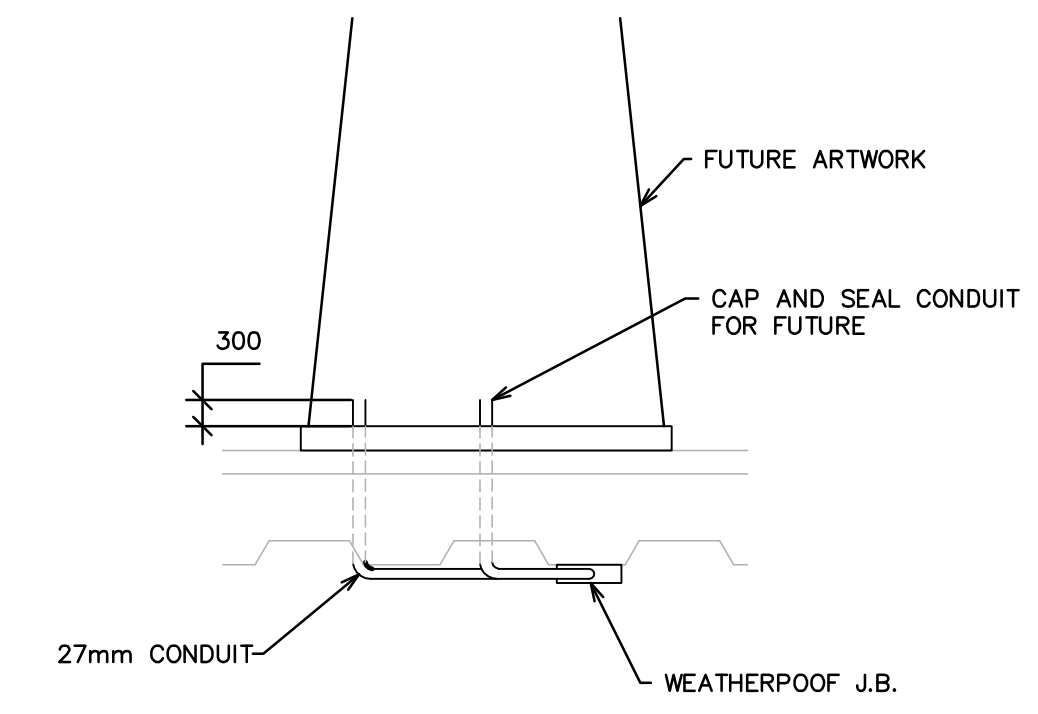
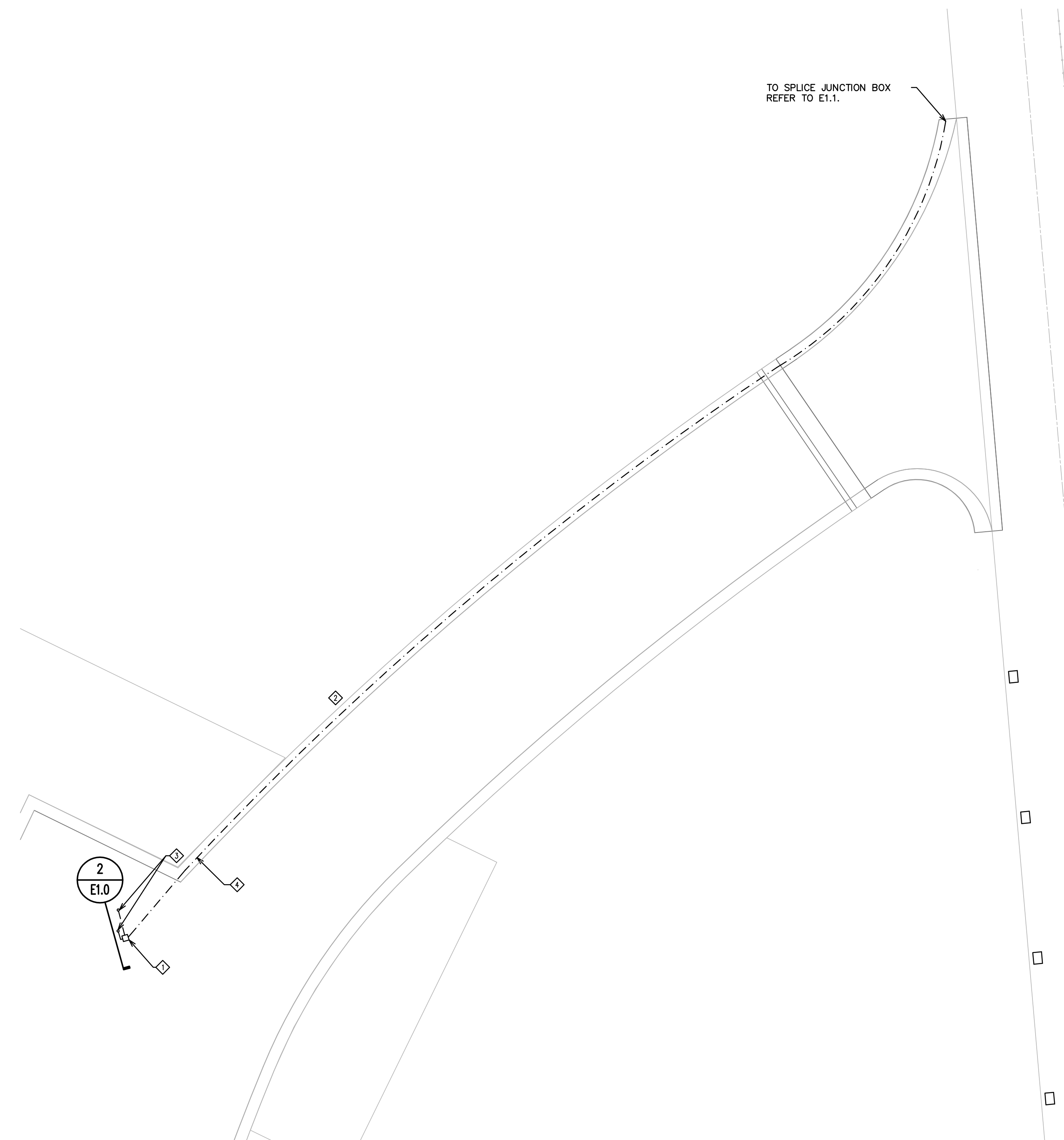
- A - AMPERES
- CNDT - CONDUIT
- CSTE - CUSTOMER SERVICE TERMINATION ENCLOSURE
- LTG - LIGHTING
- MTD - MOUNTED
- NIC - NOT IN CONTRACT
- NTS - NOT TO SCALE
- TYP - TYPICAL
- V - VOLT
- WP - WEATHERPROOF

GENERAL NOTES:

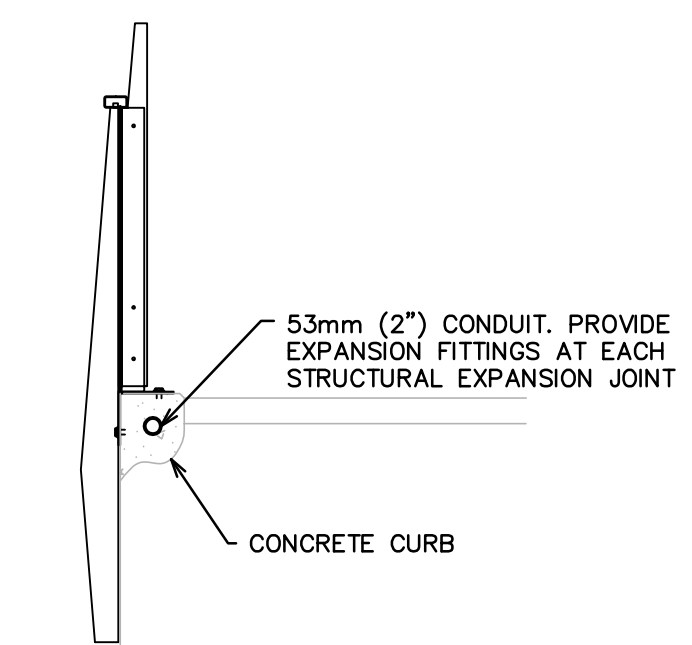
1. ENSURE ALL CONDUITS, JUNCTION BOXES, FITTINGS ETC ARE WEATHER SEALED AND CAPPED FOR FUTURE CONNECTION(S).

NOTES:

- ◇ PROVIDE 100mm x 100mm (4"x4") WEATHERPROOF J.B. MOUNTED TO UNDERSIDE OF STRUCTURE C/W WEATHERPROOF CONDUIT FITTINGS.
- ◇ CONDUIT SHALL BE 53mm (2") PVC CAST INTO TERMINUS POST CONCRETE SUPPORT. REFER TO DETAIL 3/E1.0.
- ◇ STUB UP EACH CONDUIT 300mm (1') ABOVE FINISHED CONCRETE AND CAP FOR FUTURE ARTWORK CONNECTION.
- ◇ CONDUIT SHALL TRANSITION FROM CONCRETE CURB TO U/S OF STRUCTURAL DECK. COORDINATE LOCATION OF TRANSITION WITH STRUCTURAL.



2 ARTWORK ELECTRICAL CONNECTION DETAIL
E1.0 SCALE: N.T.S.



3 ELECTRICAL PATHWAY DETAIL
E1.0 SCALE: N.T.S.

1 ARTWORK CONNECTION - ELECTRICAL LAYOUT
E1.0 SCALE: 1:50



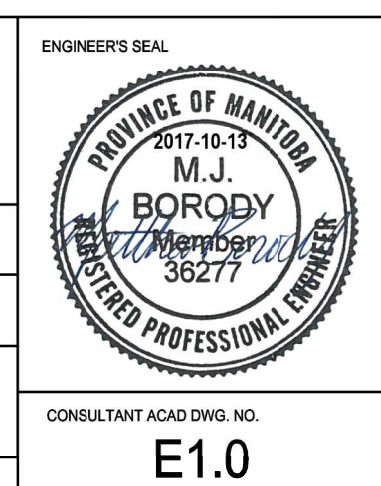
BID OPPORTUNITY No. 754-2017

Oct 13, 2017 - 11:53am
 P:\11953\11953\00 Drawings\01 Elec\11953 - E1.0.dwg - Job E1.0



LOCATIONS APPROVED UNDERGROUND STRUCTURES			
SIGNED BY:	DATE	SUPV U/G STRUCTURES	DATE
LOCATION OF UNDERGROUND STRUCTURES AS SHOWN ARE BASED ON THE BEST INFORMATION AVAILABLE BUT NO GUARANTEE IS GIVEN THAT ALL EXISTING UTILITIES ARE SHOWN OR THAT THE GIVEN LOCATIONS ARE EXACT CONFIRMATION OF EXISTENCE AND EXACT LOCATION OF ALL SERVICES MUST BE OBTAINED FROM THE INDIVIDUAL UTILITIES BEFORE PROCEEDING			
NO.	ISSUED FOR TENDER	DATE	BY
0	ISSUED FOR TENDER	17/10/13	MJB
NO.	REVISIONS	DATE	BY

HTFC PLANNING & DESIGN			
DESIGNED BY	CHECKED BY	APPROVED BY	RELEASED FOR CONSTRUCTION
MJB	EG	MJB	
MJB			
HOR. SCALE	AS NOTED	VERTICAL	AS NOTED
NO.	DATE	DATE	DATE
		17/10/13	



THE CITY OF WINNIPEG PUBLIC WORKS DEPARTMENT ENGINEERING DIVISION		CITY DRAWING NUMBER B250-17-68	
		SHEET 68 OF 70	
TACHE PROMENADE ARTWORK ELECTRICAL CONNECTION		DRAWING No. REV 01 0	