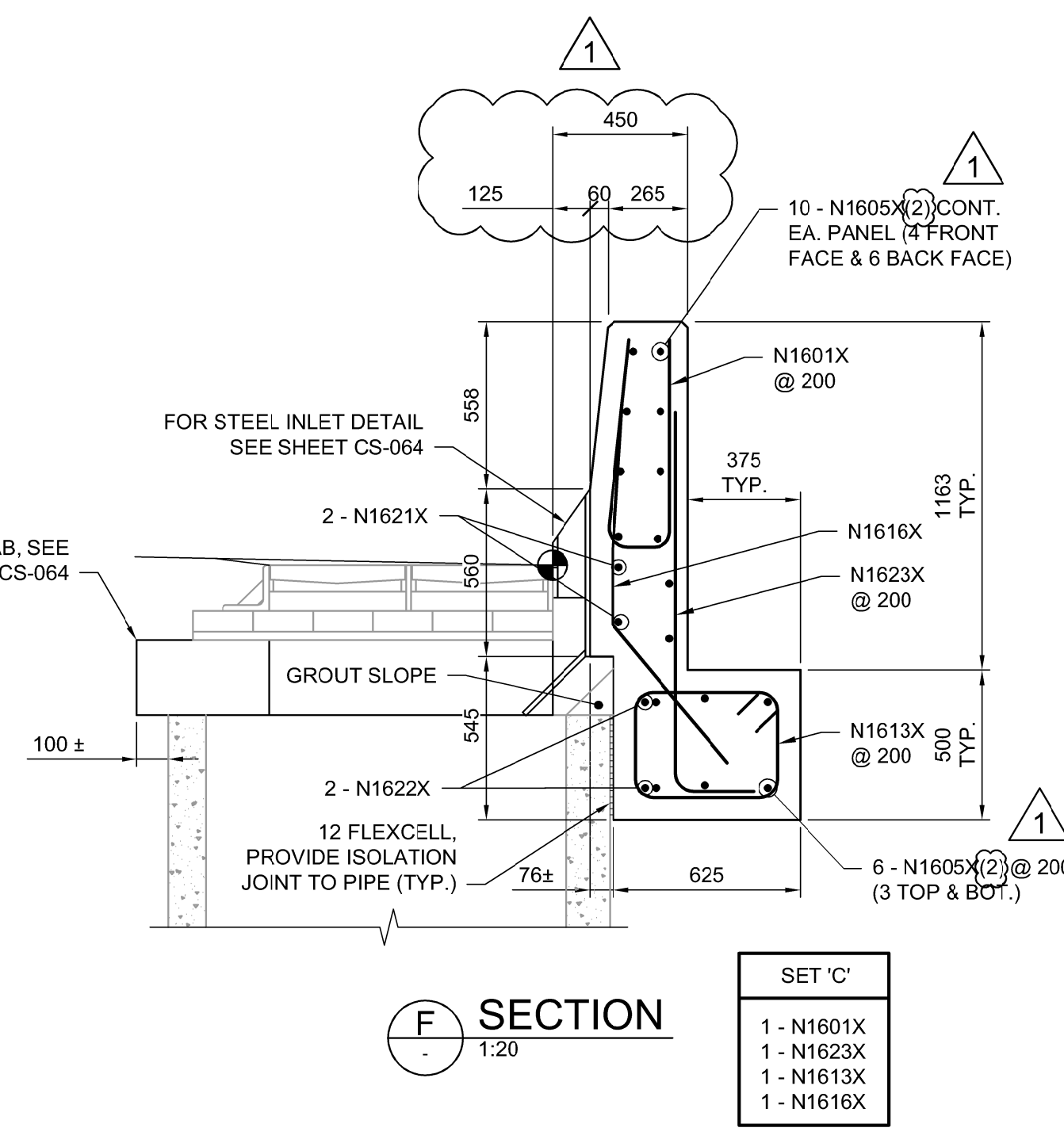
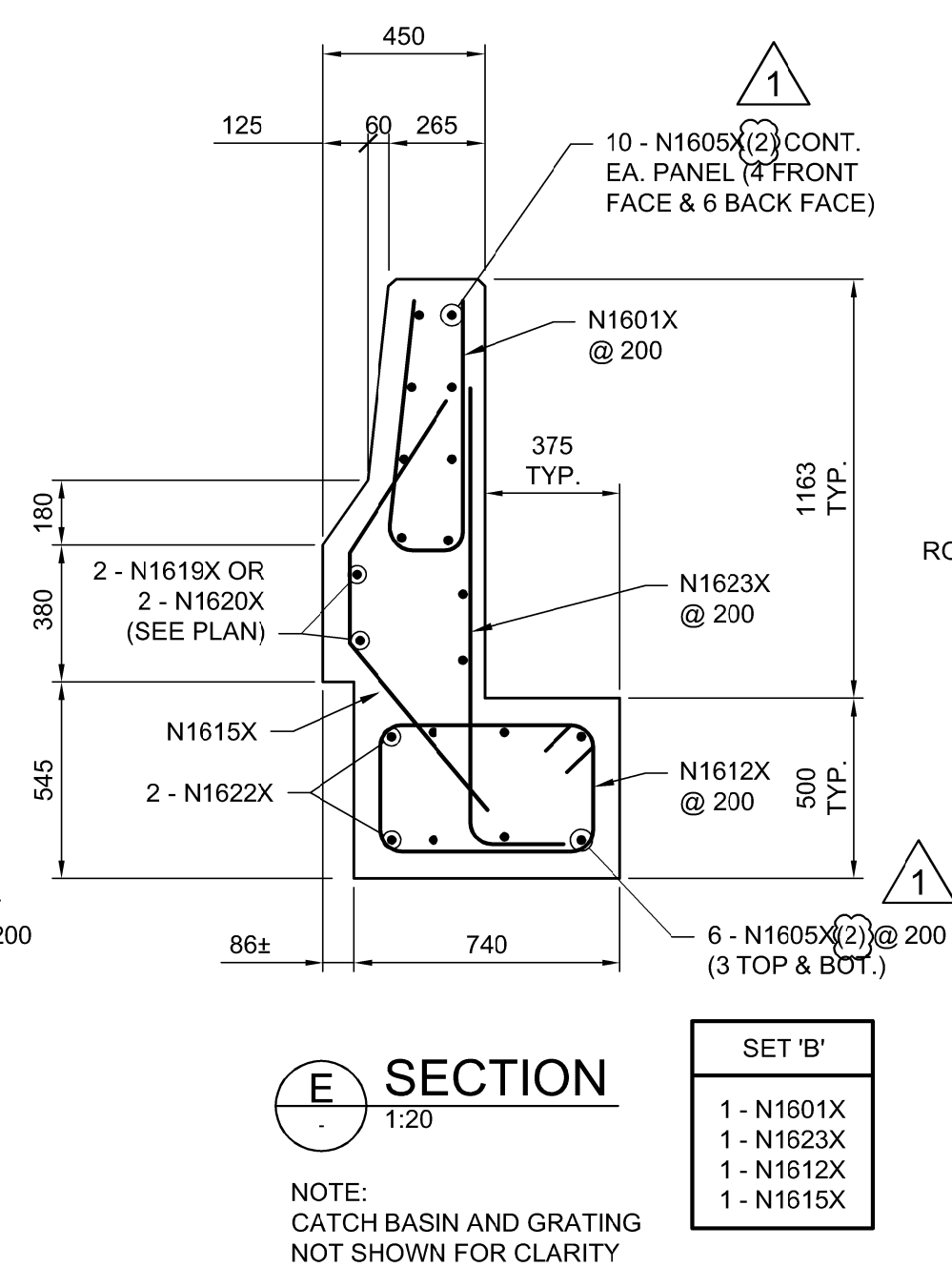
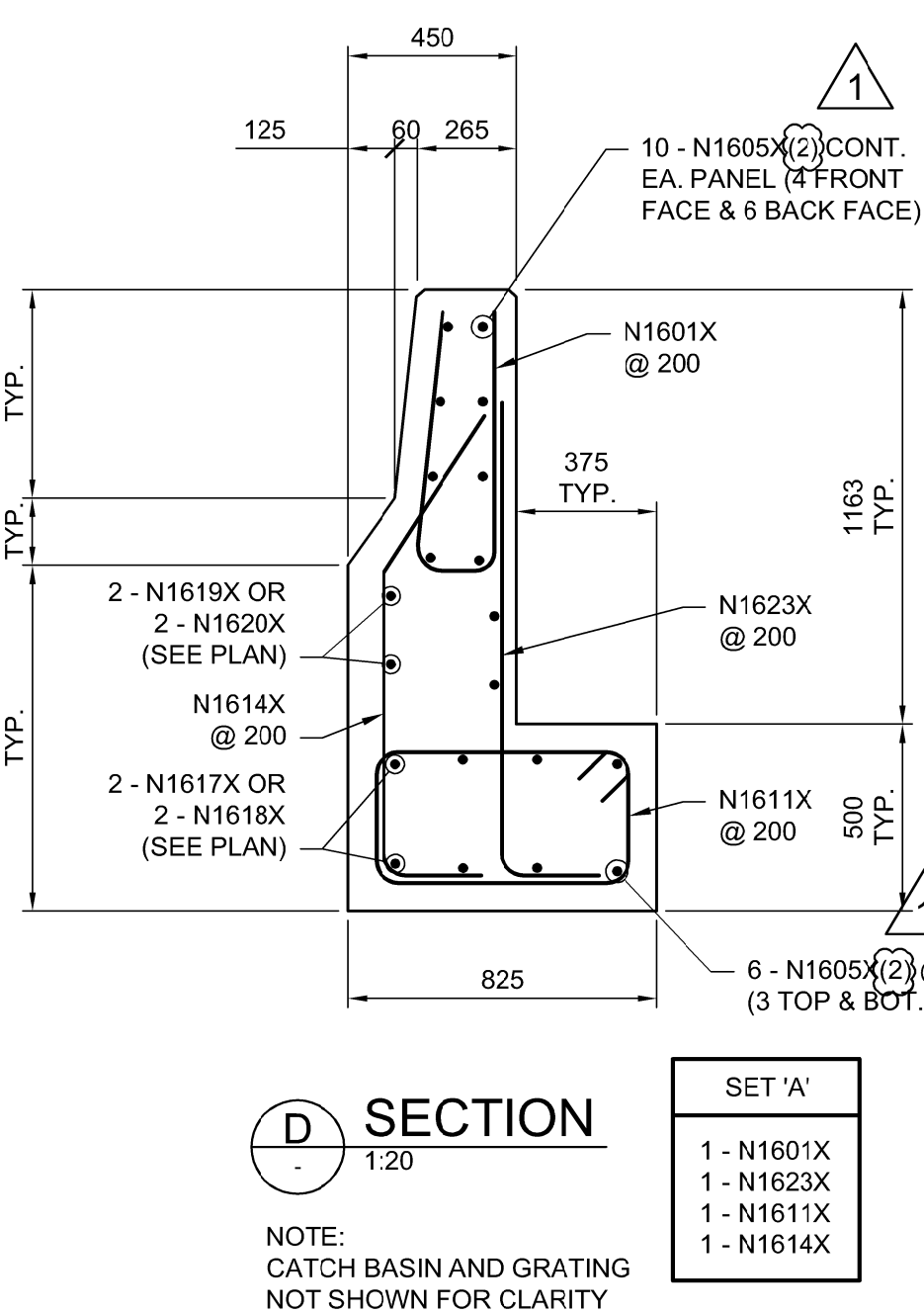
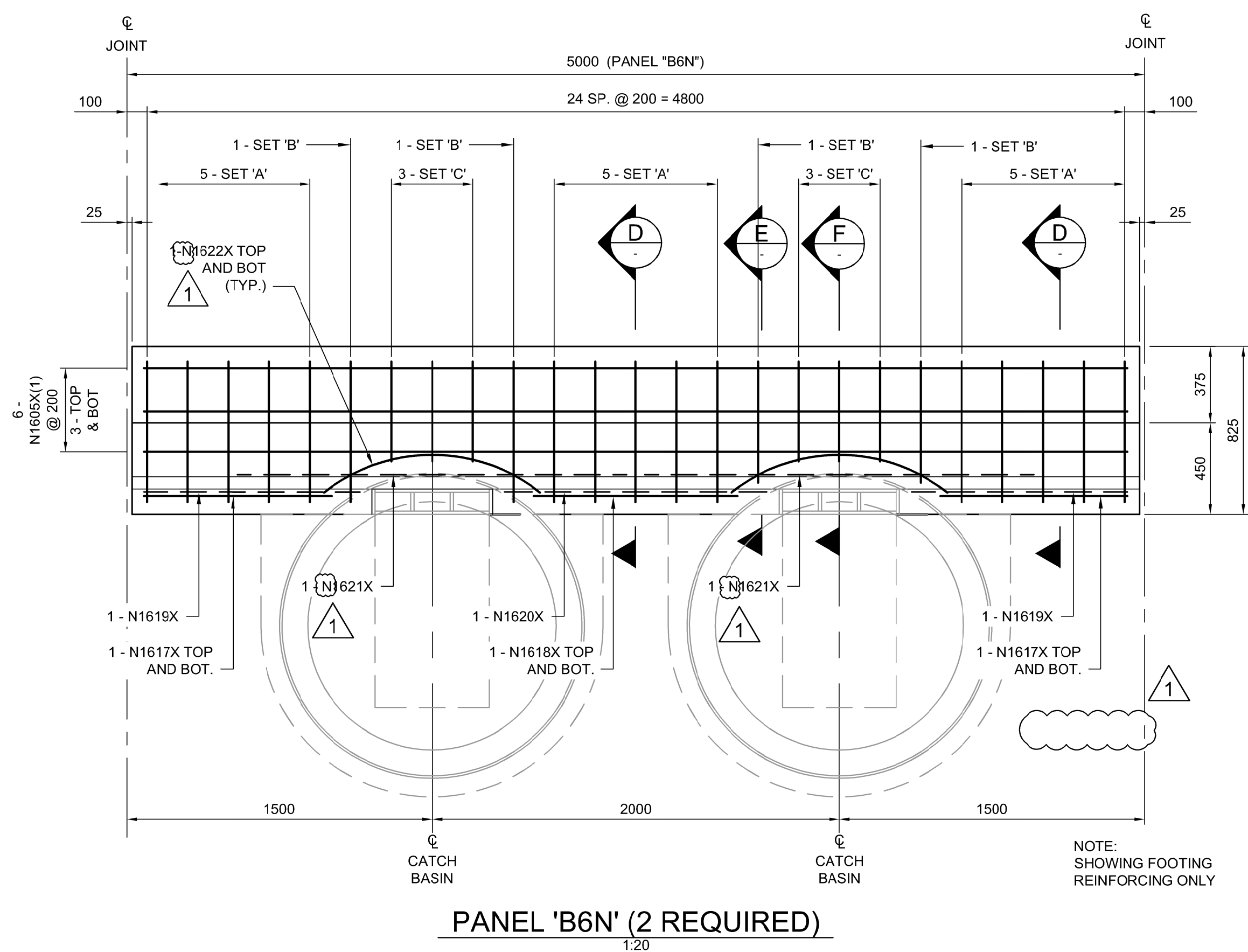


- NOTES:**
1. ALL EXPOSED EDGES TO BE CHAMFERED 20 mm UNLESS NOTED OTHERWISE.
 2. FOR STANDARD JOINT DETAILS, REFER TO SHEET CS-063.
 3. REFER SHEET No. CT-002 FOR CONTROL LINE GEOMETRY
 4. REFER TO SHEET CT-053 AND CT-054 FOR TYPICAL ROAD CROSS SECTIONS.



G:\CAD\175932\Drawings\Structural\Contract\BRIDGE\175932-CON-CS-ROADWAY NORTH SHOULDER BARRIER DETAILS 2.dwg



NO.	REVISIONS	DATE	BY
1	ADDENDUM #5	18/03/16	DRA
0	ISSUED FOR TENDER	18/02/09	DRA

DESIGNED BY	CHECKED BY
DRA	SSR
DRAWN BY	APPROVED BY
CGC	MBL
HOR. SCALE	RELEASED FOR CONSTRUCTION
AS SHOWN	
VERTICAL	DATE
AS SHOWN	2018/02/09

ENGINEER'S SEAL

PROVINCE OF MANITOBA

D.R.C. AMORIM

Member 33215

REGISTERED PROFESSIONAL ENGINEER

CONSULTANT PROJECT NUMBER

17-5932

THE CITY OF WINNIPEG
PUBLIC WORKS DEPARTMENT

FERMOR AVENUE BRIDGE OVER SEINE RIVER
BRIDGE RE-HABILITATION, PEDESTRIAN-CYCLIST UNDERPASS STRUCTURE AND ROADWORKS FROM ST. ANNE'S ROAD TO ARCHIBALD STREET

CITY DRAWING NUMBER
U-243-2017-CS-060

SHEET 060 OF 100

CONSULTANT DRAWING NUMBER
CS-060

ROADWAY NORTH SHOULDER
BARRIER DETAILS 2 OF 2