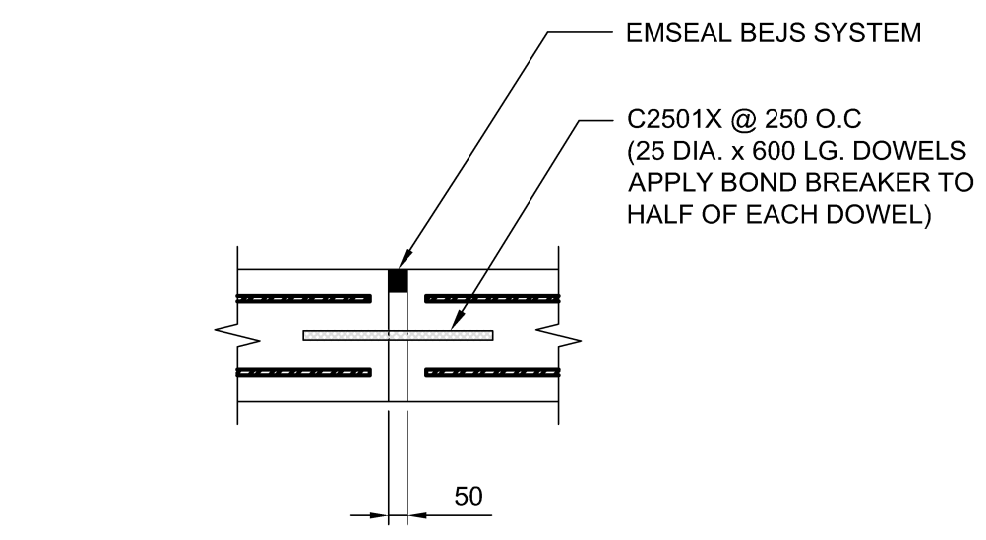
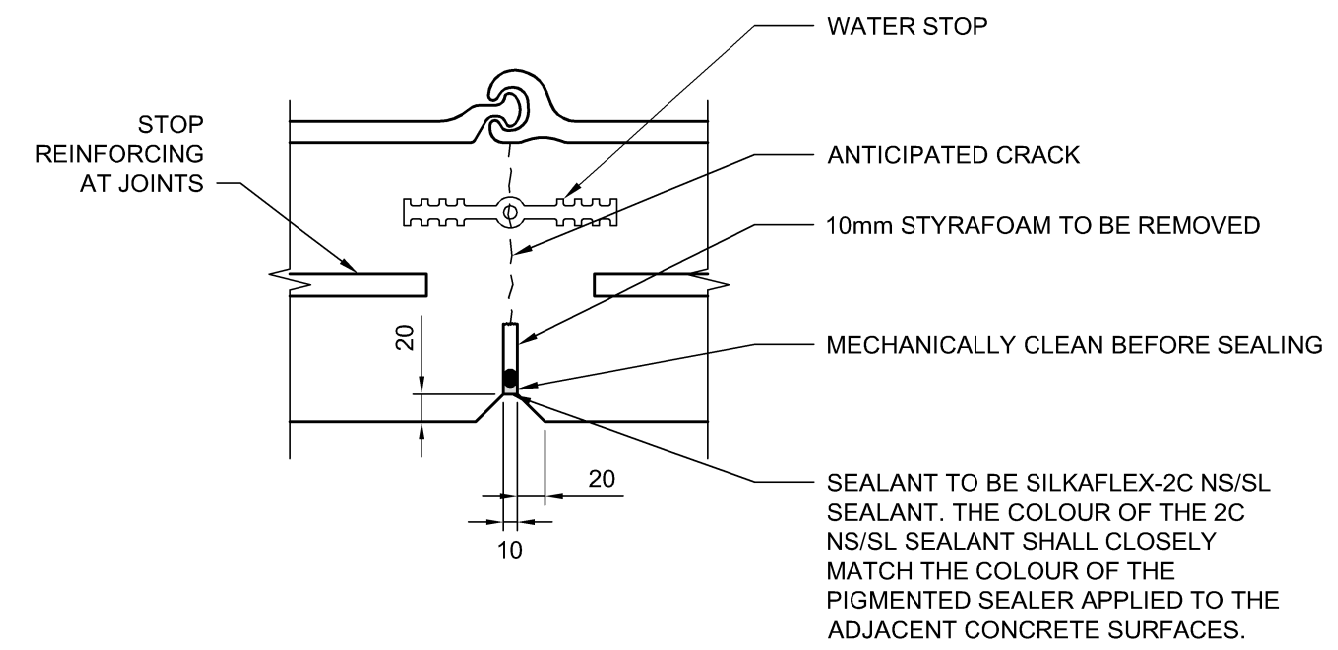


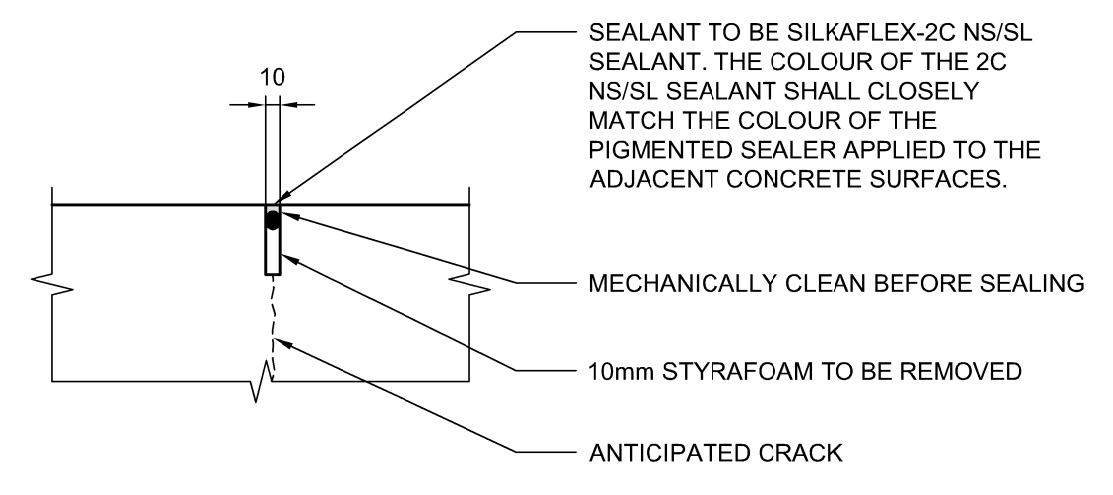
COPING - CONTROL JOINT
1:20
SPACED AT 4.248 METRES O.C.
(TO MATCH JOINTS IN RETAINING WALL CONCRETE CLADDING)



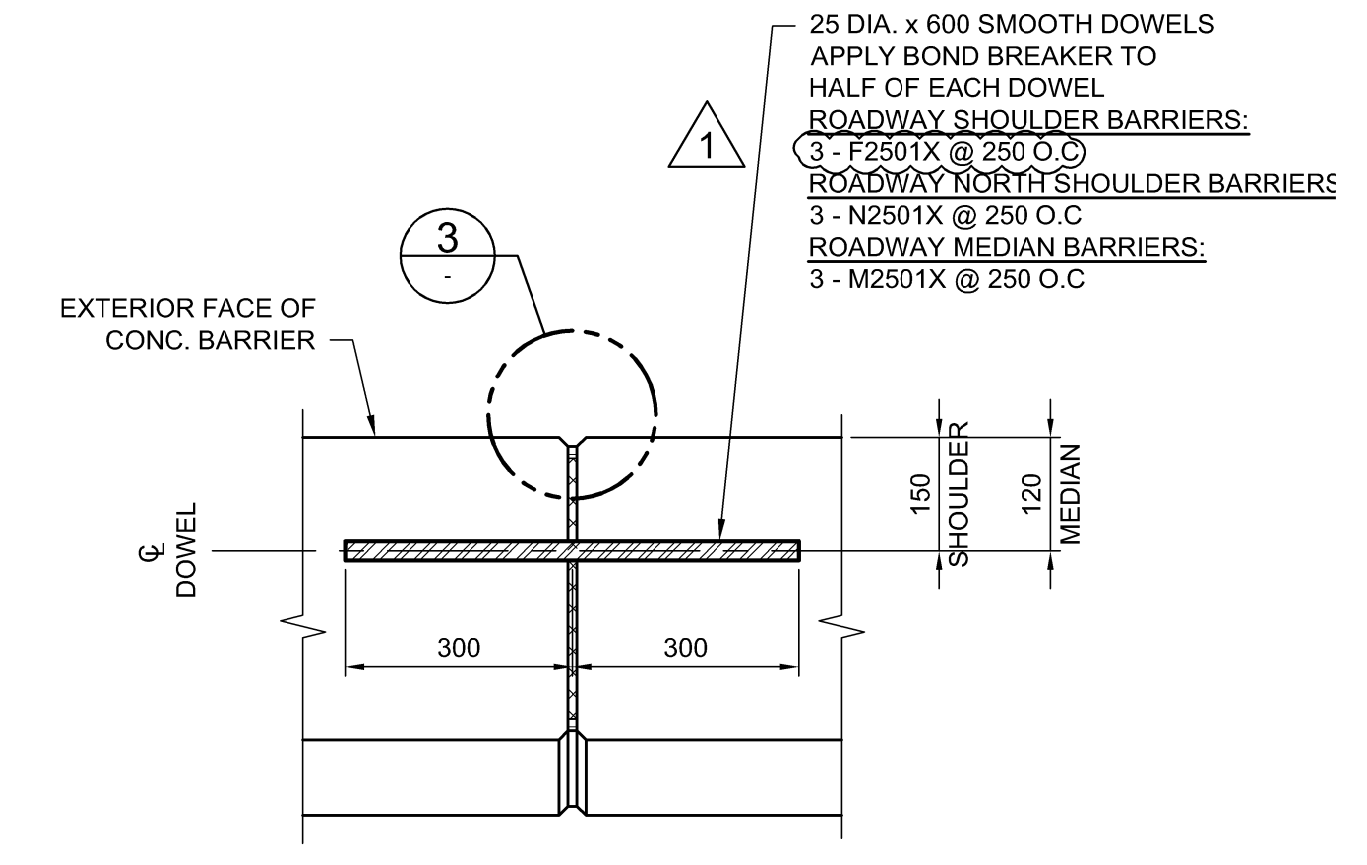
COPING - EXPANSION JOINTS
1:20
SPACED AT MAX 42.48 METRES O.C.



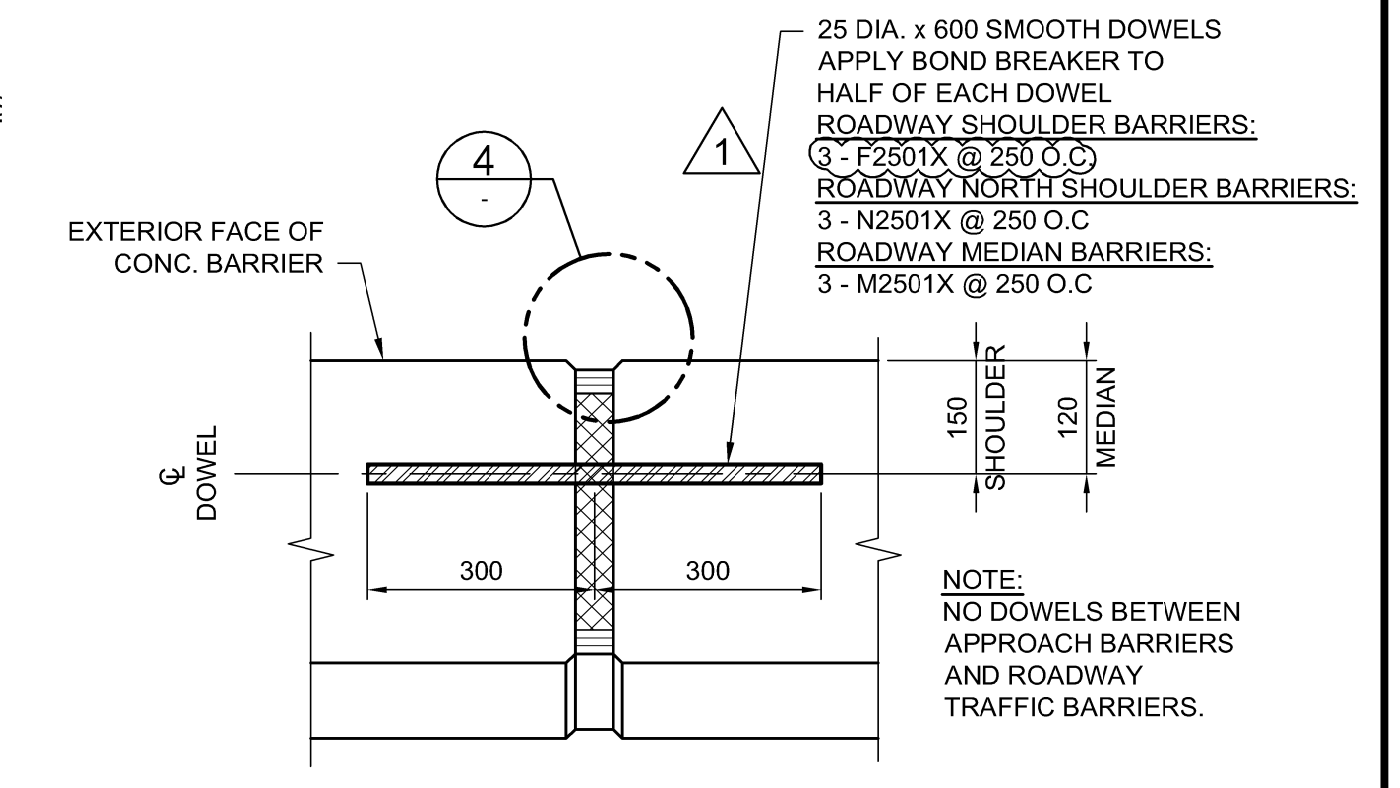
1 **DETAIL - CONCRETE CLADDING**
1:5
SPACED AT 4.248 METRES O.C.



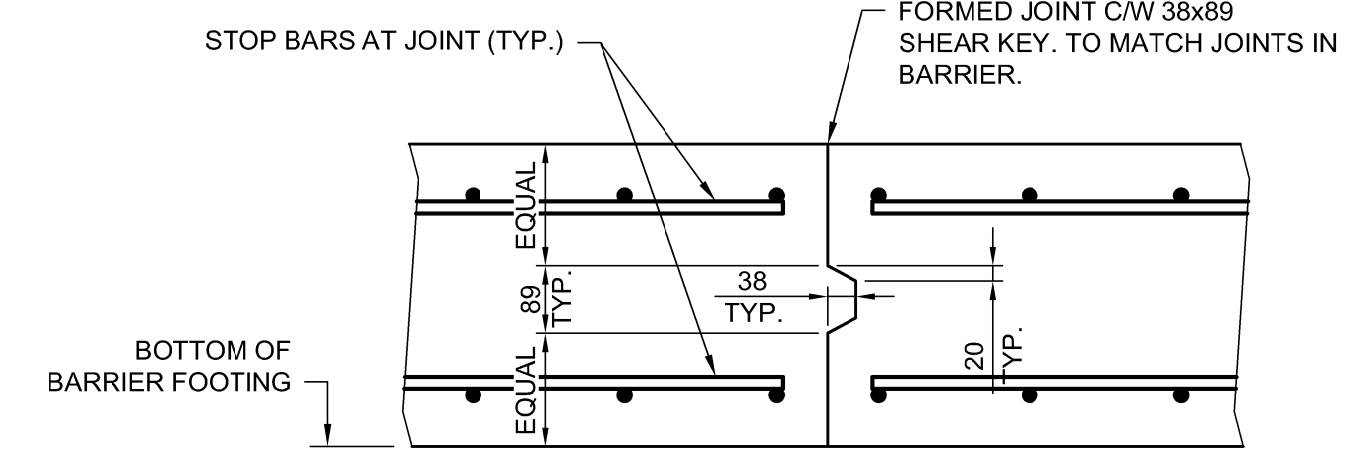
2 **DETAIL - CONCRETE COPING**
1:5
SPACED AT 4.248 METRES O.C.



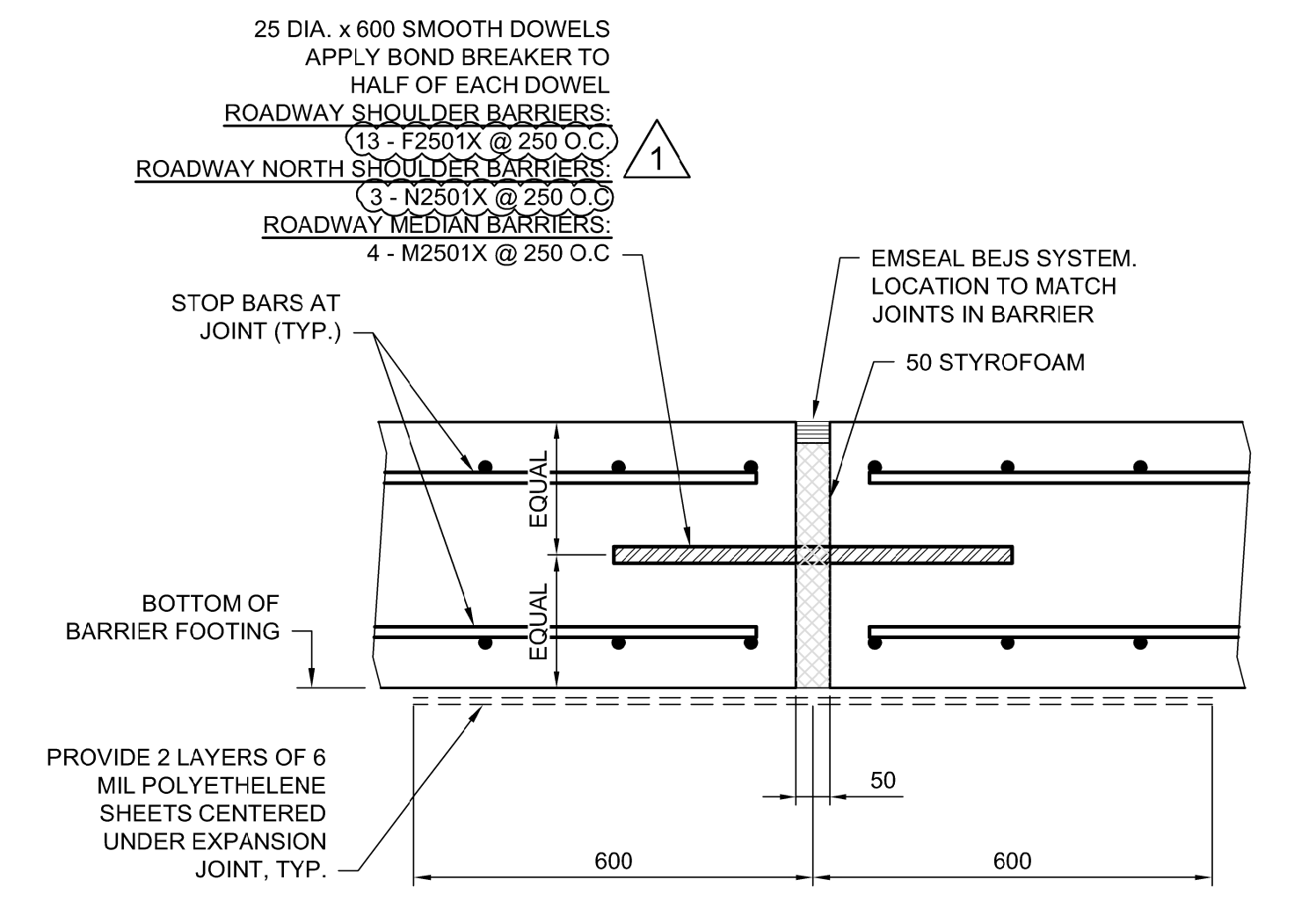
BARRIER - CONSTRUCTION JOINT
1:10
SPACED AT 3.0 METRES O.C.



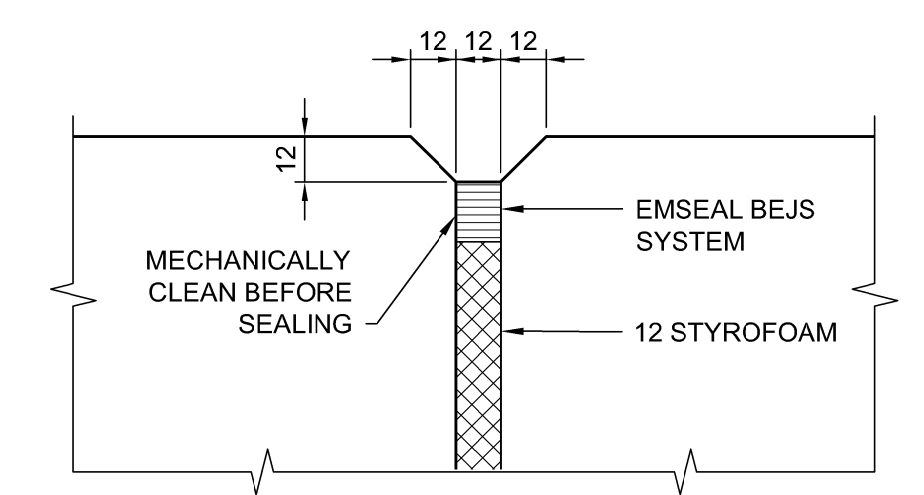
BARRIER - EXPANSION JOINT
1:10
SPACED AT 45.0 METRES O.C.



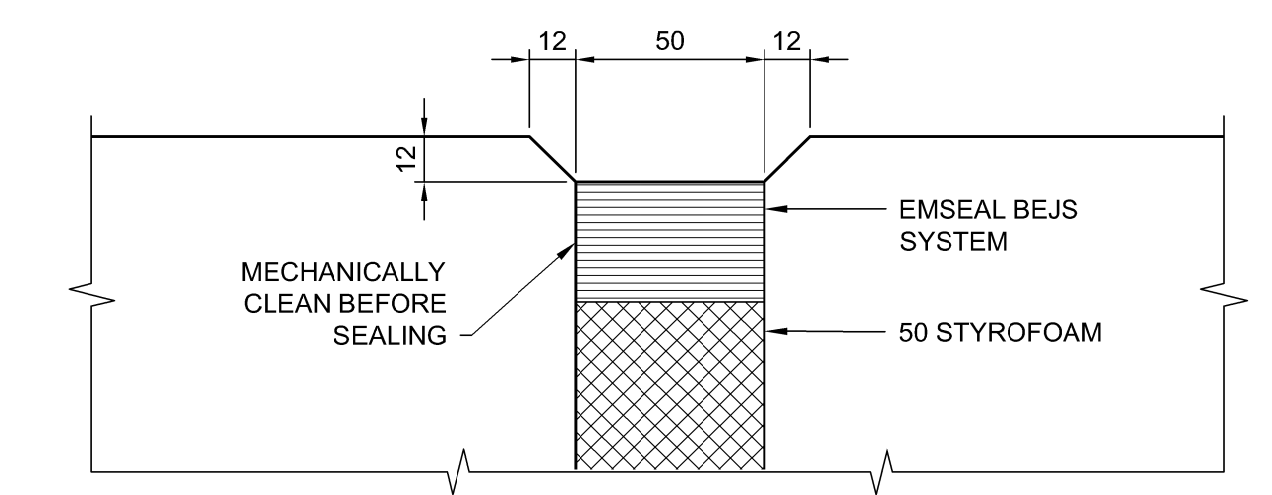
BARRIER FOOTING - FORMED JOINT
1:10
SPACED AT 3.0 METRES O.C.



BARRIER FOOTING - EXPANSION JOINT
1:10
SPACED AT 45.0 METRES O.C.



3 **DETAIL**
1:2



4 **DETAIL**
1:2

G:\CAD\175932\Drawings\Structural\Contract\BRIDGE-CON-CS-RETAINING WALL JOINT DETAILS.dwg

APEGM
Certificate of Authorization
Dillon Consulting Limited (MB)
No. 1789 Date: 2018/02/09

DESIGNED BY	DRA	CHECKED BY	SSR
DRAWN BY	CGC	APPROVED BY	MBL
HOR. SCALE	AS SHOWN	RELEASED FOR CONSTRUCTION	
VERTICAL SCALE	AS SHOWN		
NO.	REVISIONS	DATE	BY
1	ADDENDUM #5	18/03/16	DRA
0	ISSUED FOR TENDER	18/02/09	DRA
		2018/02/09	

DILLON CONSULTING

DESIGNED BY: DRA, CHECKED BY: SSR, APPROVED BY: MBL, DATE: 2018/02/09

ENGINEER'S SEAL
PROVINCE OF MANITOBA
D.R.C. AMORIM
Member 33215
REGISTERED PROFESSIONAL ENGINEER
CONSULTANT PROJECT NUMBER: 17-5932

THE CITY OF WINNIPEG PUBLIC WORKS DEPARTMENT

FERMOR AVENUE BRIDGE OVER SEINE RIVER
BRIDGE RE-HABILITATION, PEDESTRIAN-CYCLIST UNDERPASS STRUCTURE AND ROADWORKS FROM ST. ANNE'S ROAD TO ARCHIBALD STREET

CITY DRAWING NUMBER: B-118-2017-CS-063
SHEET 063 OF 100
CONSULTANT DRAWING NUMBER: CS-063