

NOTE:  
IN NORTHEAST CORNER OF STAGE 1, TRANSVERSE BARS SHALL BE PLACED FULL LENGTH PROJECTING FROM TOP AND BOTTOM SLABS. WHERE PROJECTIONS INTERFERE WITH TEMPORARY SHORING THE REINFORCING BARS MAY BE CUT (MAX. 7 PER MAT) IN A STAGGERED PATTERN AND REATTACHED WITH STEEL COUPLERS FOR STAGE 2 REINFORCING.

ALTERNATE PROJECTION  
800 & 1100 ADJUSTING LAPS  
(TYP. TOP & BOTTOM)

15 SP @ 150 = 2250  
16 SETS OF:  
1 - U1901X  
1 - U2507X(1)  
1 - 2504X(2 TO 17)

11 SP @ 150 = 1650  
12 SETS OF:  
1 - U1901X (TRIM AS REQUIRED)  
1 - U2507X(2 TO 13)

ROTATE LAST BAR  
U1902X(29) BOT &  
U2507X(13) TOP  
U2507X(6)  
U1901X  
TRIM AS REQUIRED

BOT: 3 ROWS GROUP A  
3 ROWS GROUP B  
ALTERNATING  
TOP: 3 ROWS GROUP B  
3 ROWS GROUP A  
ALTERNATING

BOT: 3 ROWS GROUP A  
3 ROWS GROUP B  
ALTERNATING  
TOP: 3 ROWS GROUP B  
3 ROWS GROUP A  
ALTERNATING

BOT: 3 ROWS GROUP A  
2 ROWS GROUP B  
ALTERNATING  
TOP: 3 ROWS GROUP B  
2 ROWS GROUP A  
ALTERNATING

BOT: 3 ROWS GROUP A  
3 ROWS GROUP B  
ALTERNATING  
TOP: 3 ROWS GROUP B  
3 ROWS GROUP A  
ALTERNATING

LEGEND  
—— TOP BAR  
- - - - BOTTOM BAR

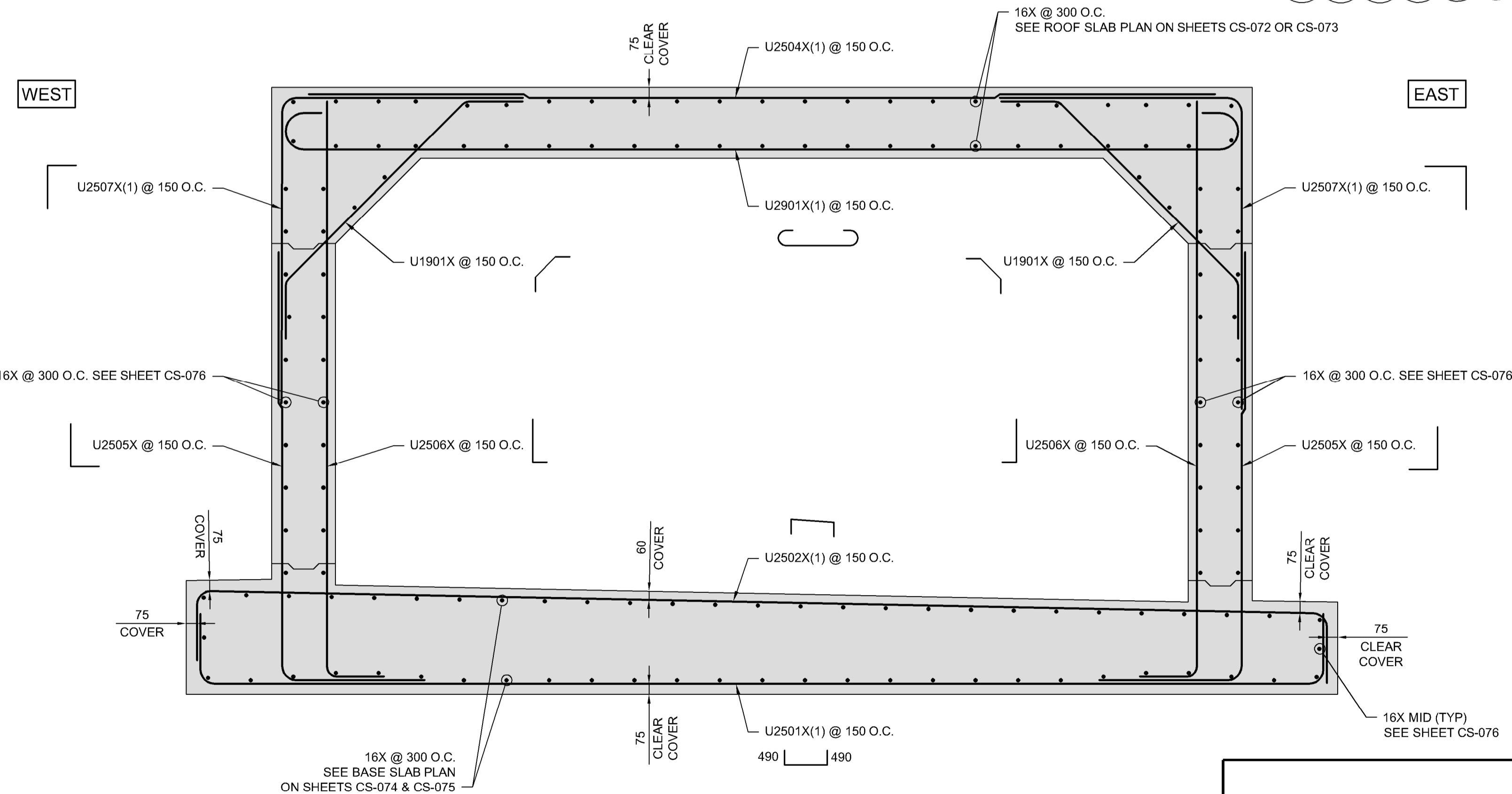
TOP & BOTTOM LONGITUDINAL BAR GROUPS

GROUP A U1610X U1611X  
GROUP B U1611X U1610X

\* CENTER BAR OF GROUP  
INDICATED ON PLAN

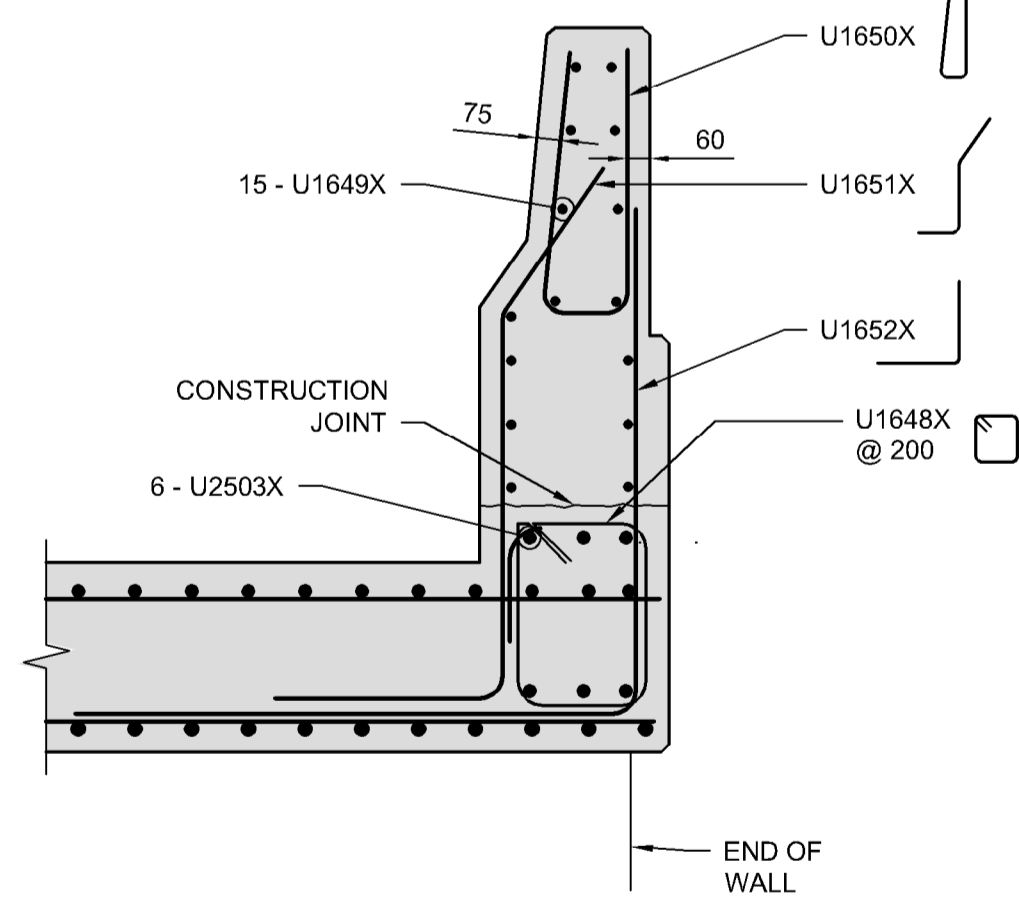
ROOF SLAB REINFORCING PLAN - STAGE 1

1:50  
TOP & BOTTOM REINFORCING  
SOUTH SLAB (STAGE 1)



NOTES:  
1. CONCRETE COVER SHALL BE 60mm UNLESS NOTED OTHERWISE.

A SECTION  
1:25



B SECTION  
1:20



NO.	REVISIONS	DATE	BY
1	ADDENDUM #5	18/03/16	DRA
0	ISSUED FOR TENDER	18/02/09	DRA

DESIGNED BY	DRA	CHECKED BY	SSR
DRAWN BY	DB	APPROVED BY	MBL
HOR. SCALE	AS SHOWN	RELEASED FOR CONSTRUCTION	
VERTICAL	AS SHOWN		
DATE	2018/02/09	DATE	

ENGINEER'S SEAL  
PROVINCE OF MANITOBA  
D.R.C. AMORIM  
Member 33215  
REGISTERED PROFESSIONAL ENGINEER  
CONSULTANT PROJECT NUMBER  
17-5932

THE CITY OF WINNIPEG  
PUBLIC WORKS DEPARTMENT  
Winnipeg  
FERMOR AVENUE BRIDGE OVER SEINE RIVER  
BRIDGE REHABILITATION, PEDESTRIAN-CYCLIST UNDERPASS STRUCTURE  
AND ROADWORKS FROM ST. ANNE'S ROAD TO ARCHIBALD STREET  
PEDESTRIAN-CYCLIST UNDERPASS  
REINFORCING DETAILS 1 OF 5  
CITY DRAWING NUMBER  
U-243-2017-CS-072  
SHEET OF  
072 OF 100  
CONSULTANT DRAWING NUMBER  
CS-072

G:\CAD\175932\Drawings\Structural\Contract\UNDERPASS\CON-CS-REINF-DETAILS\_1.dwg