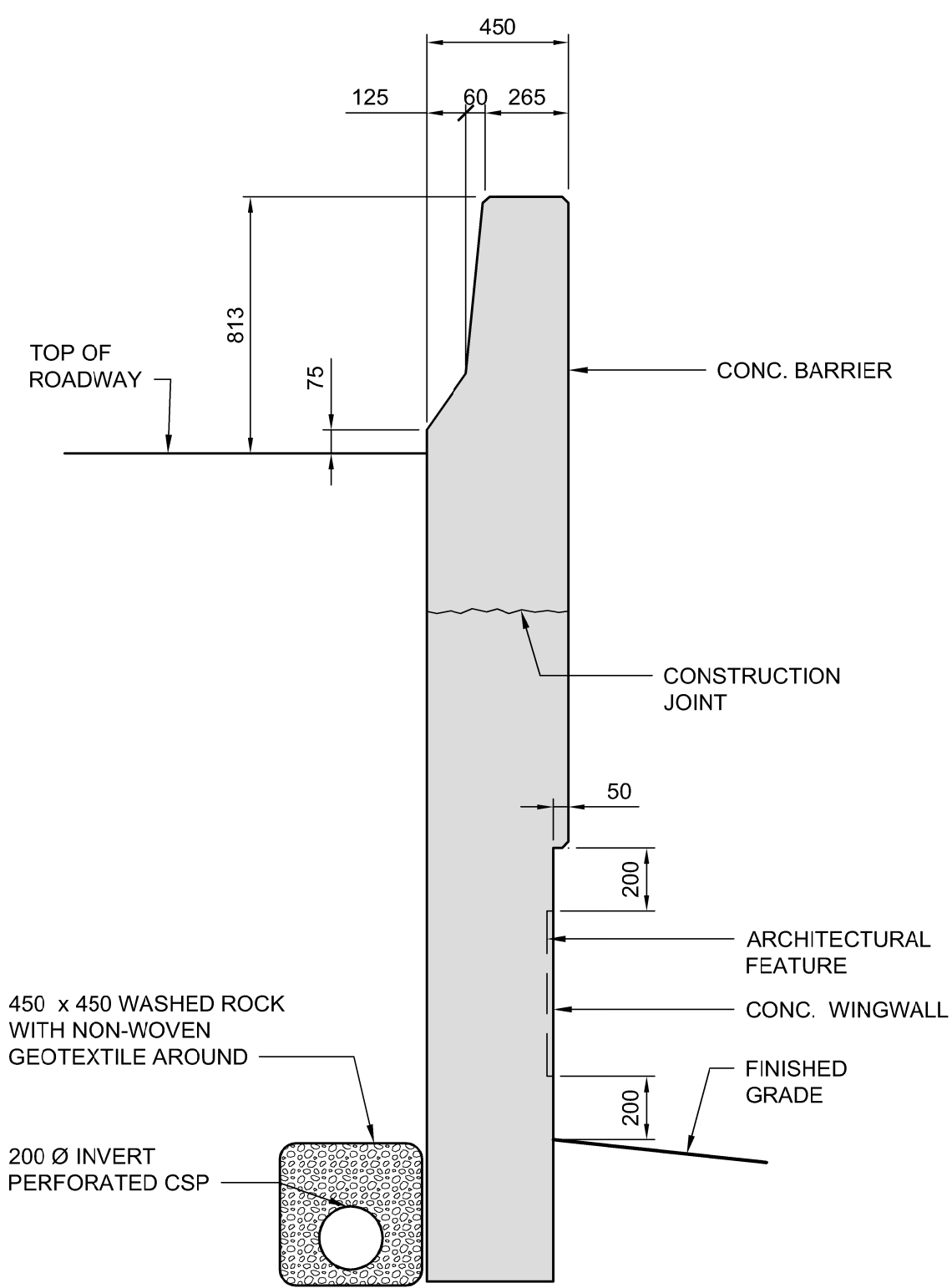
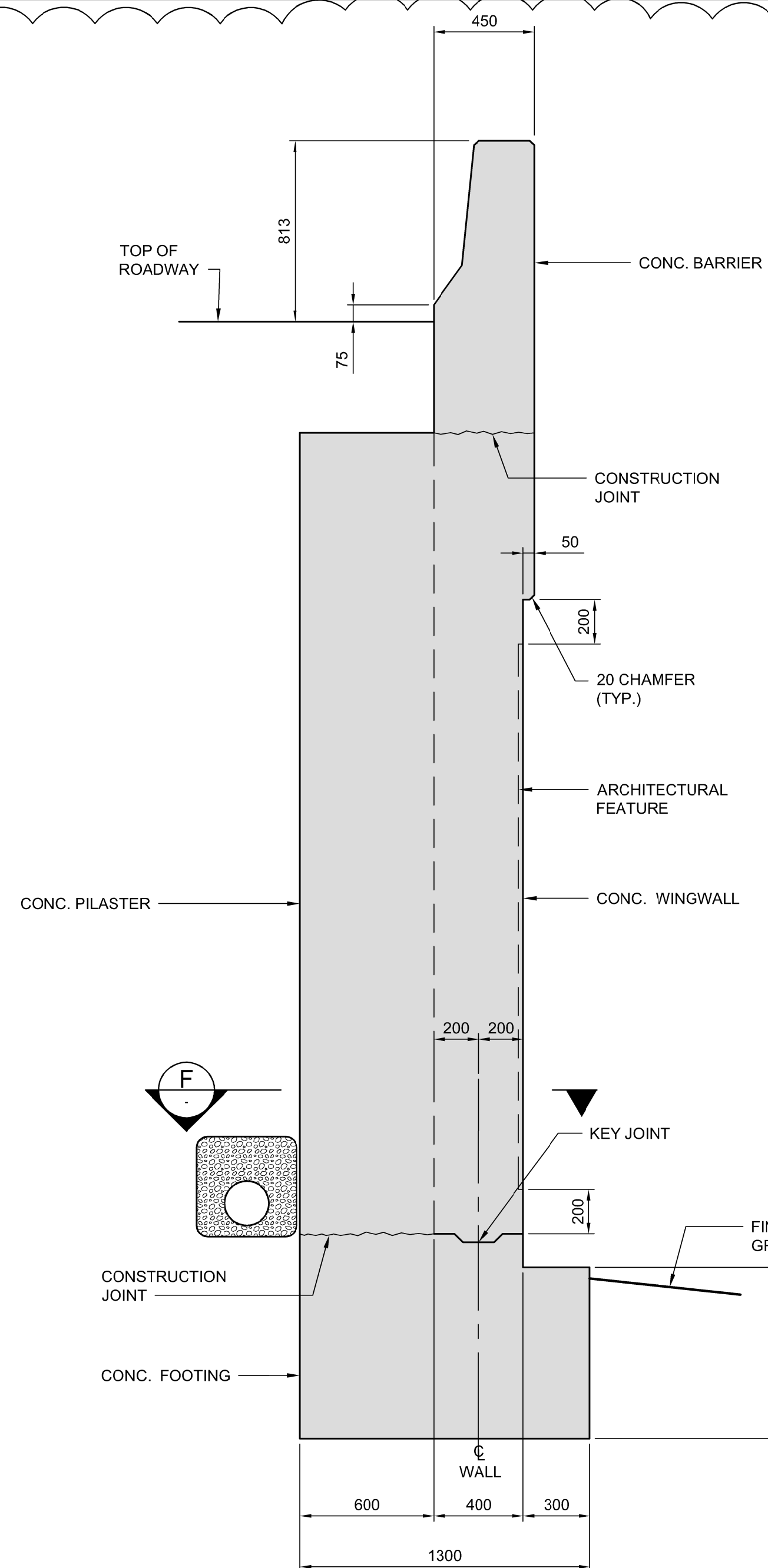


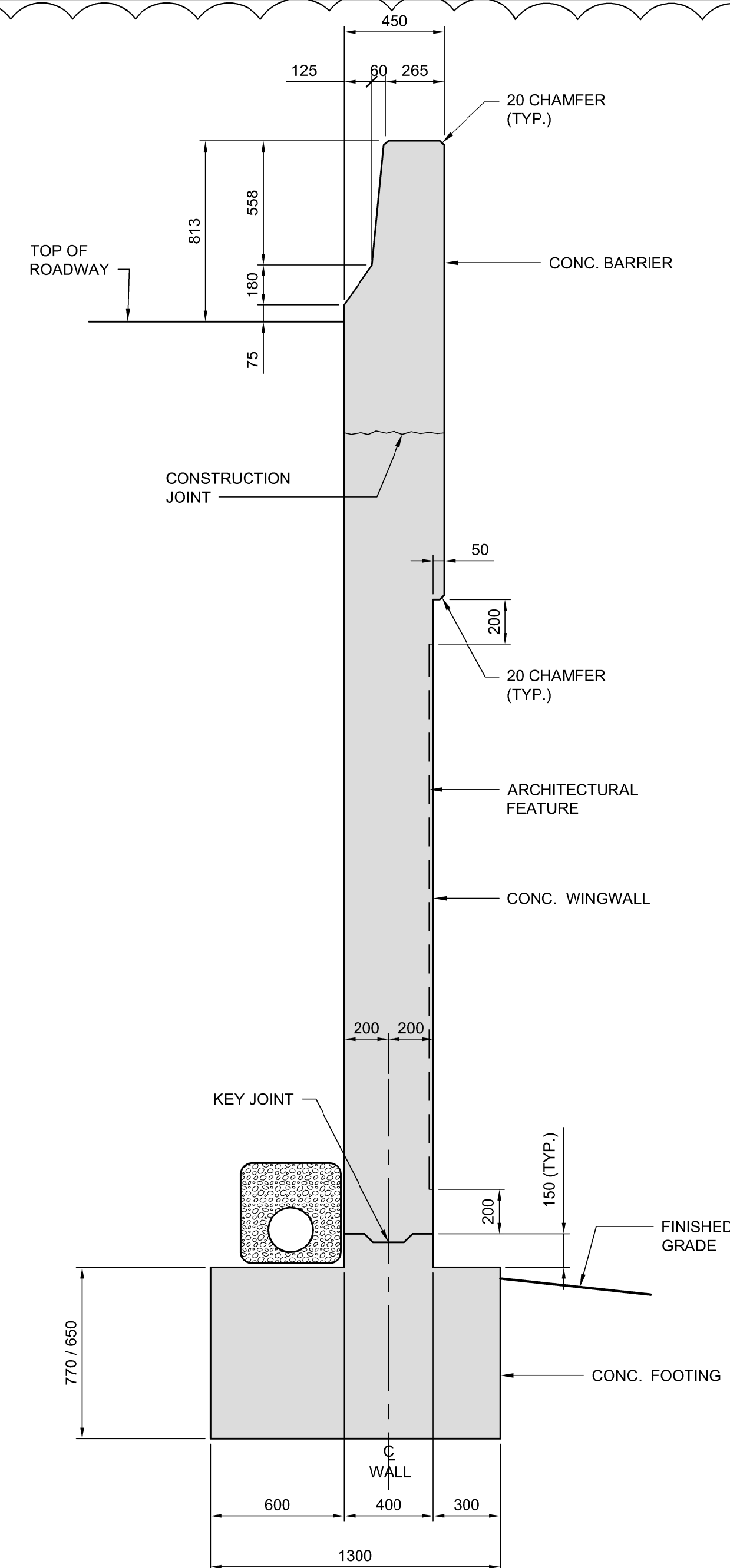
A SECTION
CS-068 1:20



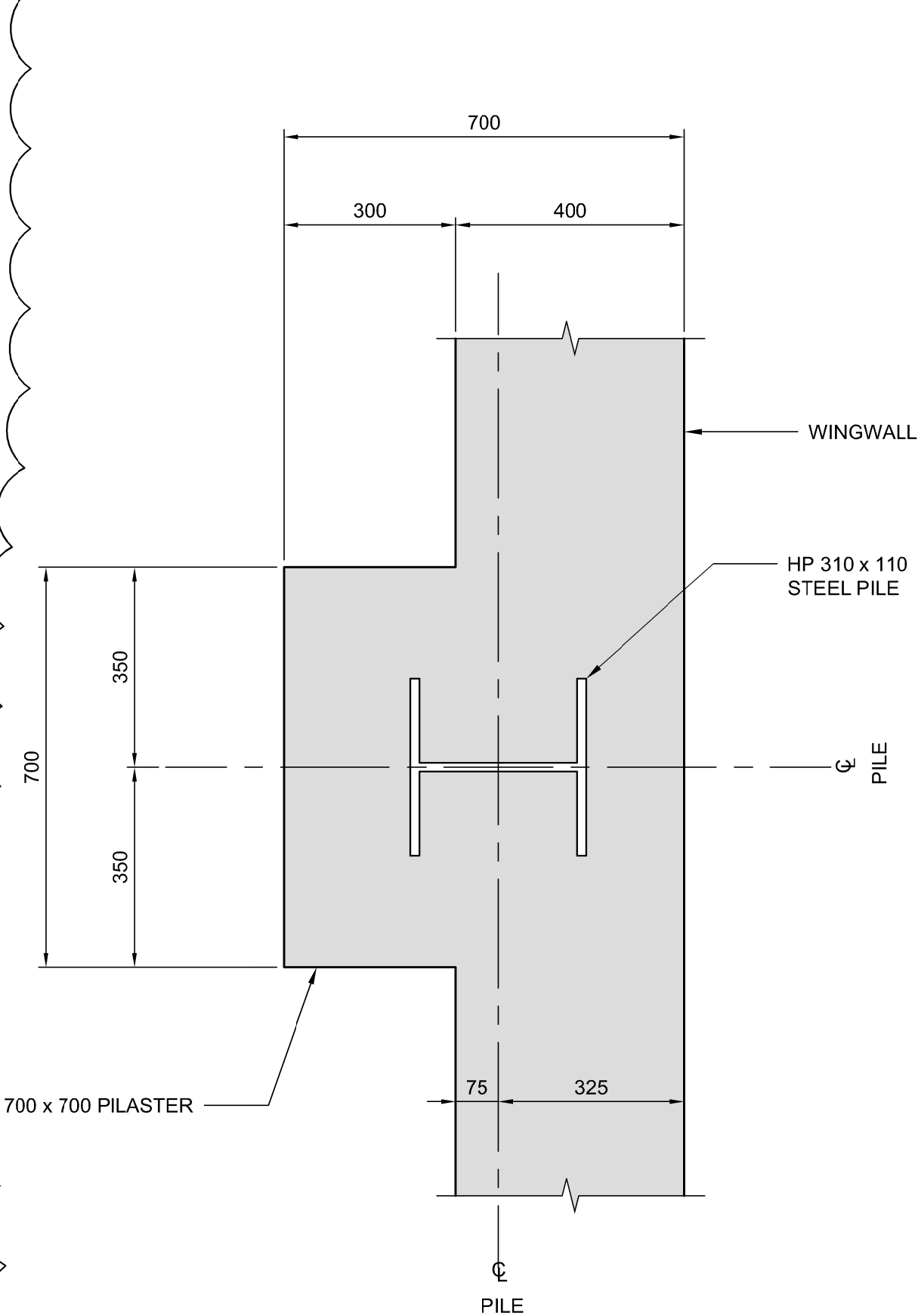
B SECTION
CS-068 1:20



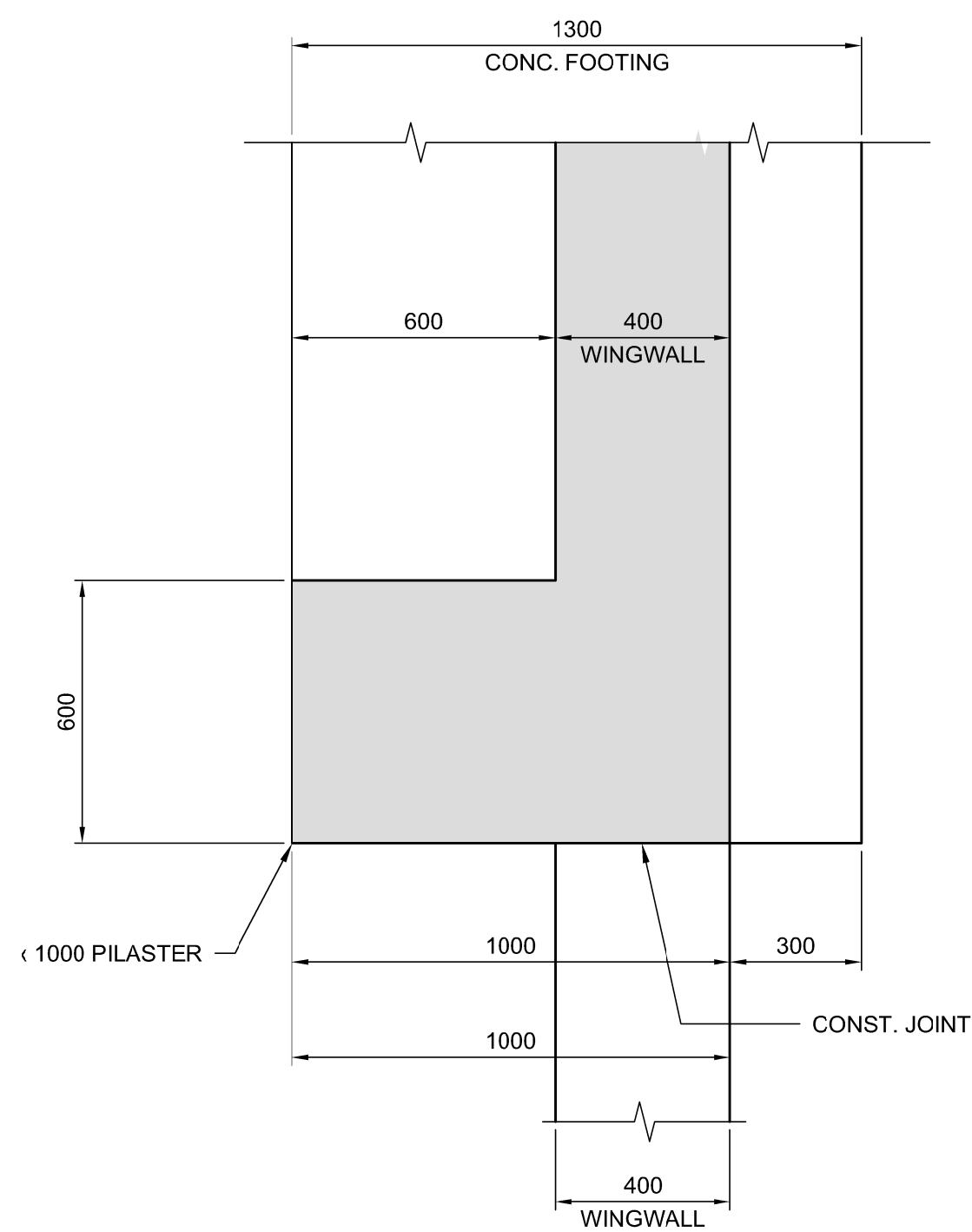
C SECTION
CS-068 1:20



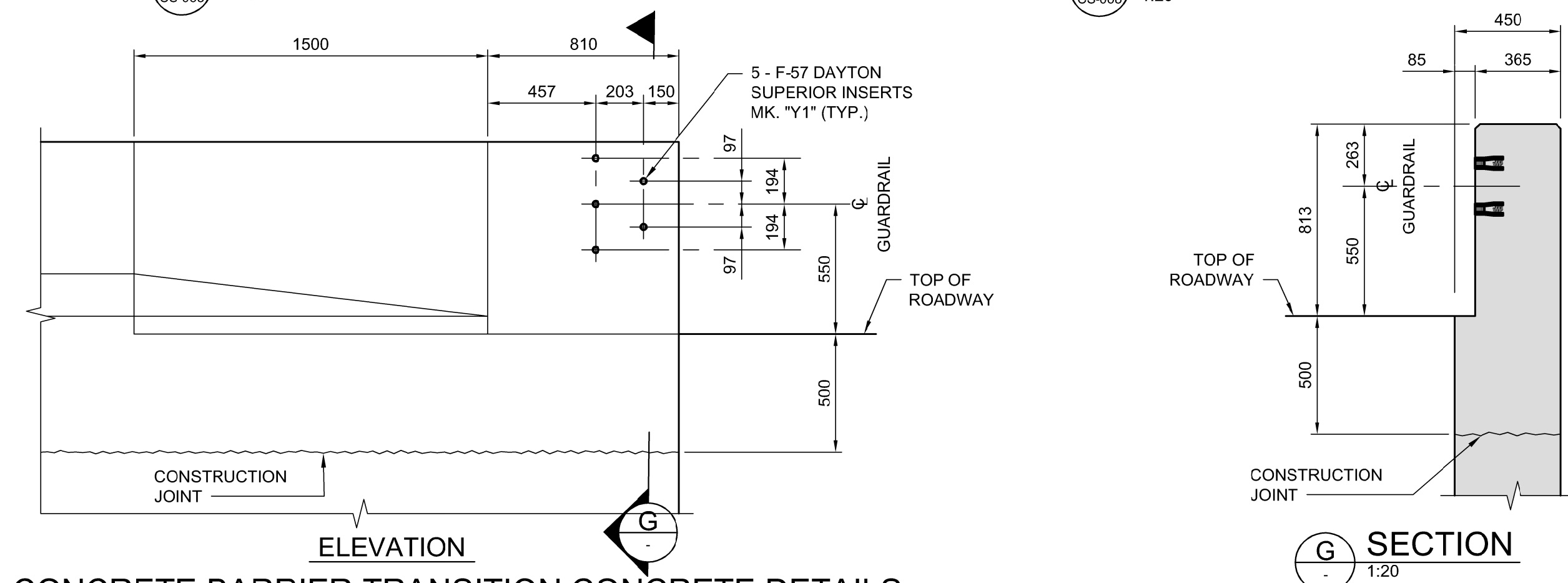
D SECTION
CS-068 1:20



E SECTION
1:10



F SECTION
1:15



G SECTION
1:20

ELEVATION
CONCRETE BARRIER TRANSITION CONCRETE DETAILS



| NO. | REVISIONS | DATE | BY | DATE |
|-----|-------------------|----------|-----|------|
| 1 | ADDENDUM #5 | 18/03/16 | DRA | |
| 0 | ISSUED FOR TENDER | 18/02/09 | DRA | |

| | | | |
|----------------|-----------|---------------------------|------------|
| DESIGNED BY | DRA | CHECKED BY | SSR |
| DRAWN BY | NBG / CGC | APPROVED BY | MBL |
| HOR. SCALE | AS SHOWN | RELEASED FOR CONSTRUCTION | |
| VERTICAL SCALE | AS SHOWN | DATE | 2018/02/09 |

ENGINEER'S SEAL
PROVINCE OF MANITOBA
D.R.C. AMORIM
Member 33215
REGISTERED PROFESSIONAL ENGINEER
CONSULTANT PROJECT NUMBER
17-5932

THE CITY OF WINNIPEG
PUBLIC WORKS DEPARTMENT
FERMOR AVENUE BRIDGE OVER SEINE RIVER
BRIDGE REHABILITATION, PEDESTRIAN-CYCLIST UNDERPASS STRUCTURE AND ROADWORKS FROM ST. ANNE'S ROAD TO ARCHIBALD STREET
PEDESTRIAN-CYCLIST UNDERPASS
WINGWALL DETAILS 1 OF 3
CITY DRAWING NUMBER
U-243-2017-CS-078
SHEET 078 OF 100
CONSULTANT DRAWING NUMBER
CS-078

G:\CAD\175932\Drawings\Structural\Underpass\CON-CS-RETAINING WALL DETAILS 1.dwg