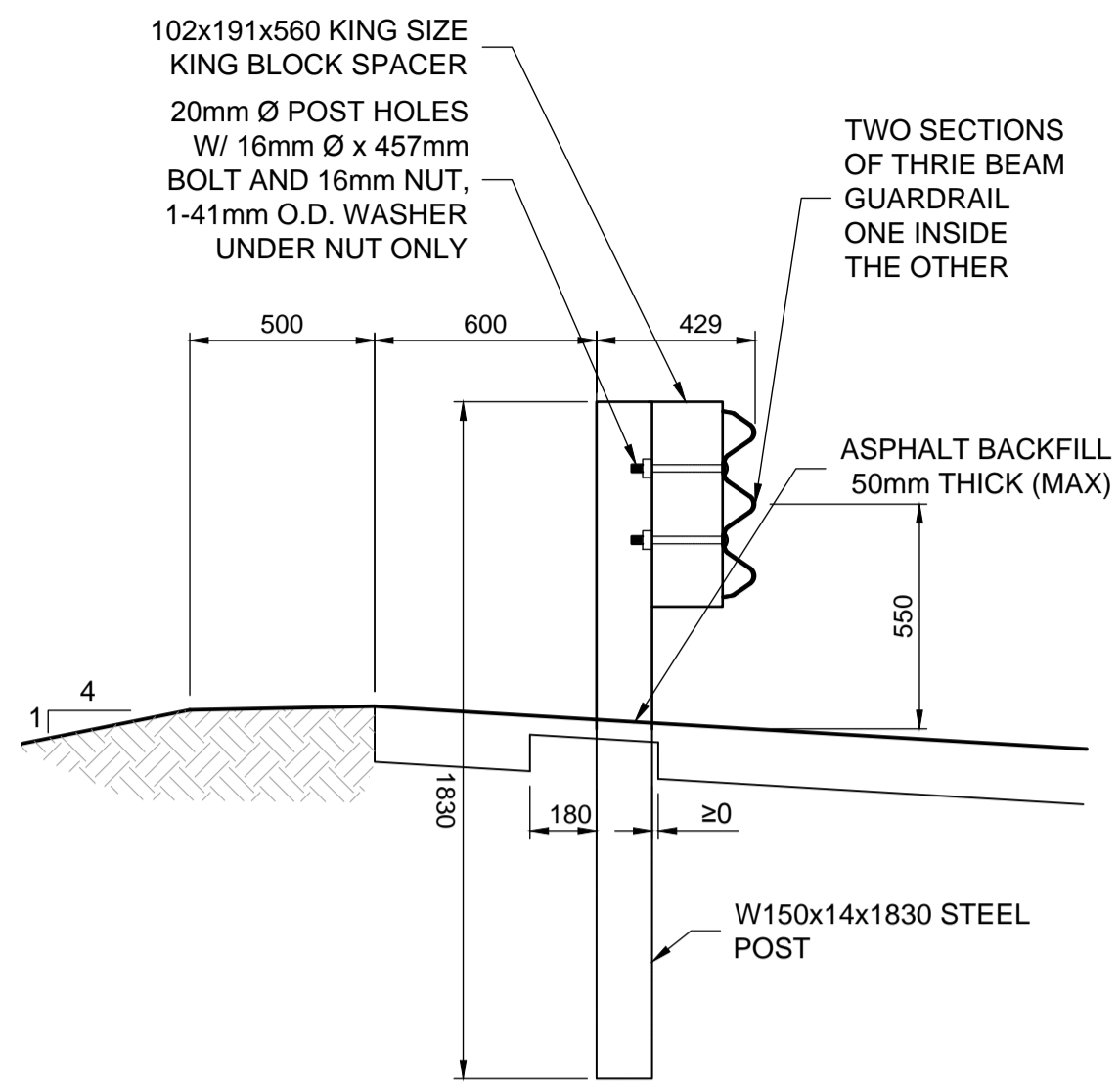
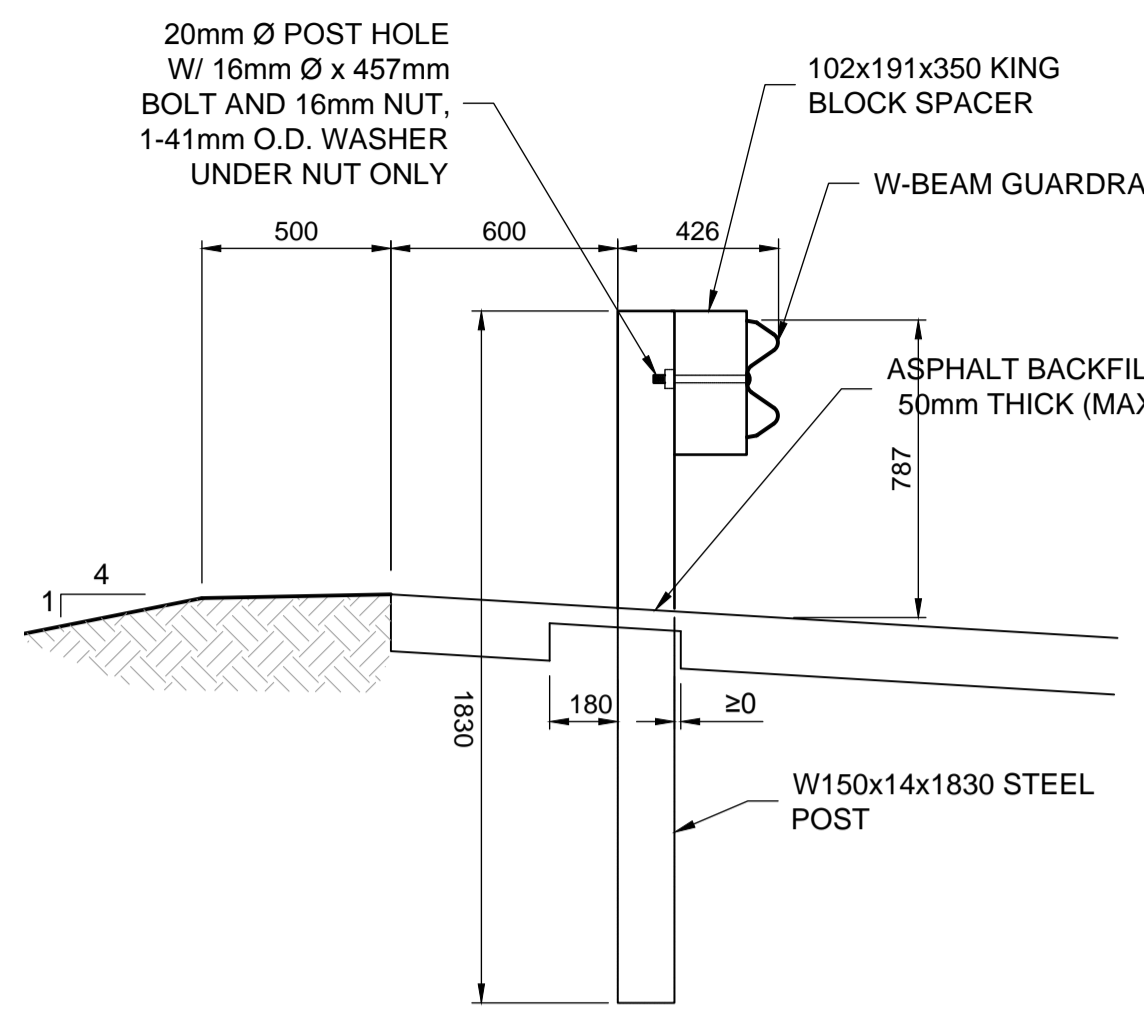


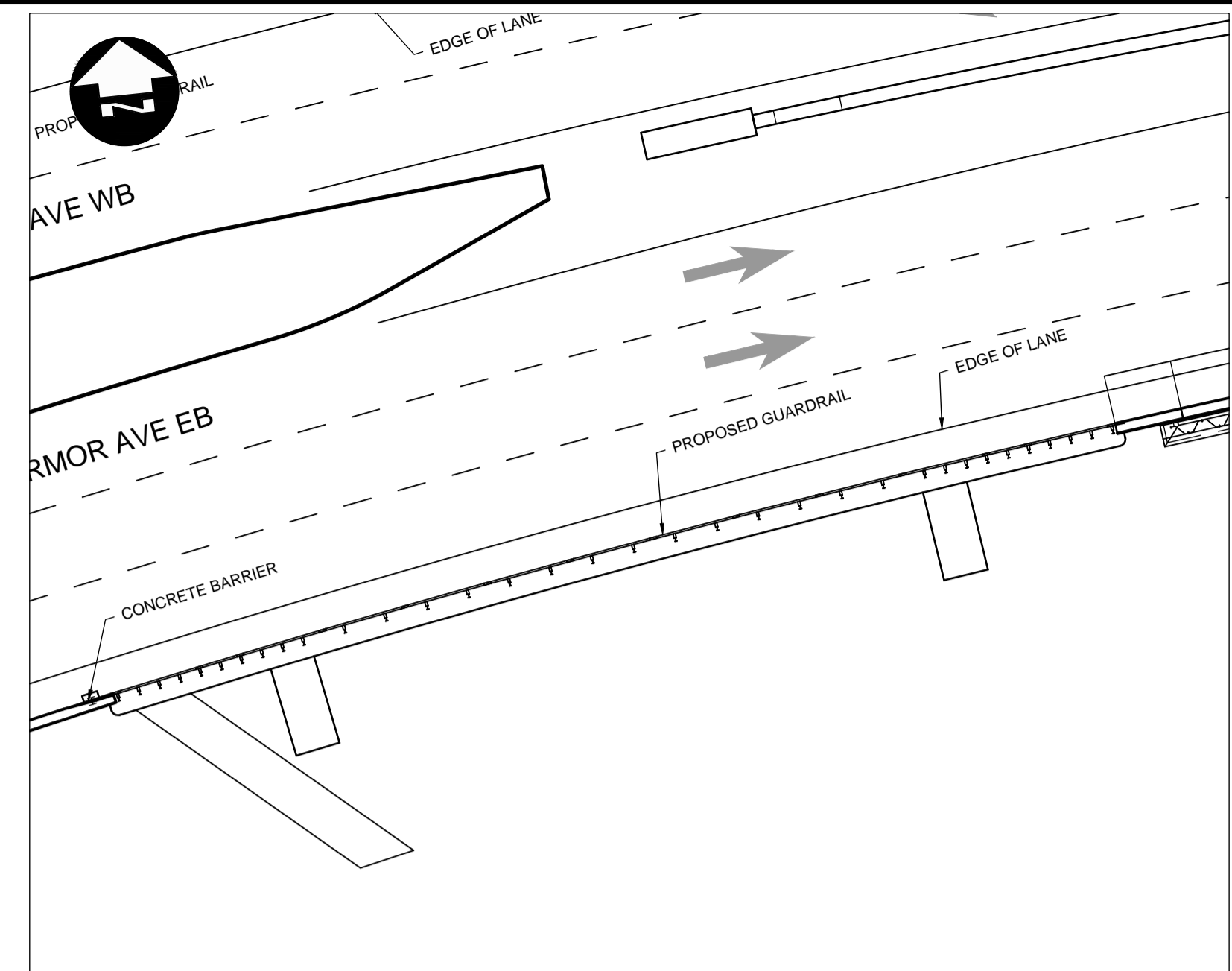
LEAVE OUT DETAIL
Scale 1:20



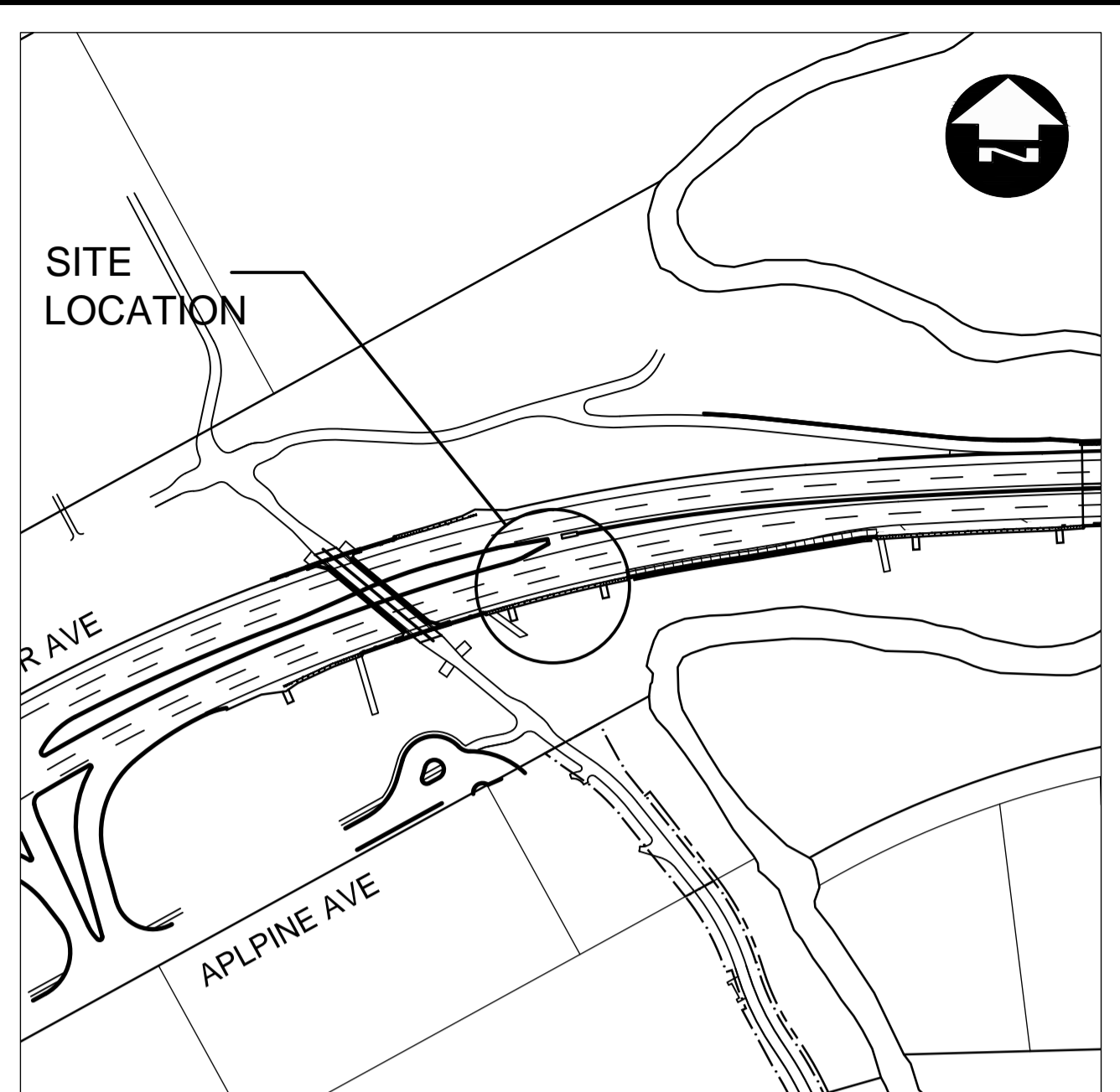
A GUARDRAIL SECTION
1:20



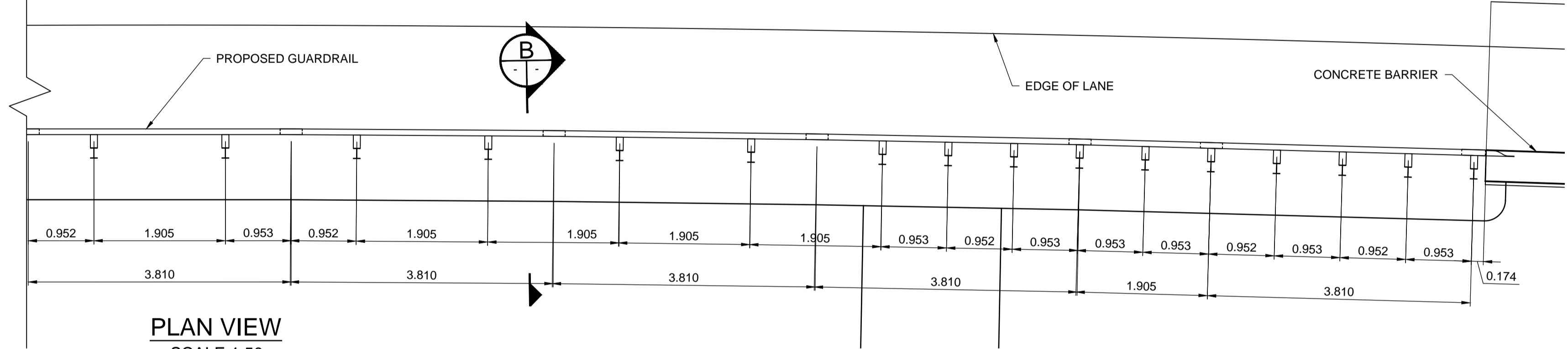
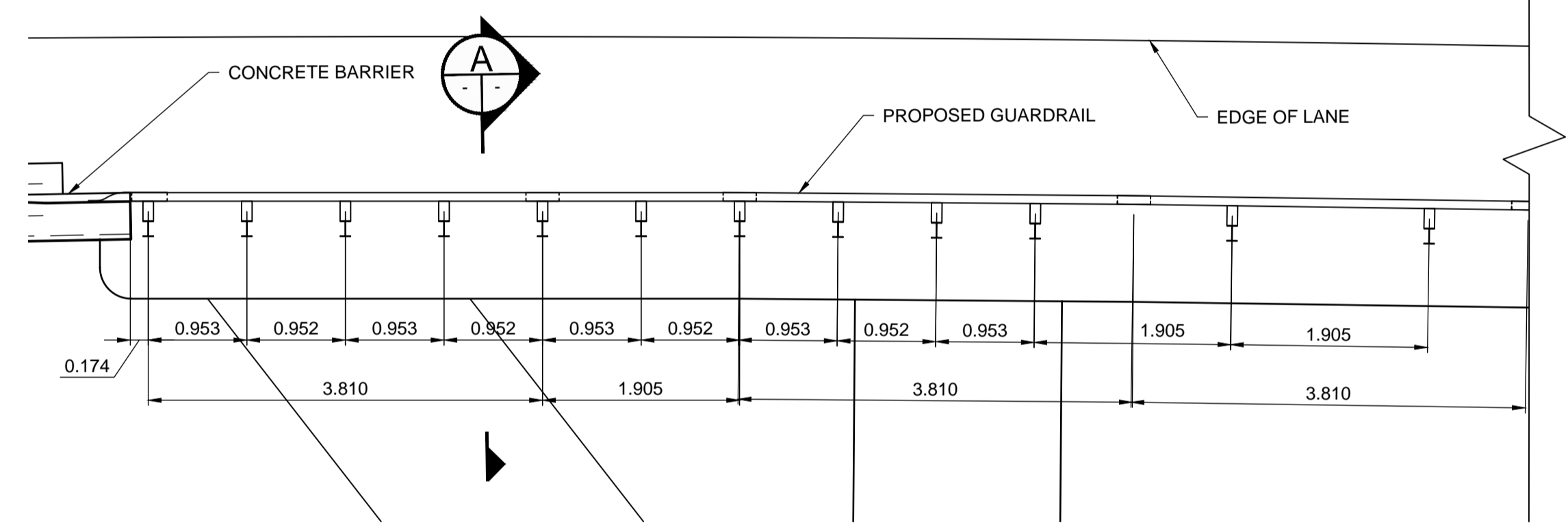
B GUARDRAIL SECTION
1:20



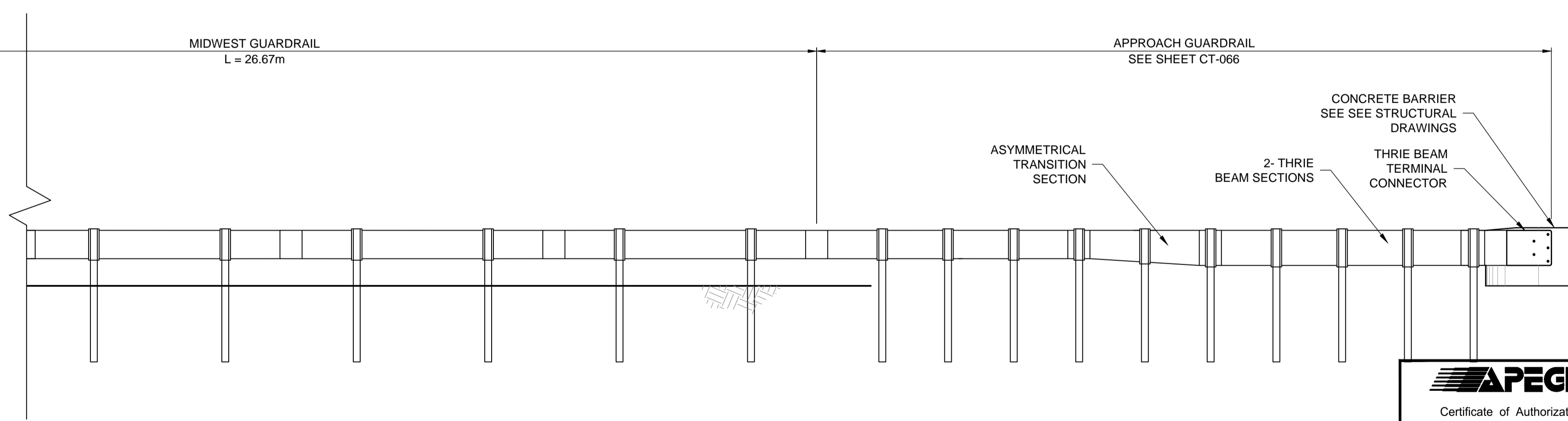
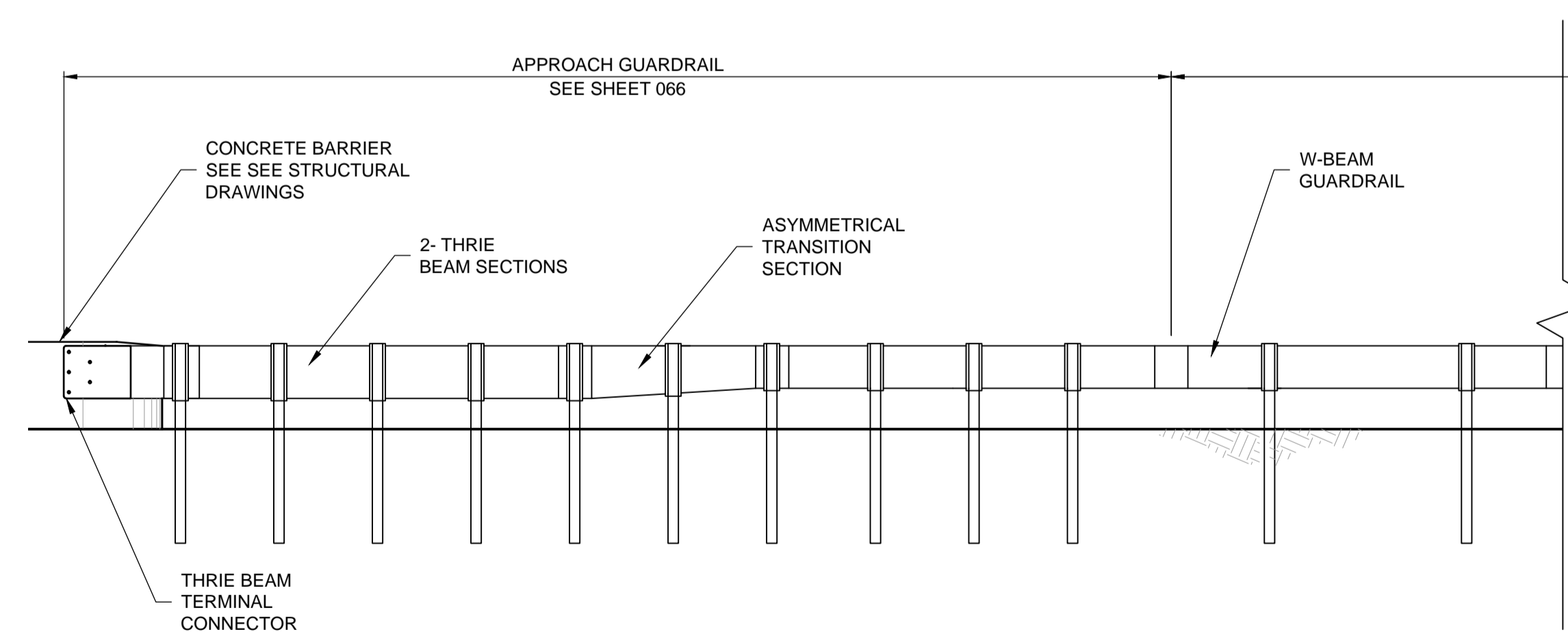
SITE PLAN
SCALE 1:250



SITE LOCATION



PLAN VIEW
SCALE 1:50



ELEVATION VIEW
SCALE 1:50

APEGM
Certificate of Authorization
Dillon Consulting Limited (MB)
No. 1789 Date: 18/02/09

G:\CAD\175932\Drawings\Ferroworks\Contract\175932-CON-CT-GUARDRAIL-LAYOUT.dwg

150 WM	WATERMAIN	150 WM	CONCRETE	150 WM	WATERMAIN	150 WM	WATERMAIN	UNDERGROUND STRUCTURES SUPPLY U/G STRUCTURES DATE	B.M. ELEV. SEE SHEET CT-001 FOR CONTROL POINT INFORMATION	DESIGNED BY	JAT		ENGINEER'S SEAL			THE CITY OF WINNIPEG PUBLIC WORKS DEPARTMENT FERMOR AVENUE BRIDGE OVER SEINE RIVER BRIDGE REHABILITATION, PEDESTRIAN-CYCLIST UNDERPASS STRUCTURE AND ROADWORKS FROM ST. ANNE'S ROAD TO ARCHIBALD STREET	CITY DRAWING NUMBER	P-3489-2017-CT-065A
300 LDS	HYDRANT	300 LDS	ASPHALT	300 LDS	LAND DRAINAGE SEWER	300 LDS	LAND DRAINAGE SEWER			DRAWN BY	PMW		CHECKED BY				JNC	RELEASED FOR CONSTRUCTION
250 WWS	VALVE	250 WWS	PLANING	250 WWS	WASTE WATER SEWER	250 WWS	WASTE WATER SEWER	LOCATION OF UNDERGROUND STRUCTURES AS SHOWN ARE BASED ON THE BEST INFORMATION AVAILABLE BUT NO GUARANTEE IS GIVEN THAT ALL EXISTING UTILITIES ARE SHOWN OR THAT THE GIVEN LOCATIONS ARE EXACT. CONFIRMATION OF EXISTENCE AND EXACT LOCATION OF ALL SERVICES MUST BE OBTAINED FROM THE INDIVIDUAL UTILITIES BEFORE PROCEEDING WITH CONSTRUCTION.	NO.	REVISIONS	DATE	DATE	DATE	DATE	CONSULTANT DRAWING NUMBER	CT-065A		
300 LDS	MANHOLE	300 LDS	SIDEWALK	300 LDS	HYDRANT	300 LDS	HYDRANT	1	ADDENDUM #5	18/03/16	JNC							
250 WWS	CATCH BASIN	250 WWS	PAVING STONES	250 WWS	VALVE	250 WWS	VALVE	0	ISSUED FOR TENDER	18/02/09	JNC							
100 GAS	CURB INLET	100 GAS	PARTIAL DEPTH REPAIR	100 GAS	PROPERTY LINE	100 GAS	PROPERTY LINE											
100 GAS	LAND DRAINAGE SEWER	100 GAS	DRAINAGE ARROW	100 GAS	PROPERTY LINE	100 GAS	PROPERTY LINE											
100 GAS	WASTE WATER SEWER	100 GAS	CURB RAMP (SD-229C)	100 GAS	PROPERTY LINE	100 GAS	PROPERTY LINE											
100 GAS	HYDRANT	100 GAS	DETECTABLE WARNING SURFACE TILE (SD-229AA)	100 GAS	PROPERTY LINE	100 GAS	PROPERTY LINE											
100 GAS	MANHOLE	100 GAS		100 GAS	PROPERTY LINE	100 GAS	PROPERTY LINE											
100 GAS	CATCH BASIN	100 GAS		100 GAS	PROPERTY LINE	100 GAS	PROPERTY LINE											
100 GAS	CURB INLET	100 GAS		100 GAS	PROPERTY LINE	100 GAS	PROPERTY LINE											
100 GAS	LAND DRAINAGE SEWER	100 GAS		100 GAS	PROPERTY LINE	100 GAS	PROPERTY LINE											
100 GAS	WASTE WATER SEWER	100 GAS		100 GAS	PROPERTY LINE	100 GAS	PROPERTY LINE											
100 GAS	HYDRANT	100 GAS		100 GAS	PROPERTY LINE	100 GAS	PROPERTY LINE											
100 GAS	MANHOLE	100 GAS		100 GAS	PROPERTY LINE	100 GAS	PROPERTY LINE											
100 GAS	CATCH BASIN	100 GAS		100 GAS	PROPERTY LINE	100 GAS	PROPERTY LINE											
100 GAS	CURB INLET	100 GAS		100 GAS	PROPERTY LINE	100 GAS	PROPERTY LINE											
100 GAS	LAND DRAINAGE SEWER	100 GAS		100 GAS	PROPERTY LINE	100 GAS	PROPERTY LINE											
100 GAS	WASTE WATER SEWER	100 GAS		100 GAS	PROPERTY LINE	100 GAS	PROPERTY LINE											
100 GAS	HYDRANT	100 GAS		100 GAS	PROPERTY LINE	100 GAS	PROPERTY LINE											
100 GAS	MANHOLE	100 GAS		100 GAS	PROPERTY LINE	100 GAS	PROPERTY LINE											
100 GAS	CATCH BASIN	100 GAS		100 GAS	PROPERTY LINE	100 GAS	PROPERTY LINE											
100 GAS	CURB INLET	100 GAS		100 GAS	PROPERTY LINE	100 GAS	PROPERTY LINE											
100 GAS	LAND DRAINAGE SEWER	100 GAS		100 GAS	PROPERTY LINE	100 GAS	PROPERTY LINE											
100 GAS	WASTE WATER SEWER	100 GAS		100 GAS	PROPERTY LINE	100 GAS	PROPERTY LINE											
100 GAS	HYDRANT	100 GAS		100 GAS	PROPERTY LINE	100 GAS	PROPERTY LINE											
100 GAS	MANHOLE	100 GAS		100 GAS	PROPERTY LINE	100 GAS	PROPERTY LINE											
100 GAS	CATCH BASIN	100 GAS		100 GAS	PROPERTY LINE	100 GAS	PROPERTY LINE											
100 GAS	CURB INLET	100 GAS		100 GAS	PROPERTY LINE	100 GAS	PROPERTY LINE											
100 GAS	LAND DRAINAGE SEWER	100 GAS		100 GAS	PROPERTY LINE	100 GAS	PROPERTY LINE											
100 GAS	WASTE WATER SEWER	100 GAS		100 GAS	PROPERTY LINE	100 GAS	PROPERTY LINE											
100 GAS	HYDRANT	100 GAS		100 GAS	PROPERTY LINE	100 GAS	PROPERTY LINE											
100 GAS	MANHOLE	100 GAS		100 GAS	PROPERTY LINE	100 GAS	PROPERTY LINE											
100 GAS	CATCH BASIN	100 GAS		100 GAS	PROPERTY LINE	100 GAS	PROPERTY LINE											
100 GAS	CURB INLET	100 GAS		100 GAS	PROPERTY LINE	100 GAS	PROPERTY LINE											
100 GAS	LAND DRAINAGE SEWER	100 GAS		100 GAS	PROPERTY LINE	100 GAS	PROPERTY LINE											
100 GAS	WASTE WATER SEWER	100 GAS		100 GAS	PROPERTY LINE	100 GAS	PROPERTY LINE											
100 GAS	HYDRANT	100 GAS		100 GAS	PROPERTY LINE	100 GAS	PROPERTY LINE											
100 GAS	MANHOLE	100 GAS		100 GAS	PROPERTY LINE	100 GAS	PROPERTY LINE											
100 GAS	CATCH BASIN	100 GAS		100 GAS	PROPERTY LINE	100 GAS	PROPERTY LINE											
100 GAS	CURB INLET	100 GAS		100 GAS	PROPERTY LINE	100 GAS	PROPERTY LINE											
100 GAS	LAND DRAINAGE SEWER	100 GAS		100 GAS	PROPERTY LINE	100 GAS	PROPERTY LINE											
100 GAS	WASTE WATER SEWER	100 GAS		100 GAS	PROPERTY LINE	100 GAS	PROPERTY LINE											
100 GAS	HYDRANT	100 GAS		100 GAS	PROPERTY LINE	100 GAS	PROPERTY LINE											
100 GAS	MANHOLE	100 GAS		100 GAS	PROPERTY LINE	100 GAS	PROPERTY LINE											
100 GAS	CATCH BASIN	100 GAS		100 GAS	PROPERTY LINE	100 GAS	PROPERTY LINE											
100 GAS	CURB INLET	100 GAS		100 GAS	PROPERTY LINE	100 GAS	PROPERTY LINE											
100 GAS	LAND DRAINAGE SEWER	100 GAS		100 GAS	PROPERTY LINE	100 GAS	PROPERTY LINE											
100 GAS	WASTE WATER SEWER	100 GAS		100 GAS	PROPERTY LINE	100 GAS	PROPERTY LINE											
100 GAS	HYDRANT	100 GAS		100 GAS	PROPERTY LINE	100 GAS	PROPERTY LINE											
100 GAS	MANHOLE	100 GAS		100 GAS	PROPERTY LINE	100 GAS	PROPERTY LINE											
100 GAS	CATCH BASIN	100 GAS		100 GAS	PROPERTY LINE	100 GAS	PROPERTY LINE											
100 GAS	CURB INLET	100 GAS		100 GAS	PROPERTY LINE	100 GAS	PROPERTY LINE											
100 GAS	LAND DRAINAGE SEWER	100 GAS		100 GAS	PROPERTY LINE	100 GAS	PROPERTY LINE											
100 GAS	WASTE WATER SEWER	100 GAS		100 GAS	PROPERTY LINE	100 GAS	PROPERTY LINE											
100 GAS	HYDRANT	100 GAS		100 GAS	PROPERTY LINE	100 GAS	PROPERTY LINE											
100 GAS	MANHOLE	100 GAS		100 GAS	PROPERTY LINE	100 GAS	PROPERTY LINE											
100 GAS	CATCH BASIN	100 GAS		100 GAS	PROPERTY LINE	100 GAS	PROPERTY LINE											
100 GAS	CURB INLET	100 GAS		100 GAS	PROPERTY LINE	100 GAS	PROPERTY LINE											
100 GAS	LAND DRAINAGE SEWER	100 GAS		100 GAS	PROPERTY LINE	100 GAS	PROPERTY LINE											
100 GAS	WASTE WATER SEWER	100 GAS		100 GAS	PROPERTY LINE	100 GAS	PROPERTY LINE											
100 GAS	HYDRANT	100 GAS		100 GAS	PROPERTY LINE	100 GAS	PROPERTY LINE											
100 GAS	MANHOLE	100 GAS		100 GAS	PROPERTY LINE	100 GAS	PROPERTY LINE											
100 GAS	CATCH BASIN	100 GAS		100 GAS	PROPERTY LINE	100 GAS	PROPERTY LINE											
100 GAS	CURB INLET	100 GAS		100 GAS	PROPERTY LINE	100 GAS	PROPERTY LINE											
100 GAS	LAND DRAINAGE SEWER	100 GAS		100 GAS	PROPERTY LINE	100 GAS	PROPERTY LINE											
100 GAS	WASTE WATER SEWER	100 GAS		100 GAS	PROPERTY LINE	100 GAS	PROPERTY LINE											
100 GAS	HYDRANT	100 GAS		100 GAS	PROPERTY LINE	100 GAS	PROPERTY LINE											
100 GAS	MANHOLE	100 GAS		100 GAS	PROPERTY LINE	100 GAS	PROPERTY LINE											
100 GAS	CATCH BASIN	100 GAS		100 GAS	PROPERTY LINE	100 GAS	PROPERTY LINE											
100 GAS	CURB INLET	100 GAS		100 GAS	PROPERTY LINE	100 GAS	PROPERTY LINE											
100 GAS	LAND DRAINAGE SEWER	100 GAS		100 GAS	PROPERTY LINE	100 GAS	PROPERTY LINE											
100 GAS	WASTE WATER SEWER	100 GAS		100 GAS	PROPERTY LINE	100 GAS	PROPERTY LINE											
100 GAS	HYDRANT	100 GAS		100 GAS	PROPERTY LINE	100 GAS	PROPERTY LINE											
100 GAS	MANHOLE	100 GAS		100 GAS	PROPERTY LINE	100 GAS	PROPERTY LINE											
100 GAS	CATCH BASIN	100 GAS		100 GAS	PROPERTY LINE	100 GAS	PROPERTY LINE											
100 GAS	CURB INLET	100 GAS		100 GAS	PROPERTY LINE	100 GAS	PROPERTY LINE											
100 GAS	LAND DRAINAGE SEWER	100 GAS		100 GAS	PROPERTY LINE	100 GAS	PROPERTY LINE											
100 GAS	WASTE WATER SEWER	100 GAS		100 GAS	PROPERTY LINE	100 GAS	PROPERTY LINE											
100 GAS	HYDRANT	100 GAS		100 GAS	PROPERTY LINE	100 GAS	PROPERTY LINE											
100 GAS	MANHOLE	100 GAS		100 GAS	PROPERTY LINE	100 GAS	PROPERTY LINE											
100 GAS	CATCH BASIN	100 GAS		100														