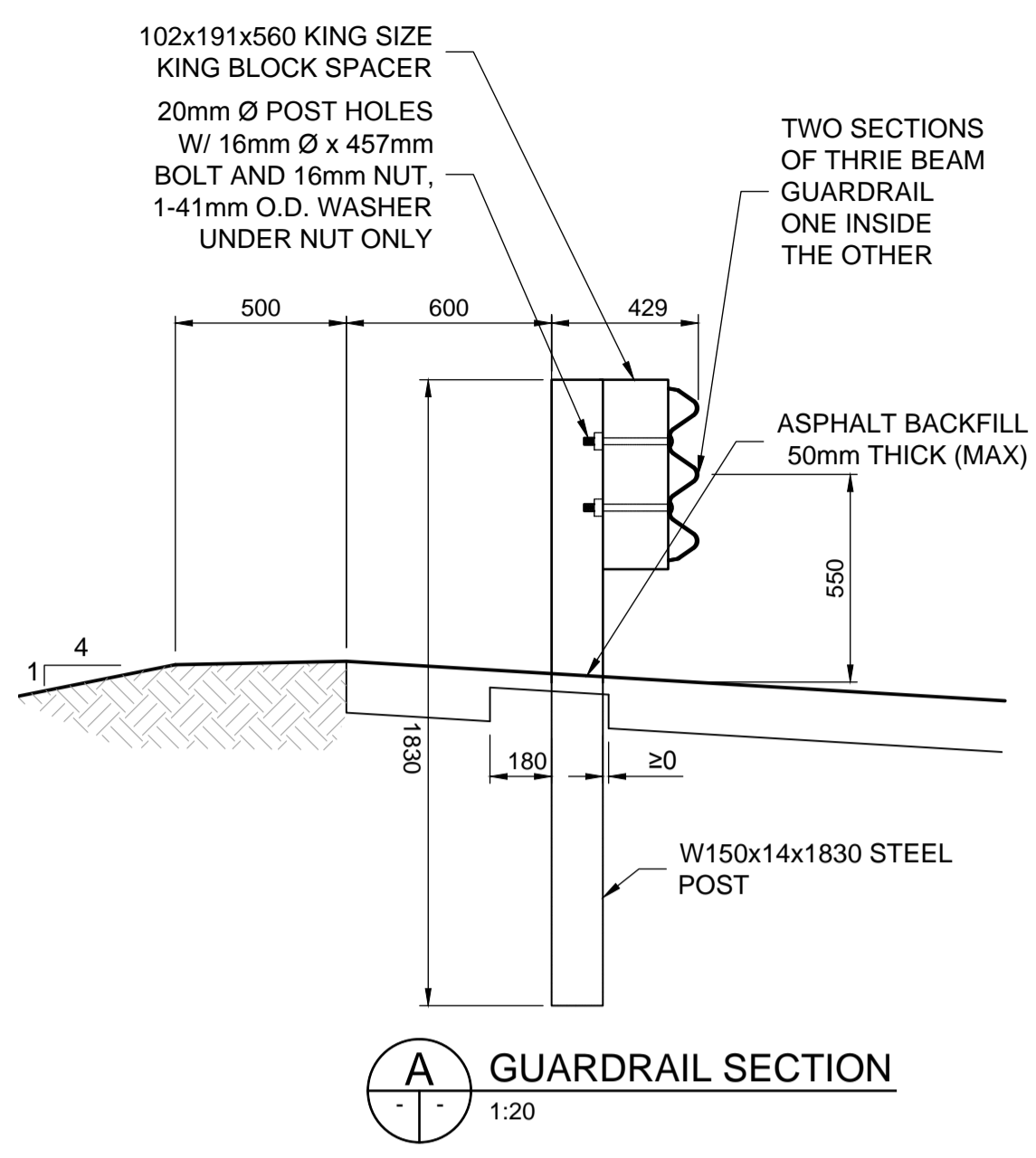
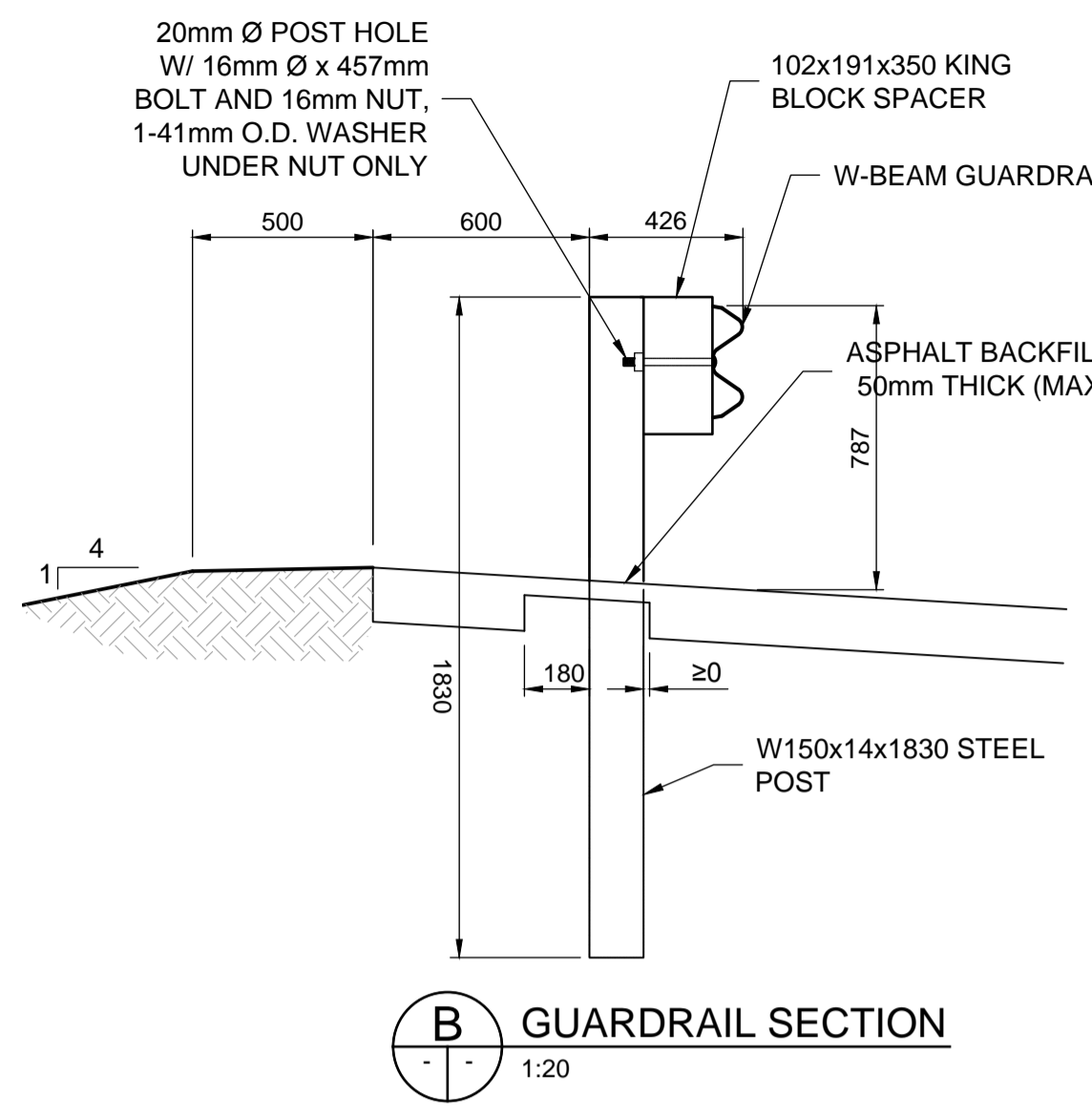


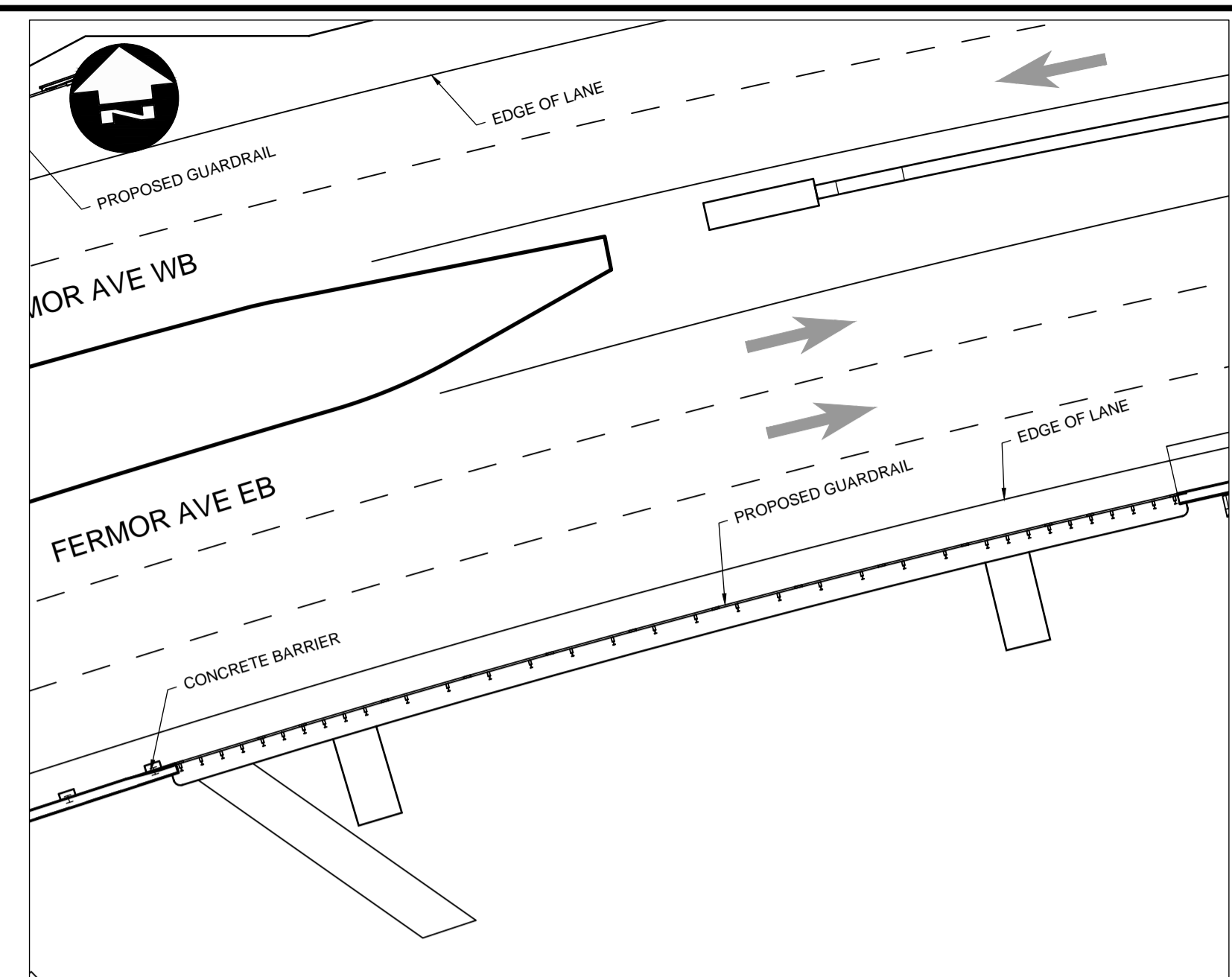
**LEAVE OUT DETAIL**  
Scale 1:20



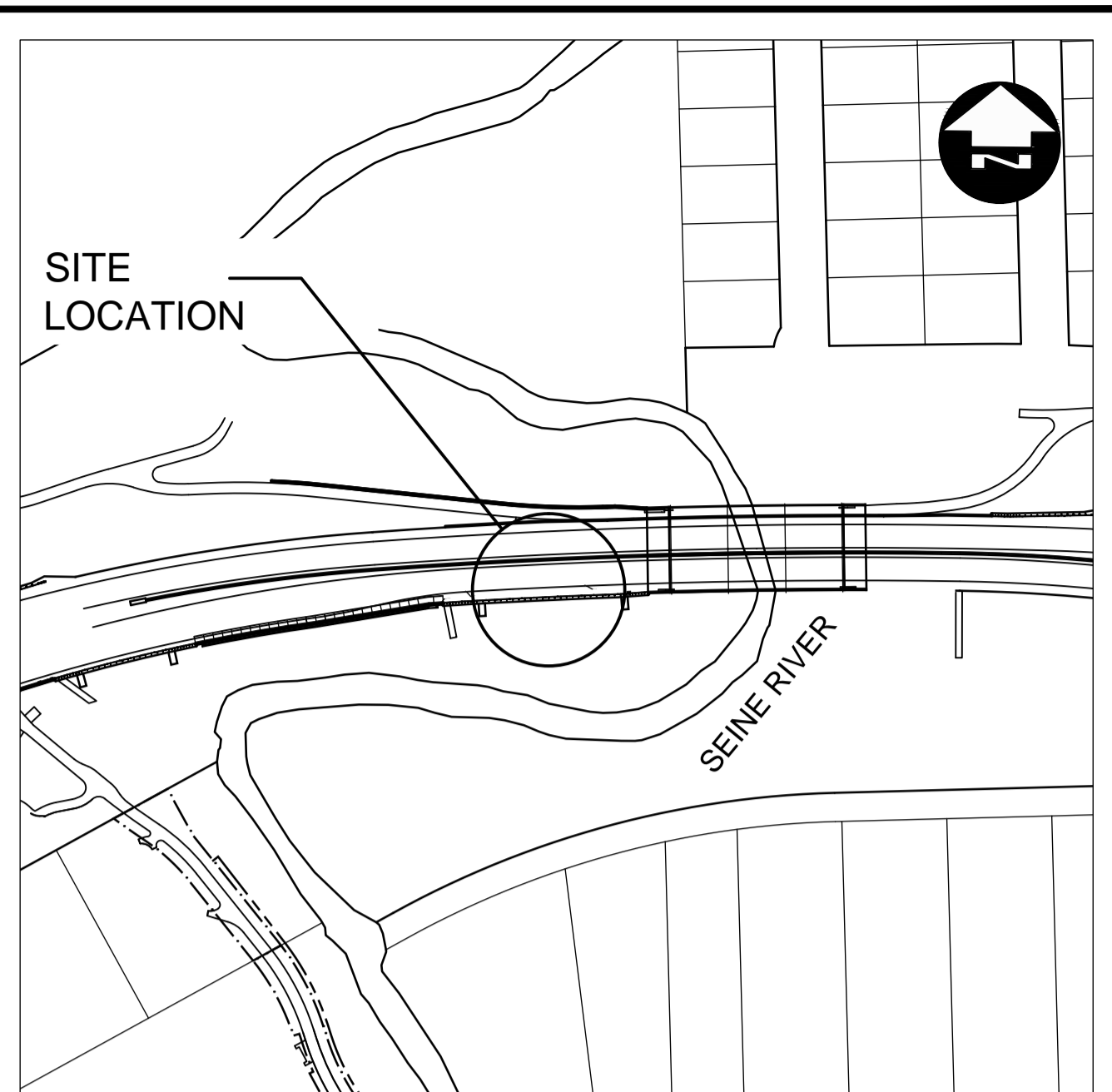
**A GUARDRAIL SECTION**  
1:20



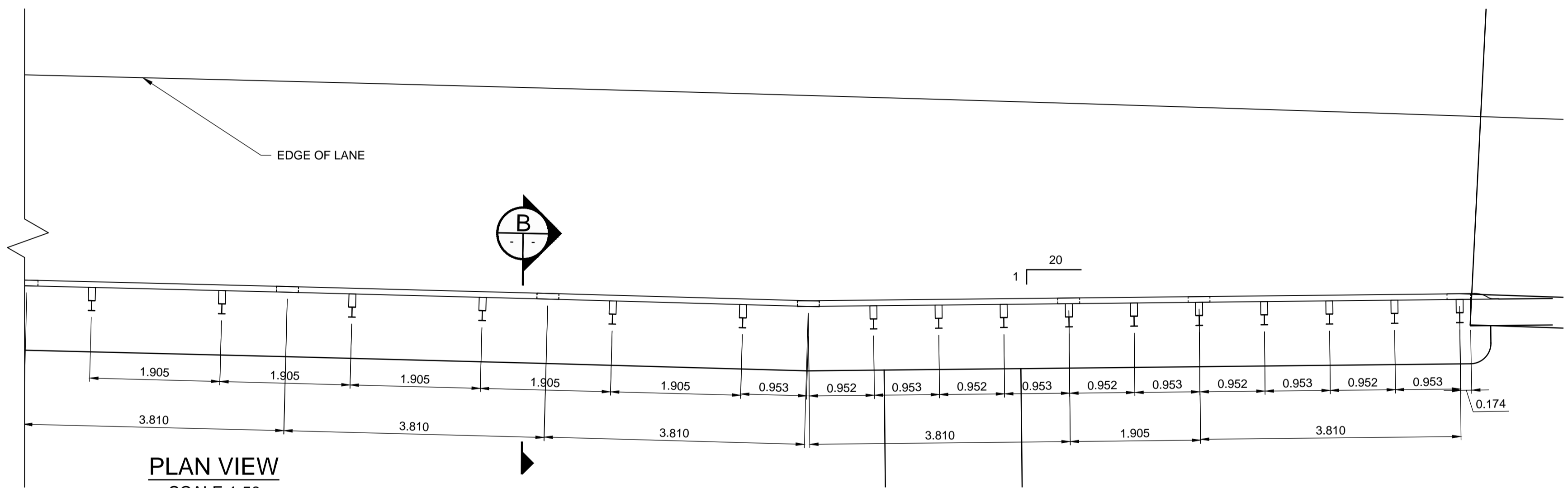
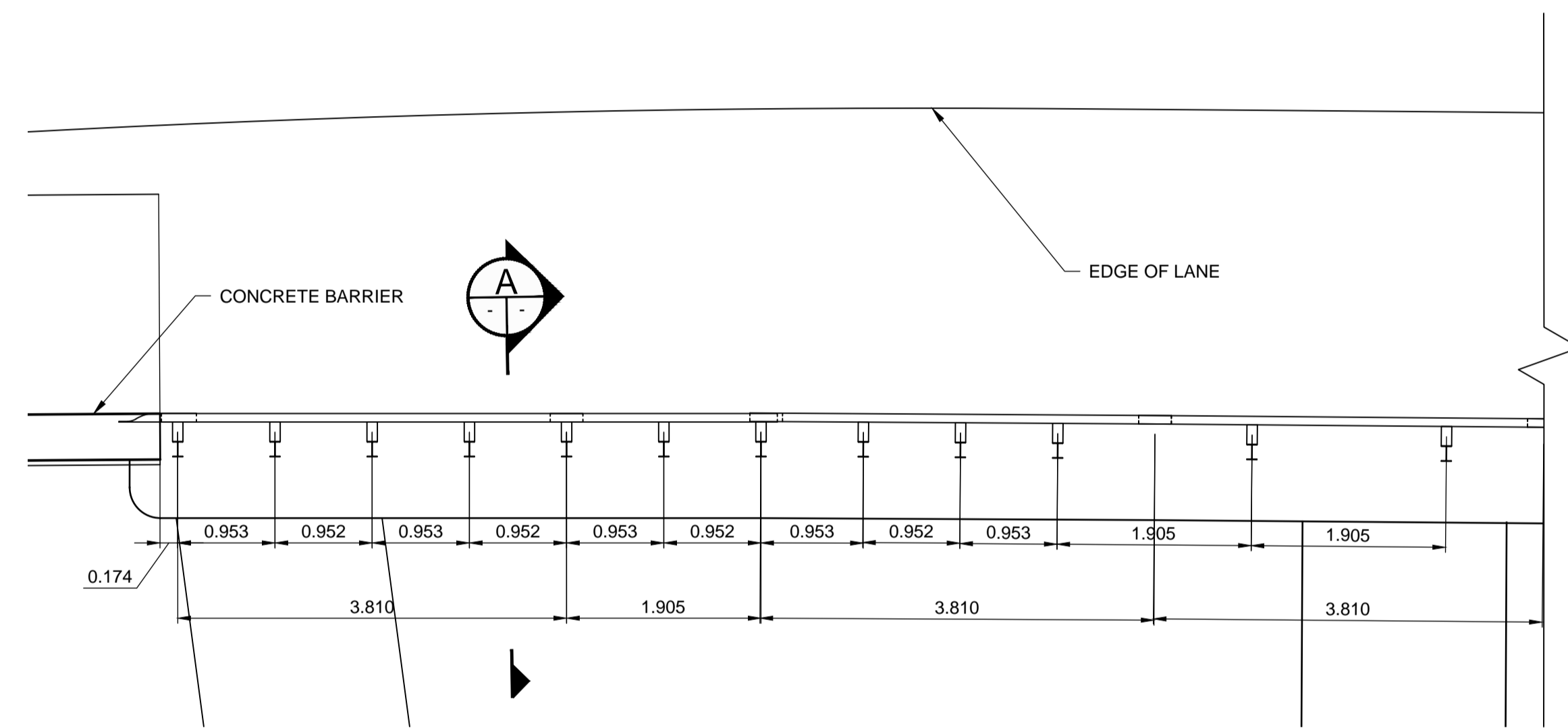
**B GUARDRAIL SECTION**  
1:20



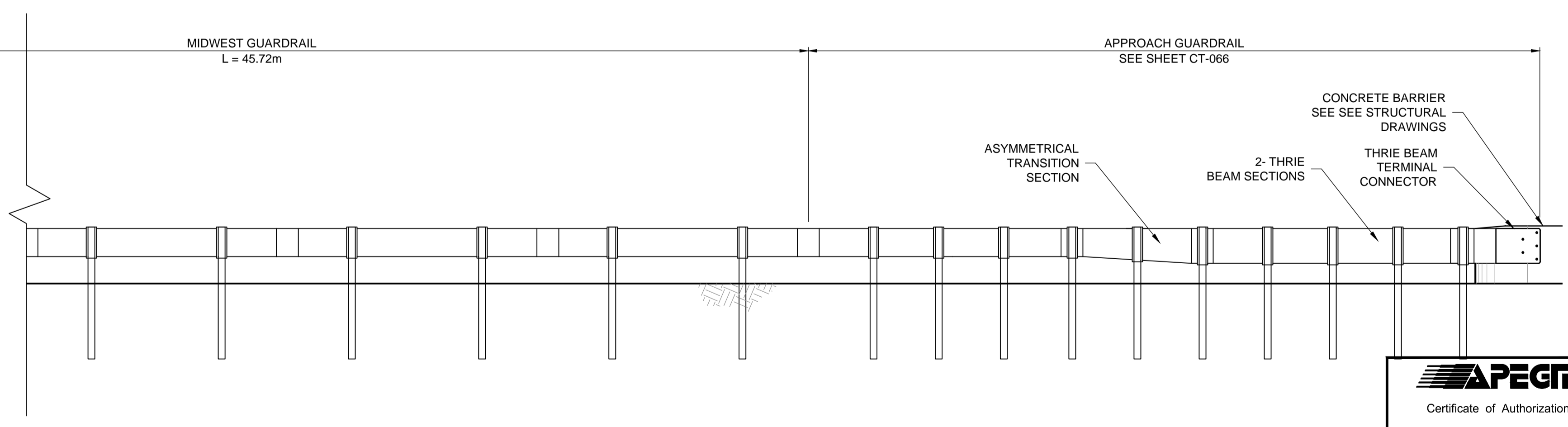
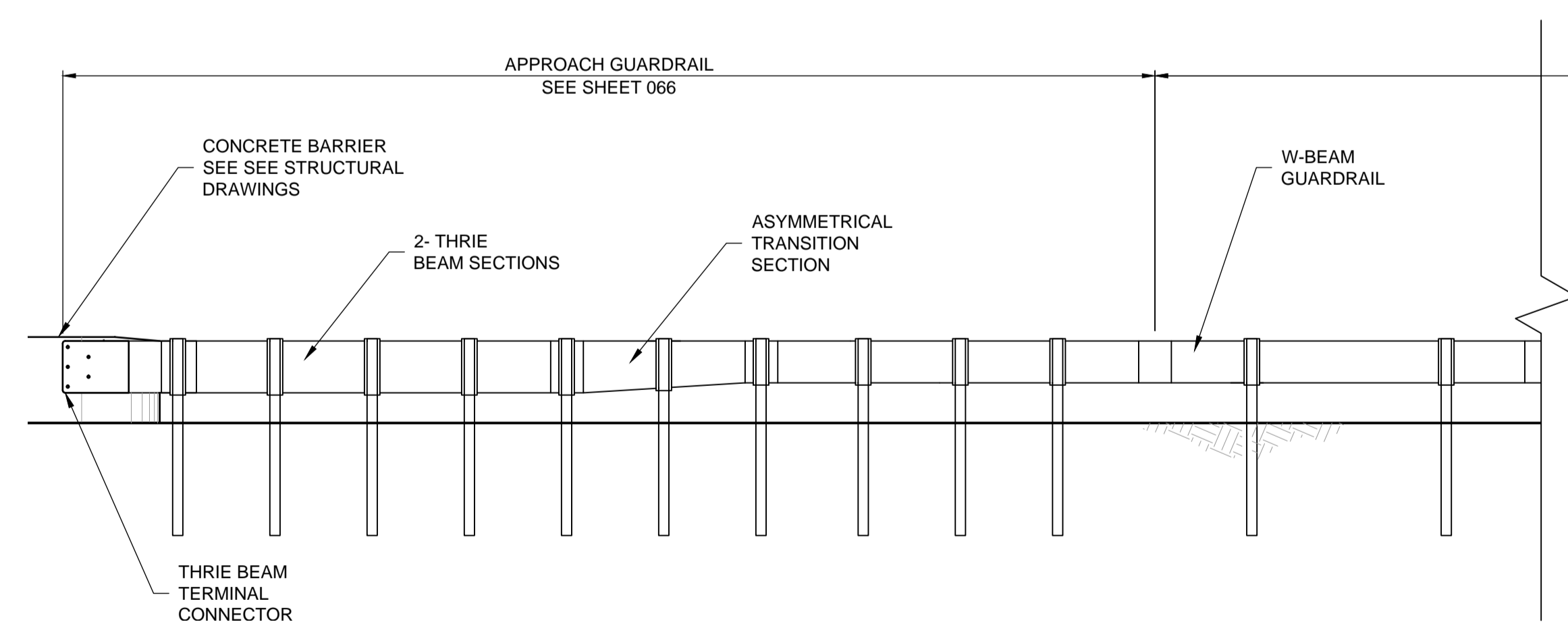
**SITE PLAN**  
SCALE 1:250



**SITE LOCATION**



**PLAN VIEW**  
SCALE 1:50



**ELEVATION VIEW**  
SCALE 1:50

**APEGM**  
Certificate of Authorization  
Dillon Consulting Limited (MB)  
No. 1789 Date: 18/02/09

G:\CAD\175932\Drawings\Roadworks\CON-CT-GUARDRAIL-LAYOUT.dwg

150 WM	WATERMAIN	150 WM	CONCRETE	150 WM	WATERMAIN	150 WM	WATERMAIN
300 LDS	HYDRANT	300 LDS	ASPHALT	300 LDS	LAND DRAINAGE SEWER	300 LDS	LAND DRAINAGE SEWER
250 WWS	VALVE	250 WWS	PLANING	250 WWS	WASTE WATER SEWER	250 WWS	WASTE WATER SEWER
300 LDS	MANHOLE	300 LDS	SIDEWALK	300 LDS	HYDRANT	300 LDS	HYDRANT
250 WWS	CATCH BASIN	250 WWS	PAVING STONES	250 WWS	VALVE	250 WWS	VALVE
100 GAS	CURB INLET	100 GAS	PARTIAL DEPTH REPAIR	100 GAS	Q PROFILE	100 GAS	Q PROFILE
300 LDS	LAND DRAINAGE SEWER	300 LDS	PROPERTY LINE	300 LDS	NORTH/WEST GUTTER	300 LDS	NORTH/WEST GUTTER
250 WWS	WASTE WATER SEWER	250 WWS	DRAINAGE ARROW	250 WWS	SOUTH/EAST GUTTER	250 WWS	SOUTH/EAST GUTTER
HYDRO	HYDRO	HYDRO	CURB RAMP (SD-229C)	HYDRO	NORTH/WEST DITCH	HYDRO	NORTH/WEST DITCH
M.T.S.	M.T.S.	M.T.S.	DETECTABLE WARNING SURFACE TILE (SD-229AA)	M.T.S.	SOUTH/EAST DITCH	M.T.S.	SOUTH/EAST DITCH
100 GAS	GAS	100 GAS		100 GAS		100 GAS	
EXISTING	LEGEND-PLAN	PROPOSED	EXISTING	LEGEND-PLAN	PROPOSED	EXISTING	LEGEND-PROFILE

**UNDERGROUND STRUCTURES**

SUPPLY U/G STRUCTURES DATE

LOCATION OF UNDERGROUND STRUCTURES AS SHOWN ARE BASED ON THE BEST INFORMATION AVAILABLE. BUT NO GUARANTEE IS GIVEN THAT ALL EXISTING UTILITIES ARE SHOWN OR THAT THE GIVEN LOCATIONS ARE EXACT. CONFIRMATION OF EXISTENCE AND EXACT LOCATION OF ALL SERVICES MUST BE OBTAINED FROM THE INDIVIDUAL UTILITIES BEFORE PROCEEDING WITH CONSTRUCTION.

B.M. ELEV. SEE SHEET CT-001 FOR CONTROL POINT INFORMATION

1	ADDENDUM #5	18/03/16	JNC
0	ISSUED FOR TENDER	18/02/09	JNC
NO.	REVISIONS	DATE	BY

DESIGNED BY JAT

DRAWN BY PMW

CHECKED BY JNC

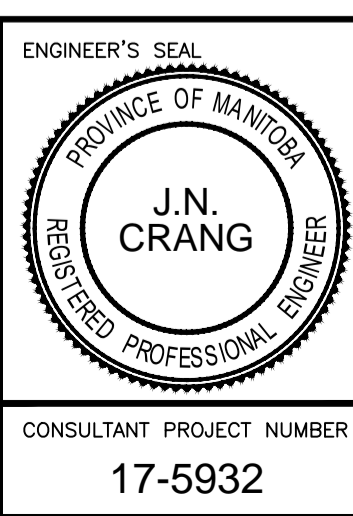
APPROVED BY JNC

HOR. SCALE AS NOTED

VERTICAL AS NOTED

RELEASED FOR CONSTRUCTION

DATE



**THE CITY OF WINNIPEG**  
PUBLIC WORKS DEPARTMENT

**FERMOR AVENUE BRIDGE OVER SEINE RIVER**  
BRIDGE REHABILITATION, PEDESTRIAN-CYCLIST UNDERPASS STRUCTURE AND ROADWORKS FROM ST. ANNE'S ROAD TO ARCHIBALD STREET

CITY DRAWING NUMBER P-3489-2017-CT-065B  
SHEET 065B OF 067  
CONSULTANT DRAWING NUMBER CT-065B

CONSULTANT PROJECT NUMBER 17-5932