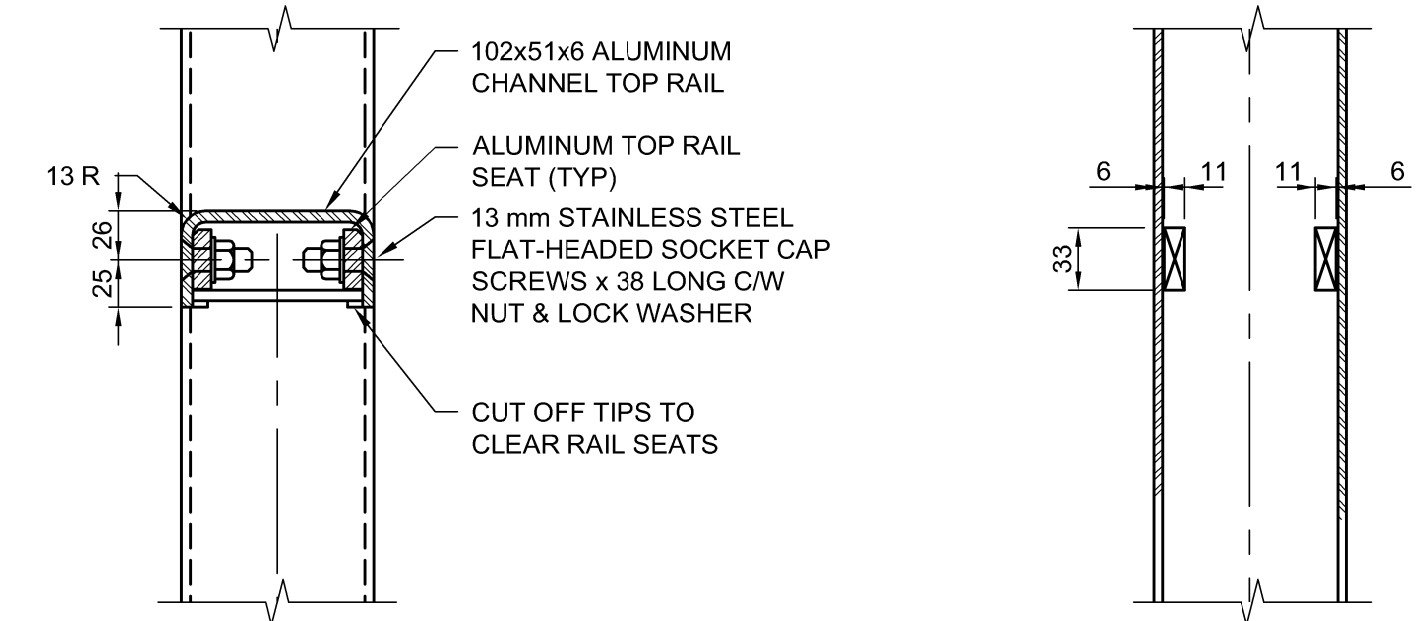
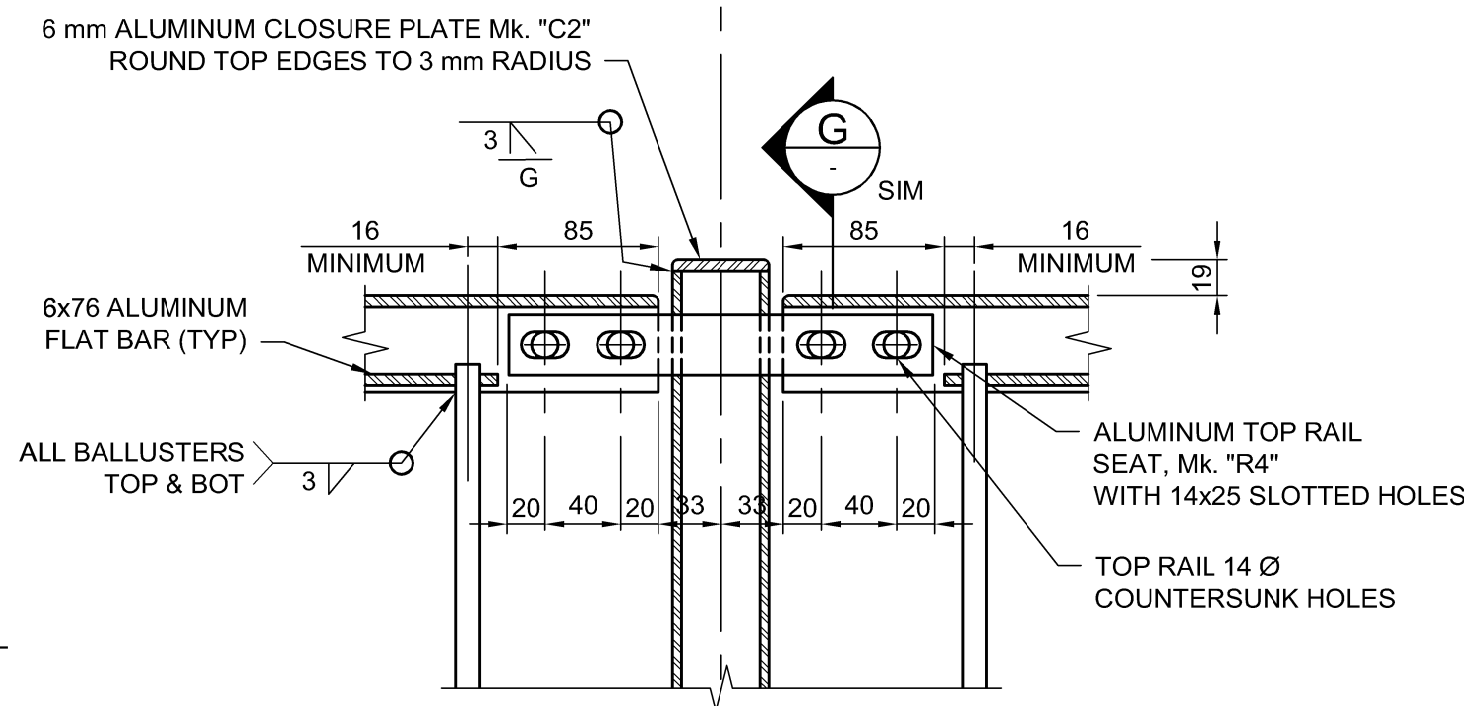
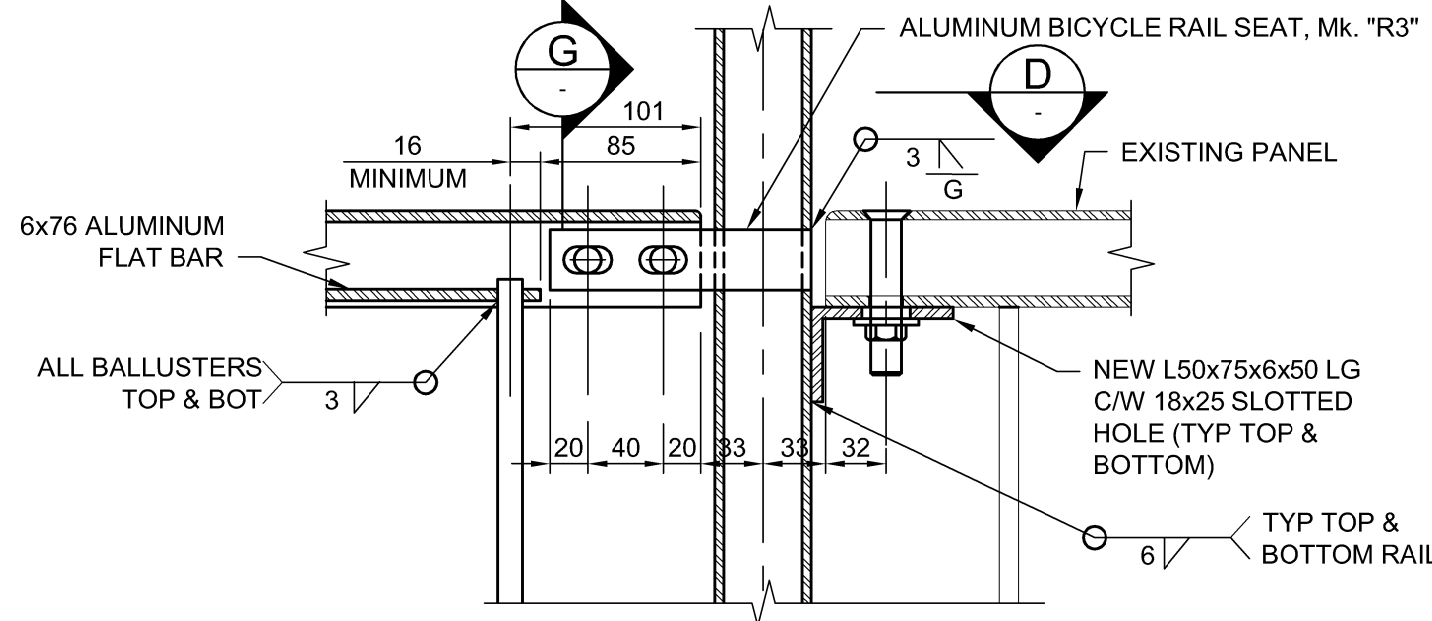
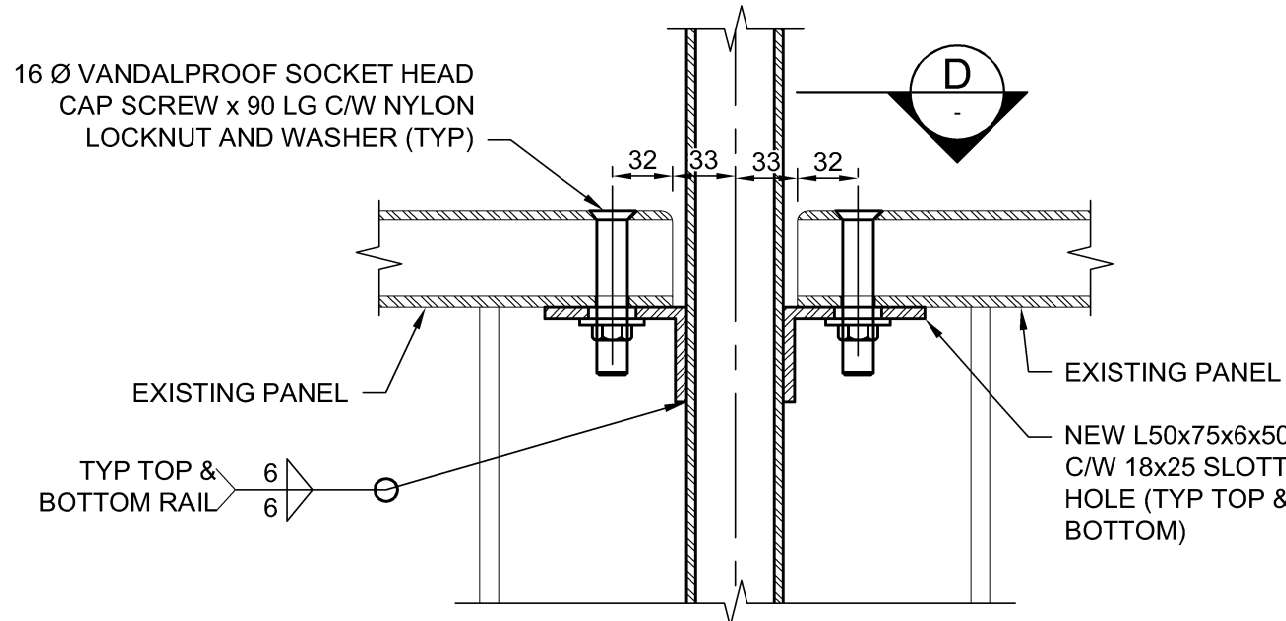
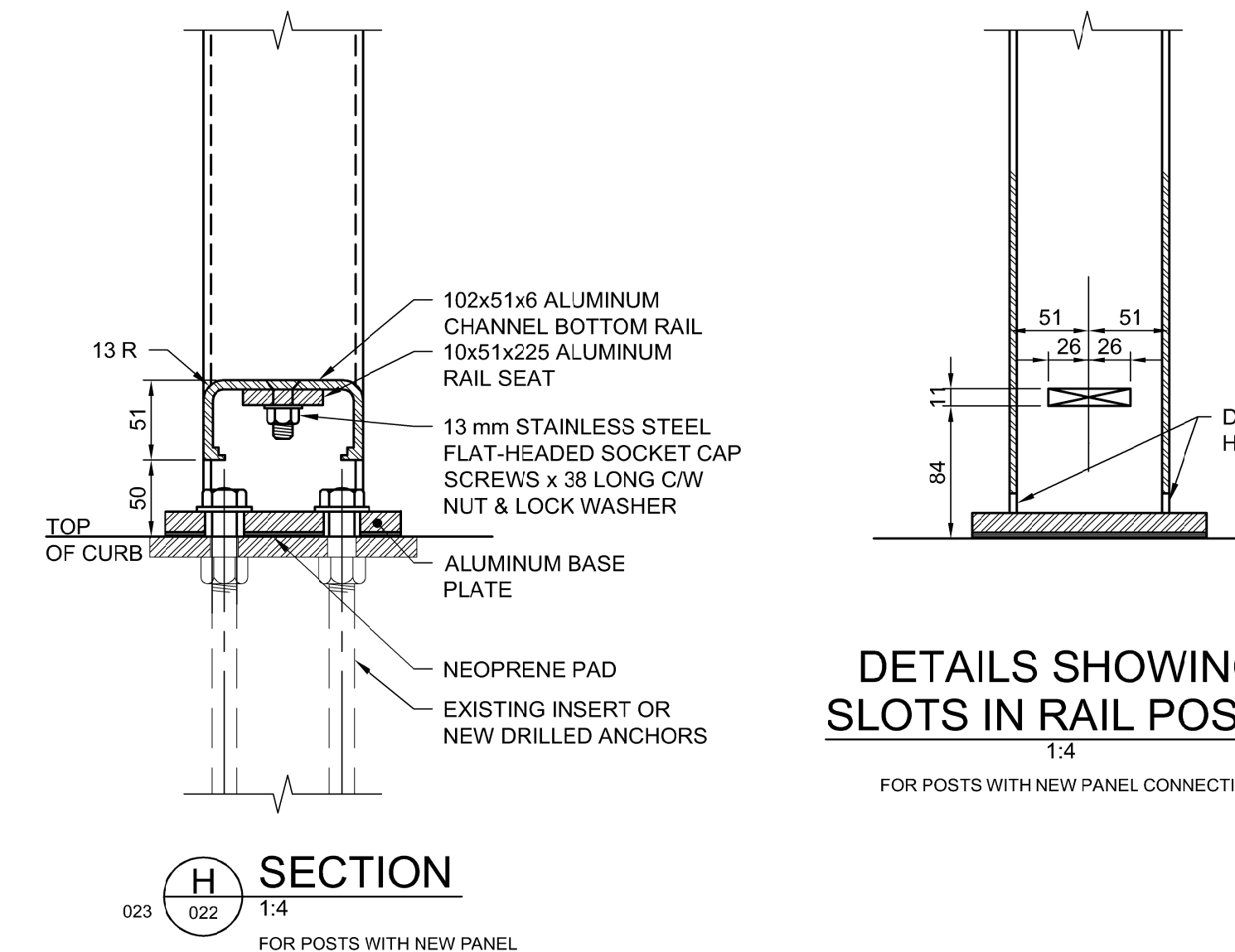
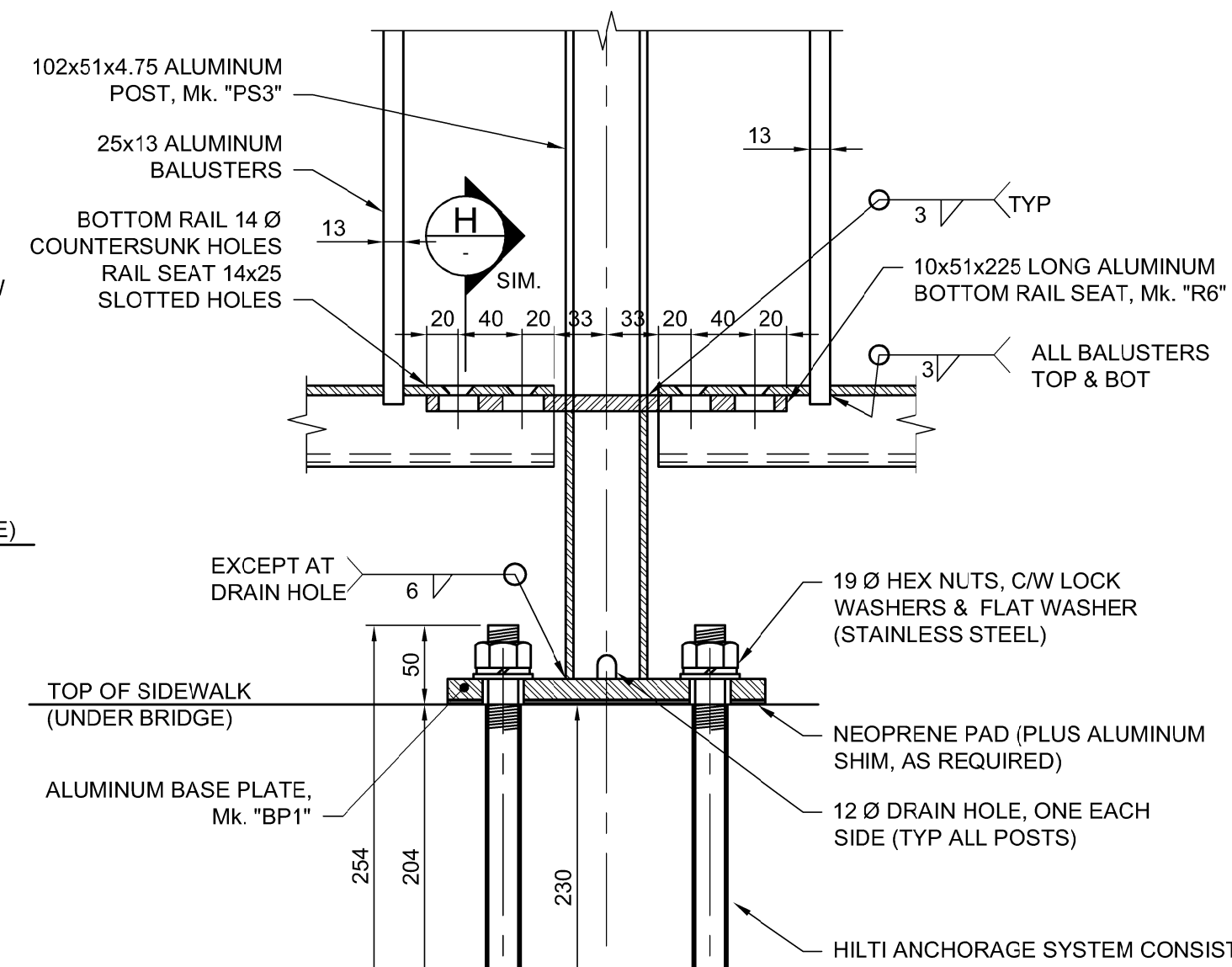
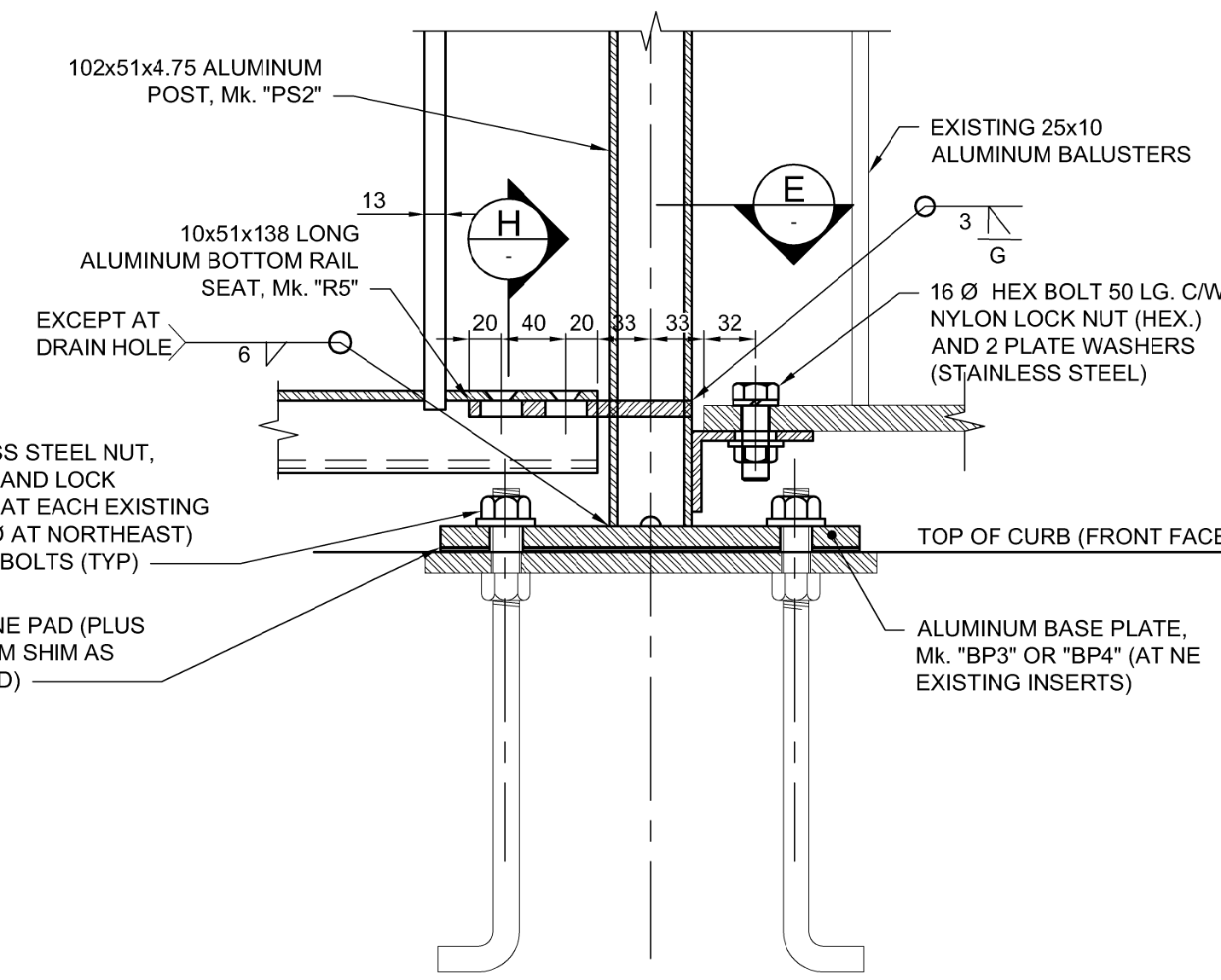
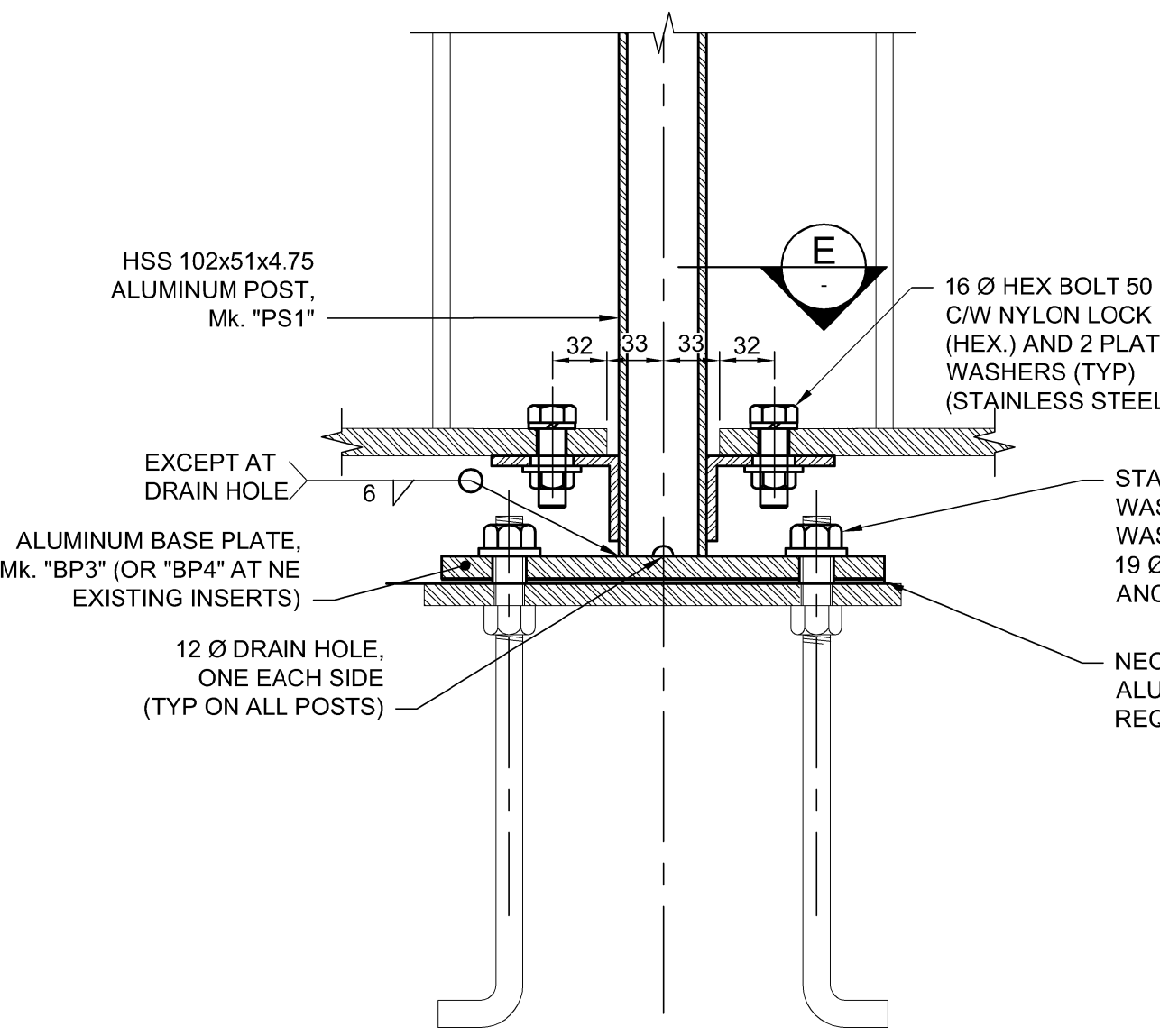


F SECTION  
023 022 1:4



G SECTION  
023 022 1:4



H SECTION  
023 022 1:4

DETAIL OF POST Mk. "P1"  
1:4

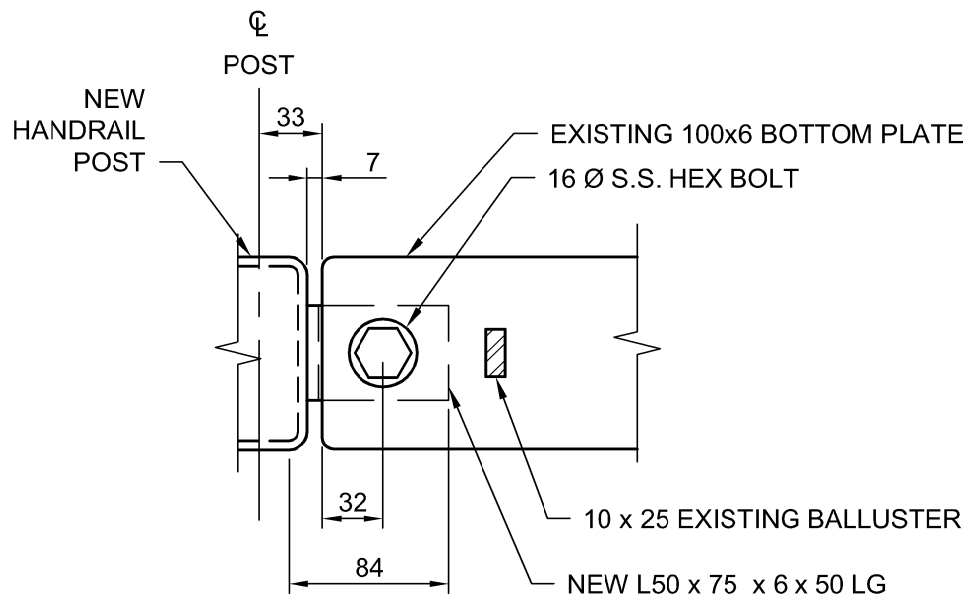
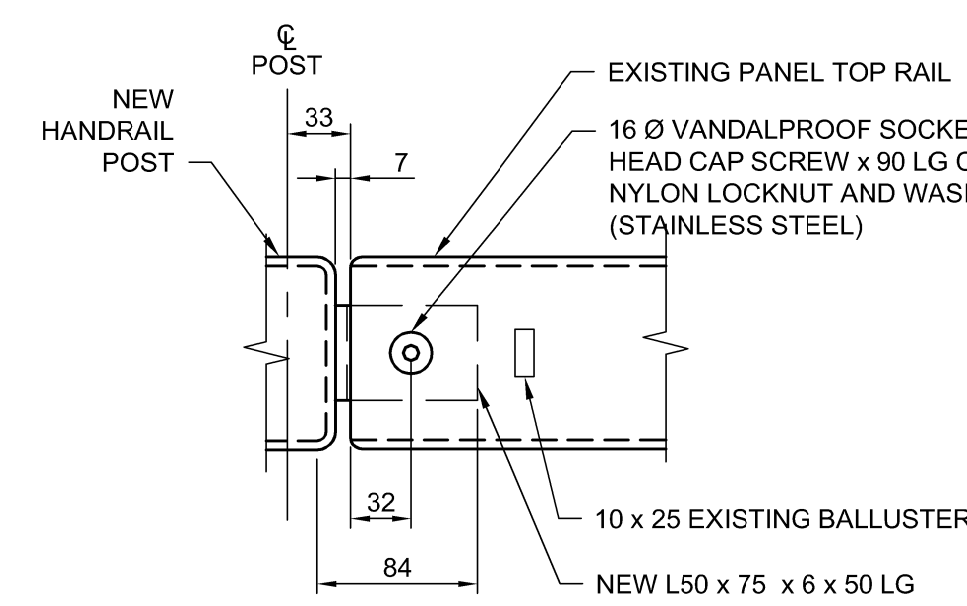
DETAIL OF POSTS Mk. "P2" & "P2B"  
1:4

DETAIL OF POST Mk. "P3"  
1:4

DETAILS SHOWING SLOTS IN RAIL POSTS  
1:4

FOR POSTS WITH NEW PANEL CONNECTION

NOTE:  
ALL POSTS AND CONNECTIONS SHOWN MAY  
HAVE OPPOSITE ORIENTATION



D SECTION  
023 022 1:4

E SECTION  
023 022 1:4

TYPICAL TOP RAIL CONNECTION  
OF EXISTING PANEL  
OPP. SIDE SIMILAR

TYPICAL BOTTOM RAIL CONNECTION  
OF EXISTING PANEL  
OPP. SIDE SIMILAR

NOTE: SITE MEASURE AND ADJUST  
BOTTOM GAP AND POST "P3" HEIGHT TO  
ENSURE TOP RAIL HEIGHT IS CONSISTENT  
ALONG PEDESTRIAN RAIL.

**APEGM**  
Certificate of Authorization  
Dillon Consulting Limited (MB)  
No. 1789 Date: 18/03/16

UNDERGROUND STRUCTURES	B.M. ELEV.	DESIGNED BY	DRA
SUPV. U/G STRUCTURES	DATE	DRAWN BY	DJB
		CHECKED BY	DRA
		APPROVED BY	NBG
		HOR. SCALE	-
		VERTICAL	-
0 ISSUED FOR TENDER	18/03/16	TJP	
NO. REVISIONS	DATE	BY	DATE

**DILLON CONSULTING**

ENGINEER'S SEAL  
PROVINCE OF MANITOBA  
D.R.C. AMORIM  
18/03/16  
Member 33215  
REGISTERED PROFESSIONAL ENGINEER

**THE CITY OF WINNIPEG**  
PUBLIC WORKS DEPARTMENT

2018 REGIONAL STREET RENEWAL PROJECT  
McPHILLIPS STREET RECONSTRUCTION AND UNDERPASS  
STRUCTURAL IMPROVEMENTS  
LOGAN AVENUE TO JARVIS AVENUE

ALUMINUM PEDESTRIAN HANDRAIL  
DETAILS (2 OF 5)

CITY DRAWING NUMBER  
U212-18CS-022 -R0  
SHEET 022 OF 026  
CONSULTANT DRAWING NUMBER  
CS-022

CONSULTANT PROJECT NUMBER  
17-6152

G:\CAD\176152\Drawings\Structural\Contract\176152-COM-CS-PED-HANDRAIL-DETAILS\_2.dwg