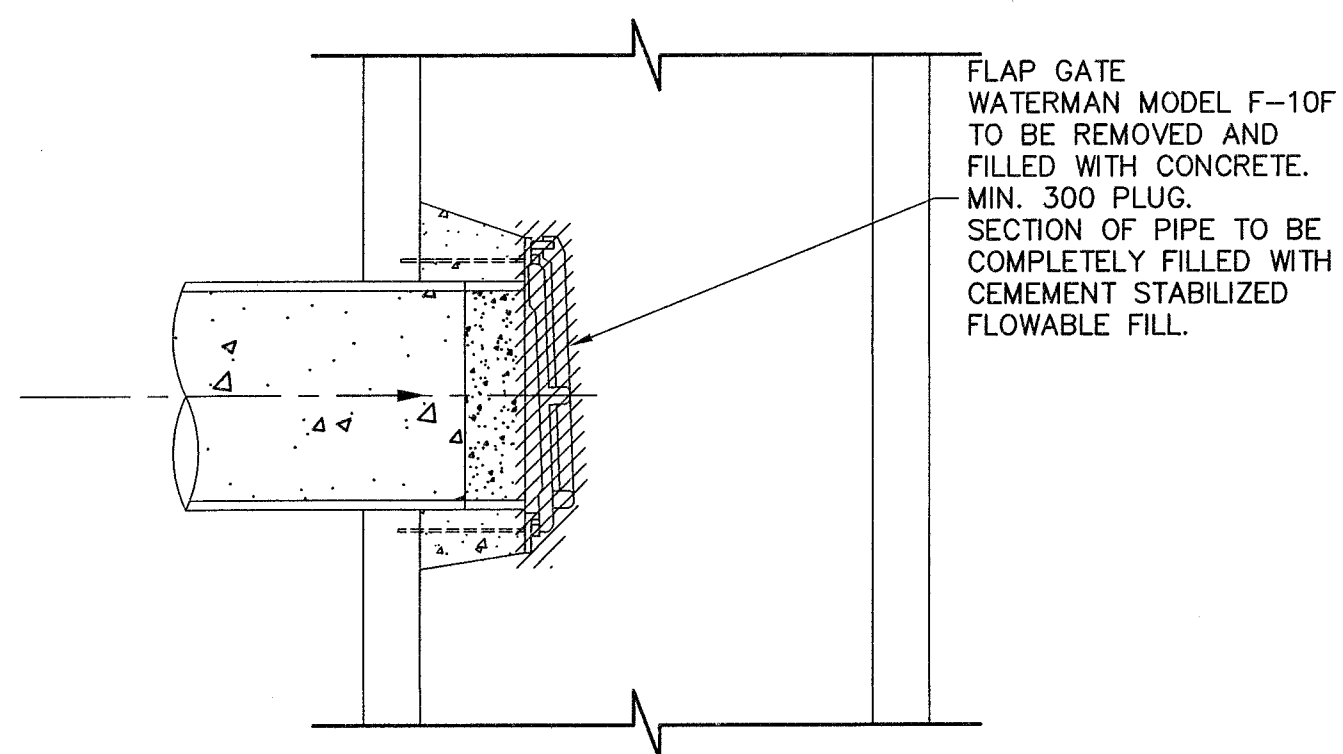
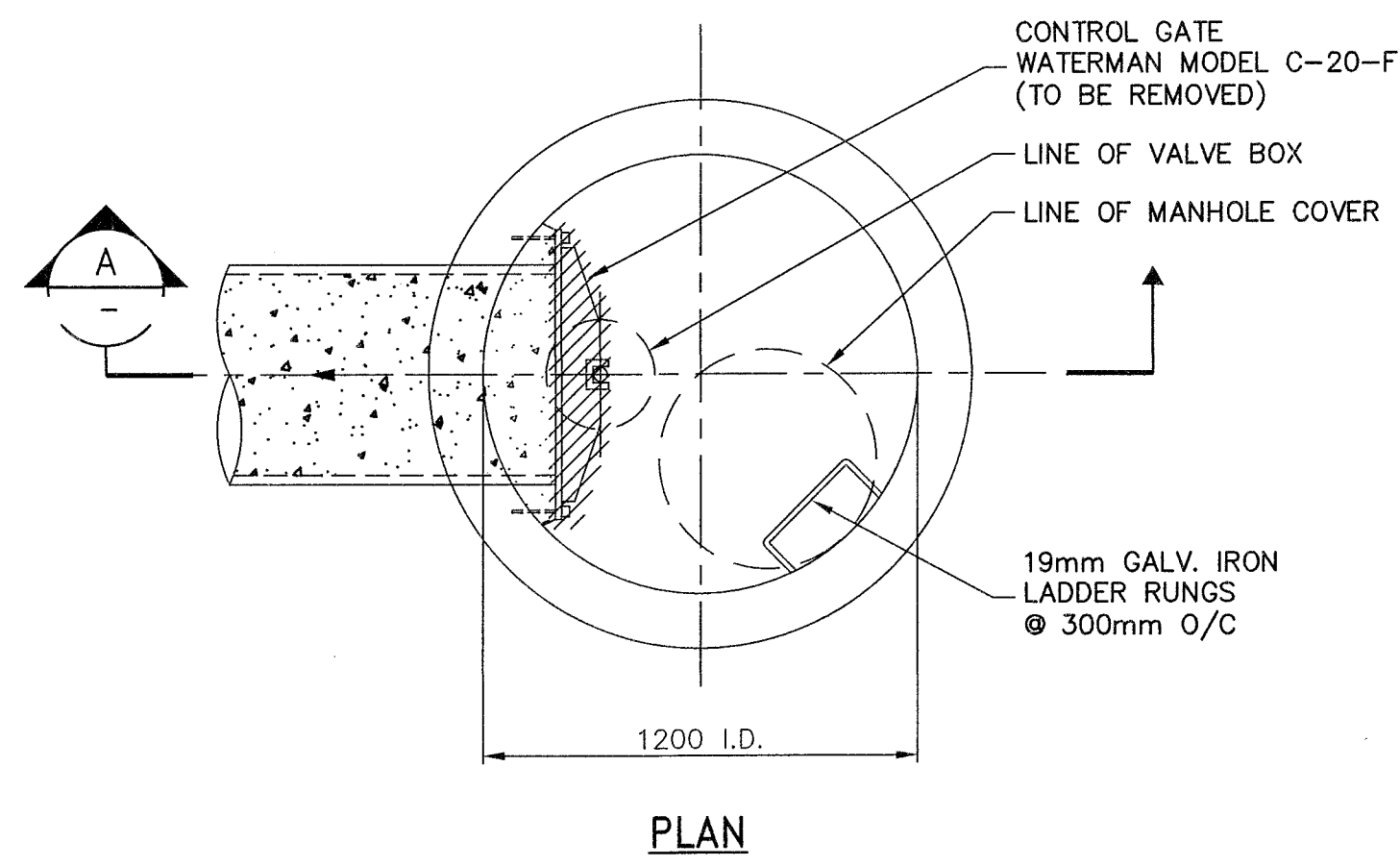


PLAN

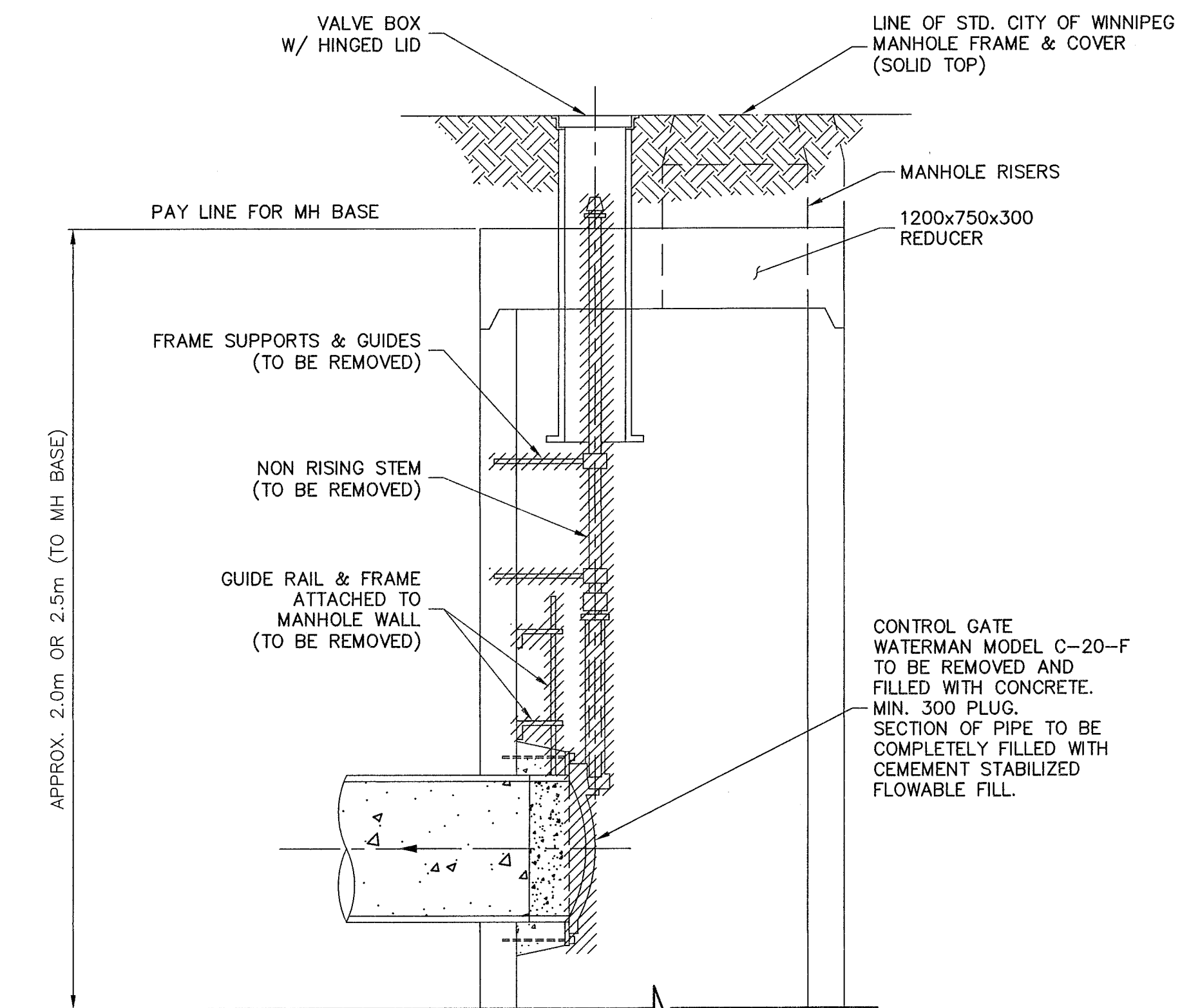


SECTION A-A

1 FLAP GATE IN EXISTING DMH
NTS



PLAN



SECTION A-A

2 CONTROL GATE FOR
OVERFLOWS TO STORM SEWERS
NTS

CONSTRUCTION NOTES:

- EXISTING CROSS CONNECTION COMPRISING OF FLAP AND SLUICE GATES BETWEEN WWS AND LDS SYSTEMS TO BE INVESTIGATED. THE SALVAGE POTENTIAL TO BE PROVIDED TO THE CONTRACT ADMINISTRATOR PRIOR TO REMOVAL AS PER SPECIFICATIONS.
- REFER TO DRAWING LD-8407 FOR TYPICAL PROFILE DETAILS.
- LOCATION TO BE CONFIRMED IN FIELD VIA SITE VISIT BETWEEN CONTRACT ADMINISTRATOR AND CONTRACTOR AS PER SPECIFICATIONS.

SANITARY MANHOLE LOCATION	ASSET REFERENCE	PIPE SIZE	PIPE LENGTH
McMEANS AVENUE @ LANCELOT PLACE	S-CS00000530	300	7.0m
McMEANS AVENUE @ WAYOATA STREET	S-CS00000554	300	8.0m
RAVELSTON AVENUE @ LEOLA STREET	S-CS00000593	300	2.0m
MELROSE AVENUE @ WAYOATA STREET	S-MH70047437	300	11.0m
REGENT AVENUE @ BREWSTER STREET	S-MH70036964	300	1.0m
WAYOATA STREET @ COLDSTREAM AVENUE	S-MH40008757	300	10.0m

B.M. ELEV. CONSTRUCTION COMPLETION DATE: YYYY MM DD				ENGINEER'S SEAL 11-92-17 			
DESIGNED BY	MAF	CHECKED BY	MD	TRANSCONA SEWER RELIEF WORKS CONTRACT NO. 4		SHEET 17 OF 19 CITY DRAWING NUMBER	
DRAWN BY	JBC	APPROVED BY	<i>E. Sharp</i>	EXISTING MANHOLE ABANDONMENT DETAILS 1		LD-8406	
SCALE:	HORIZONTAL AS NOTED	RELEASED FOR CONSTRUCTION	DATE	CONSULTANT DRAWING NUMBER C-505			
0	ISSUED FOR TENDER	11/17	JBC				
NO.	REVISIONS	DATE	BY	PLOT DATE: 2017 11 02		FILE PATH: C:\pwworkdir\den001\jortez1\dl184428\ C-505.dwg	