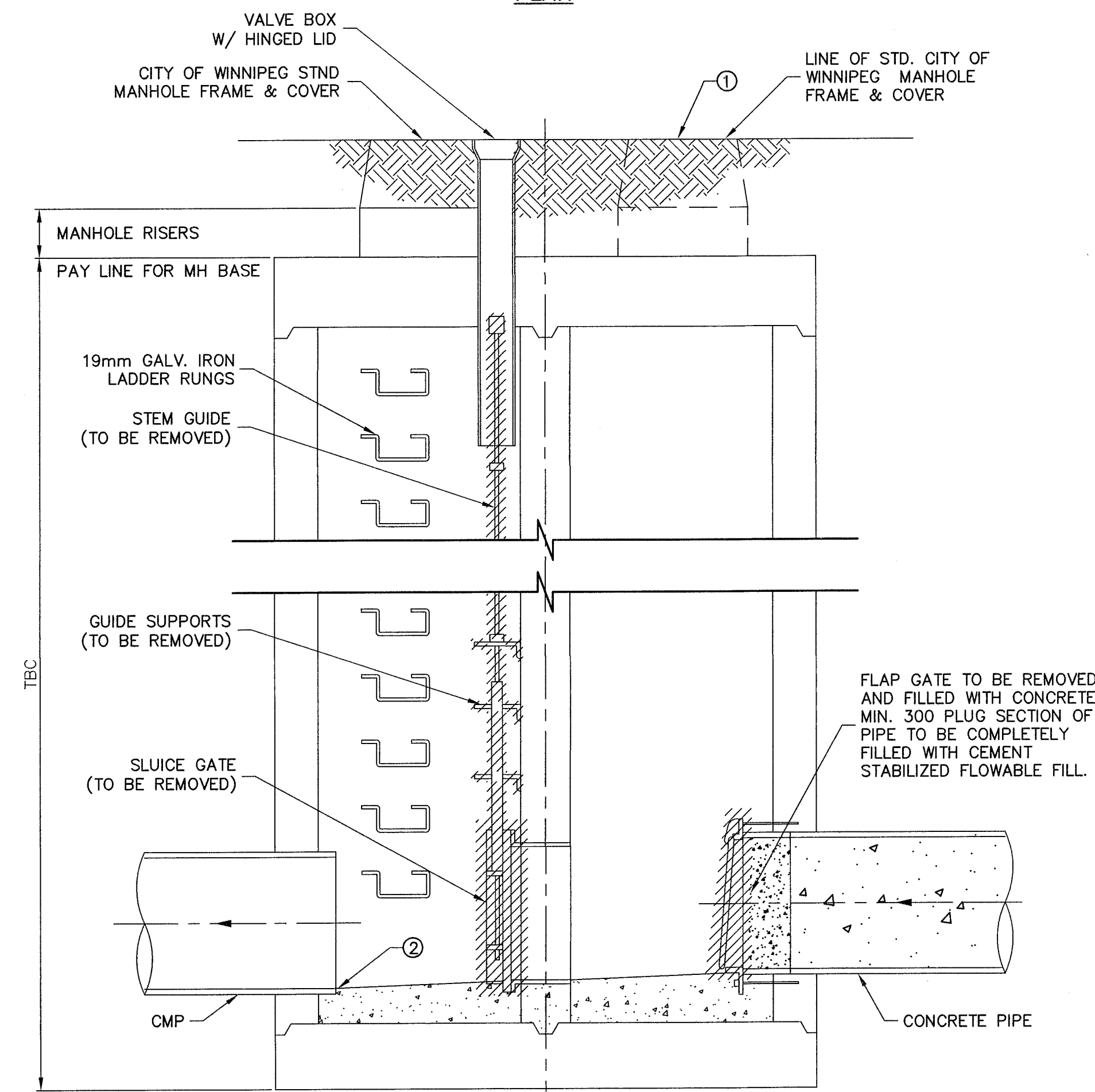


PLAN



SECTION A-A

1 EXISTING SPECIAL MANHOLE
NTS

SANITARY MANHOLE LOCATION	ASSET REF.	PIPE SIZE	1	2
KILDARE AVENUE @ WIDLAKE STREET	S-MH40008838	300	234.60	229.22
KILDARE AVENUE @ WABASHA STREET	S-MH70031972	300	233.18	229.30
HAROLD AVENUE @ PRESIDENTS COURT	S-MH40008739	375	233.31	230.46
WAYOATA STREET 61m N OF KILDARE AVENUE	S-MH40008822	300	233.42	228.60
WAYOATA STREET @ ST CLAIRE BOULEVARD	S-MH40008836	300	233.36	229.06

CONSTRUCTION NOTES:

1. LOCATION TO BE CONFIRMED IN FIELD VIA SITE VISIT BETWEEN CONTRACT ADMINISTRATOR AND CONTRACTOR AS PER SPECIFICATIONS.
2. EXISTING FLAP AND SLUICE GATES TO BE INVESTIGATED AND CONDITION OF THESE TO BE PROVIDED TO CONTRACT ADMINISTRATOR PRIOR TO REMOVAL FOR RE-USE CONFIRMATION.



B.M. ELEV.	
CONSTRUCTION COMPLETION DATE: YYYY MM DD	
DESIGNED BY	MAF
DRAWN BY	JBC
SCALE:	AS NOTED
HORIZONTAL	-
VERTICAL	-
ISSUED FOR TENDER	11/17 JBC
NO.	REVISIONS
	DATE
	BY
	DATE

ch2m	
CHECKED BY	MD
APPROVED BY	<i>E. Sharp</i>
RELEASED FOR CONSTRUCTION	<i>E. Sharp</i>
DATE	11/30/17

ENGINEER'S SEAL
11-02-17
PROVINCE OF MANITOBA
Asst. GODON
Member
25524
REGISTERED PROFESSIONAL ENGINEER
CONSULTANT DRAWING NUMBER
C-507

THE CITY OF WINNIPEG
WATER AND WASTE DEPARTMENT
ENGINEERING DIVISION
TRANSCONA SEWER RELIEF WORKS
CONTRACT NO. 4
EXISTING MANHOLE ABANDONMENT
DETAILS 3
SHEET 19 OF 19
CITY DRAWING NUMBER
LD-8437