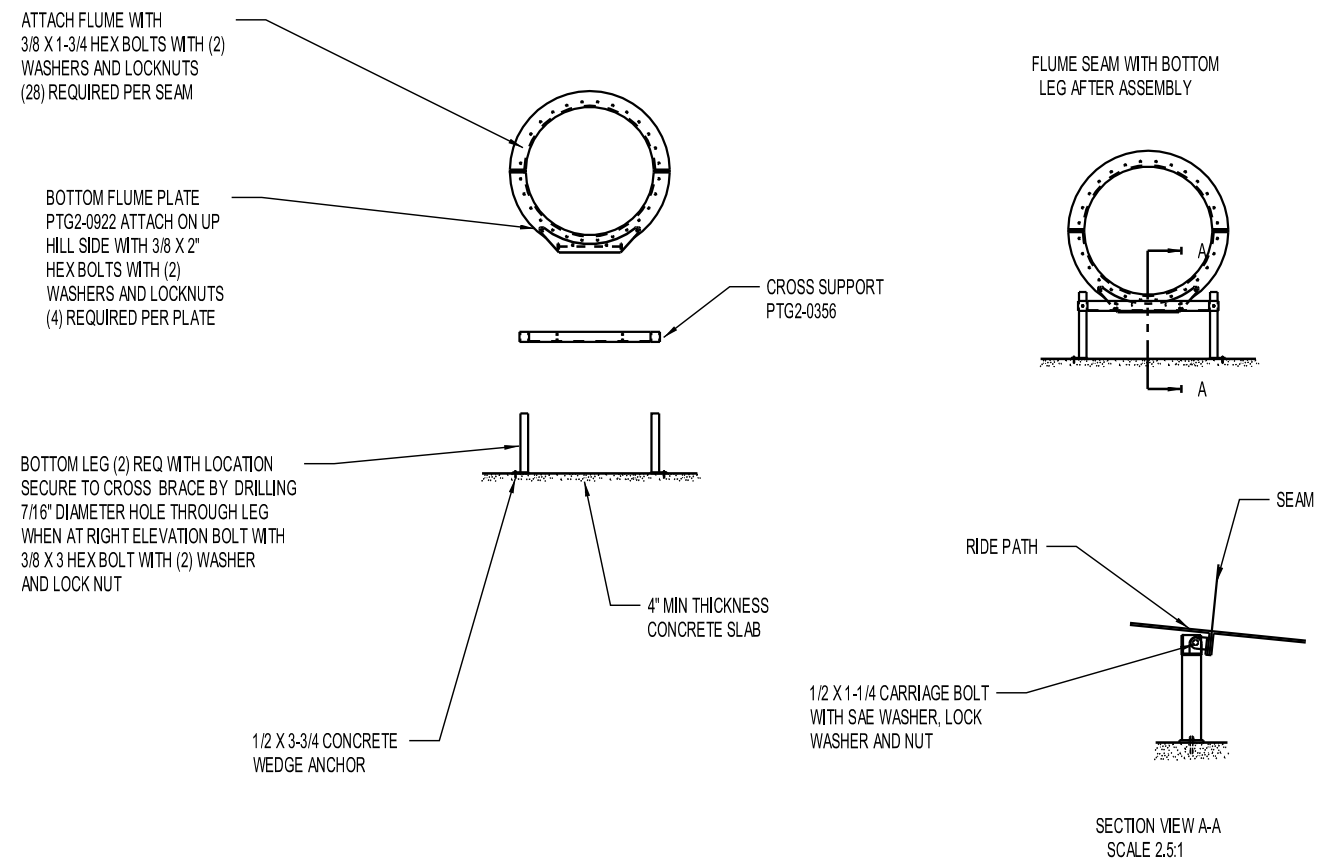


STAIR POST MOUNT DETAIL

1

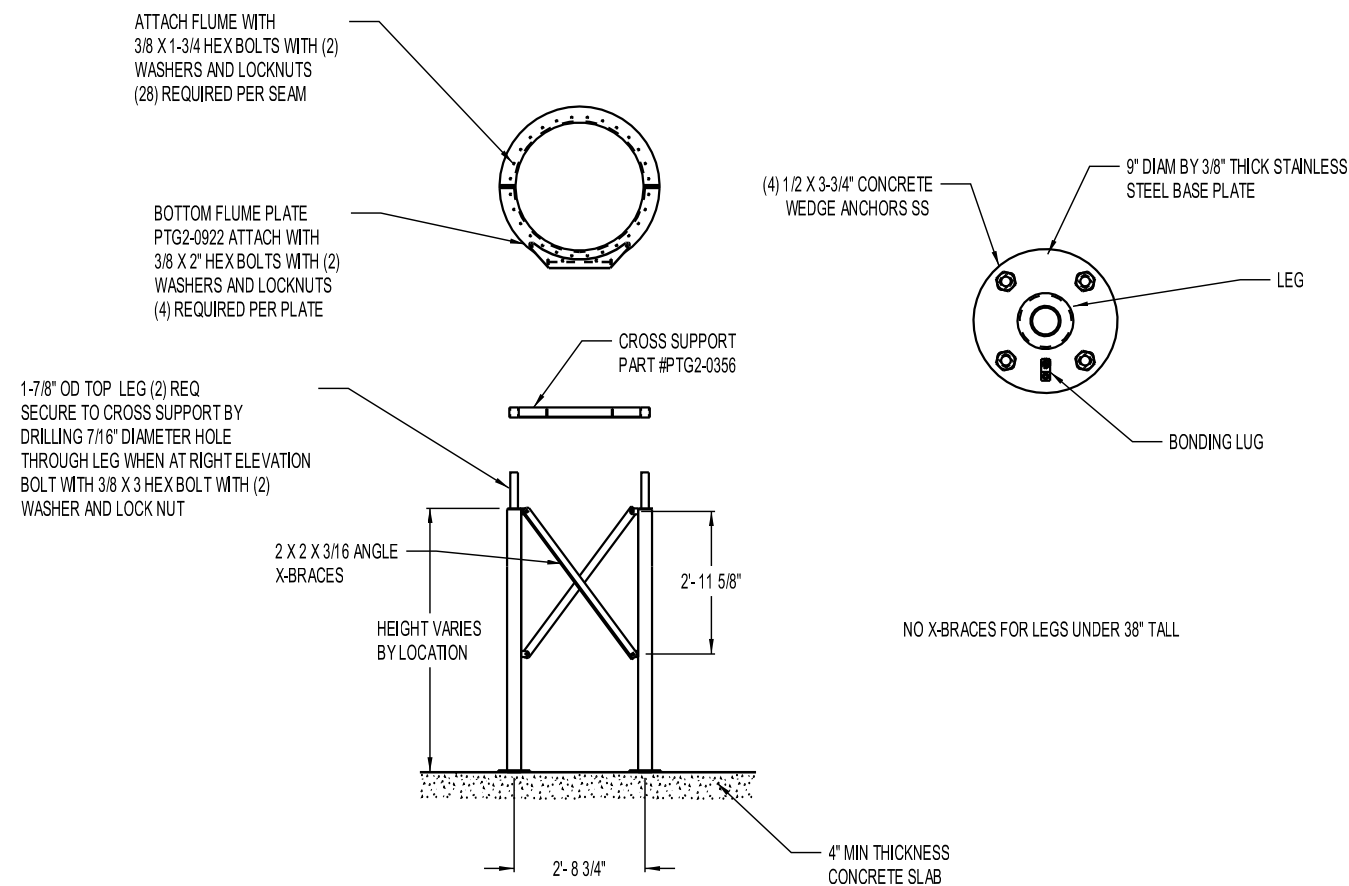
SCALE: 1:1

BOTTOM LEG MOUNT DETAIL



2

SCALE: 1:1

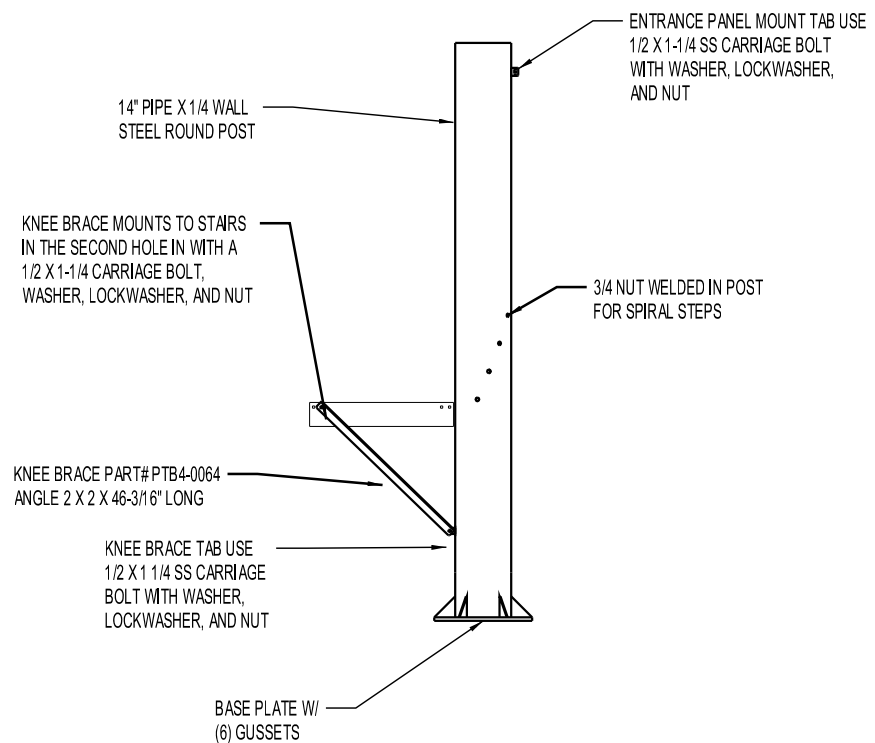


FLUME SUPPORT DETAIL "A" LEG

3

SCALE: 1:1

STAIR POST DETAIL



4

SCALE: 1:1