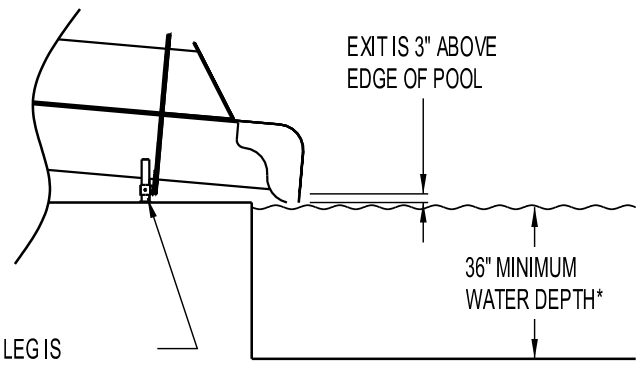
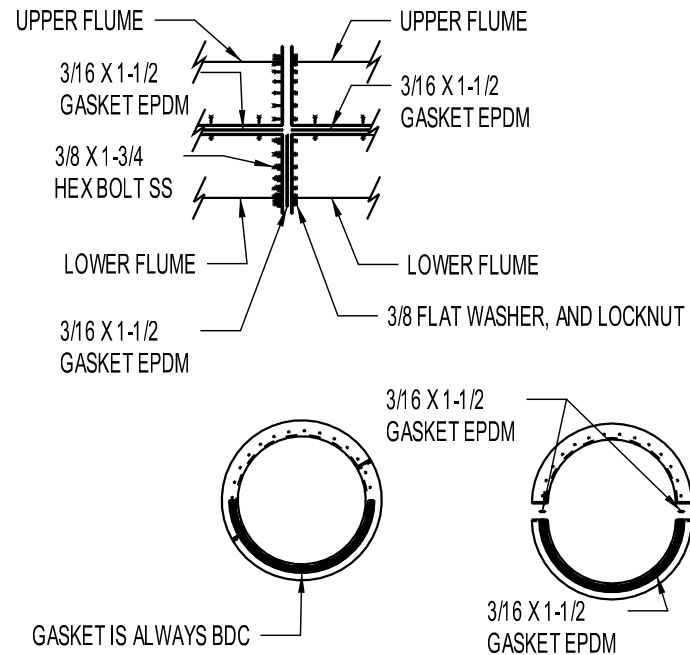


WATER REQUIREMENTS	
FLUME EXIT ABOVE WATER LEVEL	WATER DEPTH
0" - 6"	3' - 0"
6.01" TO 24"	3' - 6"

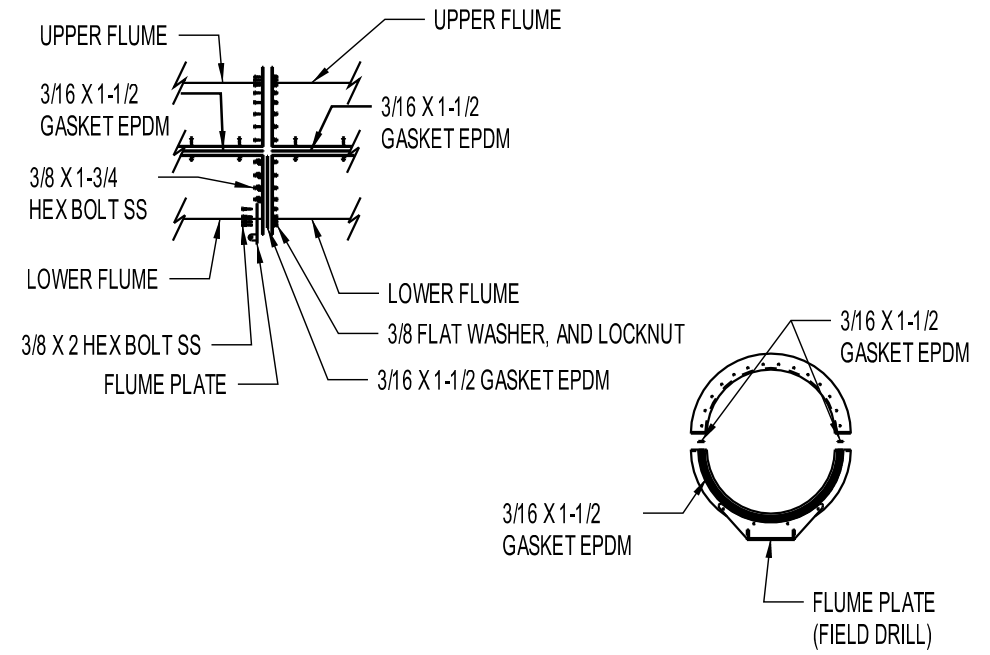


BOTTOM LEG PTG2-0355 LEG IS ADJUSTABLE AND SUPPORTS SLIDE EXIT

* SEE CHART ABOVE



WHEN SEAM HAS NO PLATE THEN ALL HOLES GET 3/8 X 1-3/4 HEX BOLTS SS GASKET WILL GO AT BDC AND MAY CROSS OVER THE HORIZONTAL SEAMS.



WHEN SEAM HAS A FLUME PLATE, THE FLUME PLATE GETS 3/8 X 2 HEX BOLTS SS AND 3/8 X 1-3/4 HEX BOLTS SS FOR THE OTHER HOLES.

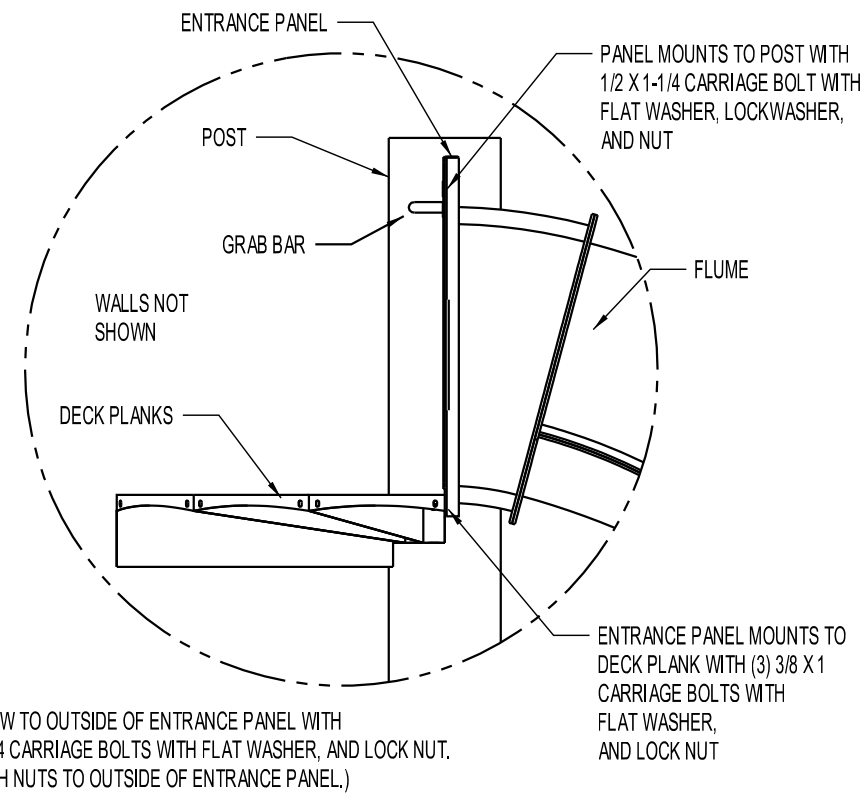
THE FLUME PLATE CAN BE ON THE UPHILL OR DOWNHILL SIDE OF SEAM. PLATE WILL BE MOUNTED EITHER AT BOTTOM DEAD CENTER OR AT TOP DEAD CENTER WHEN FLUME IS IN ITS FINAL LOCATION. CHECK SEAM LAYOUT FOR PLATE LOCATIONS.

EXIT DETAIL

1
SCALE: 1:1

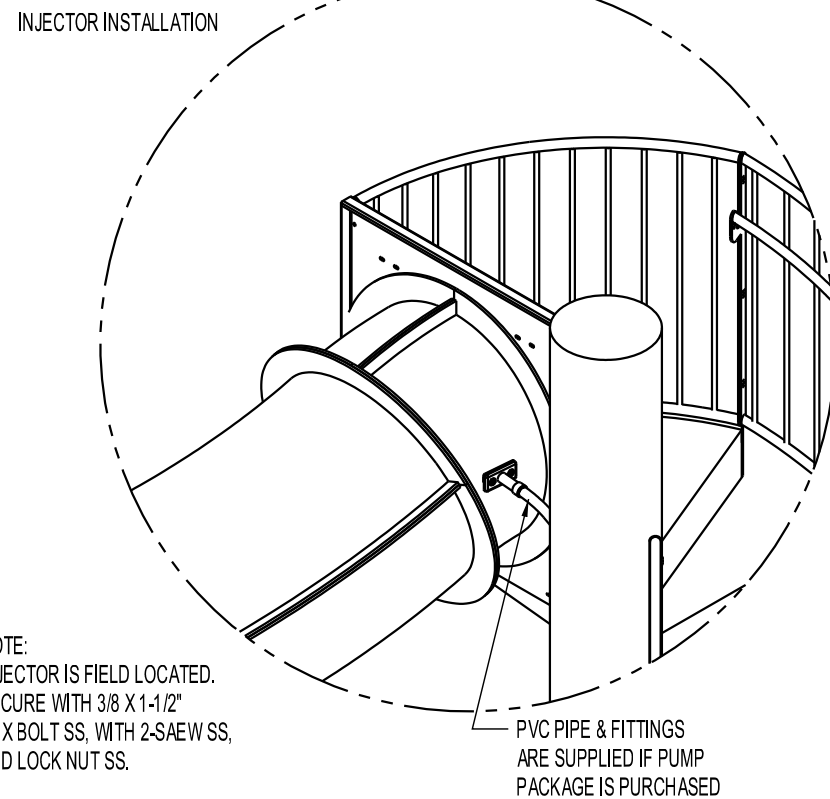
SEAM DETAIL

2
SCALE: 1:1

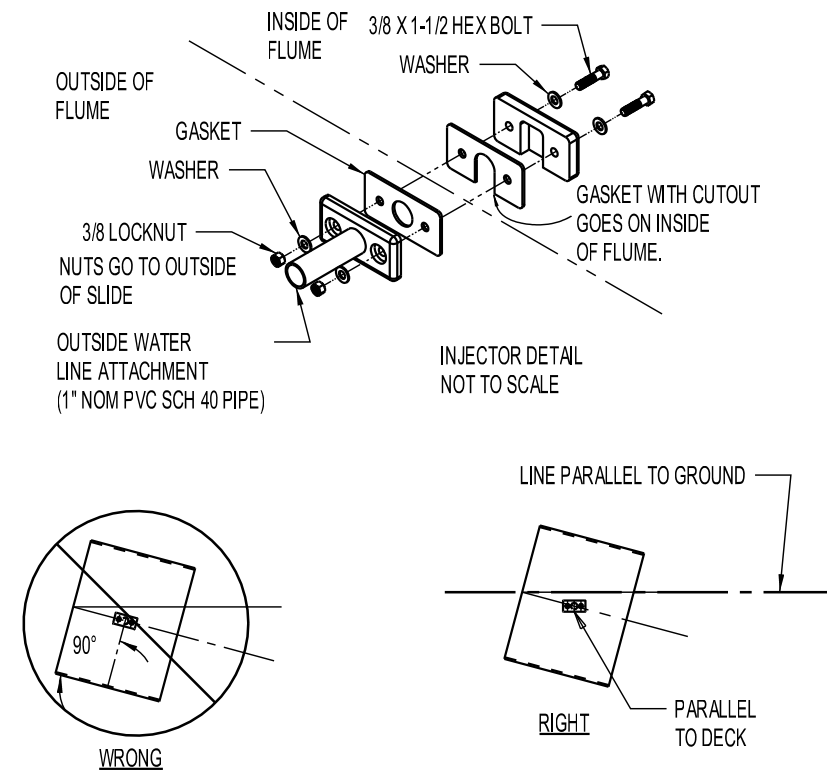


ENTRANCE PANEL DETAIL

3
SCALE: 1:1



INJECTOR DETAIL



DRAWN BY: TB
REVIEWED BY: ANSI SHEET SIZE B
DATE: 04/08/2013

PAGE SCALE: 1/4" = 1"