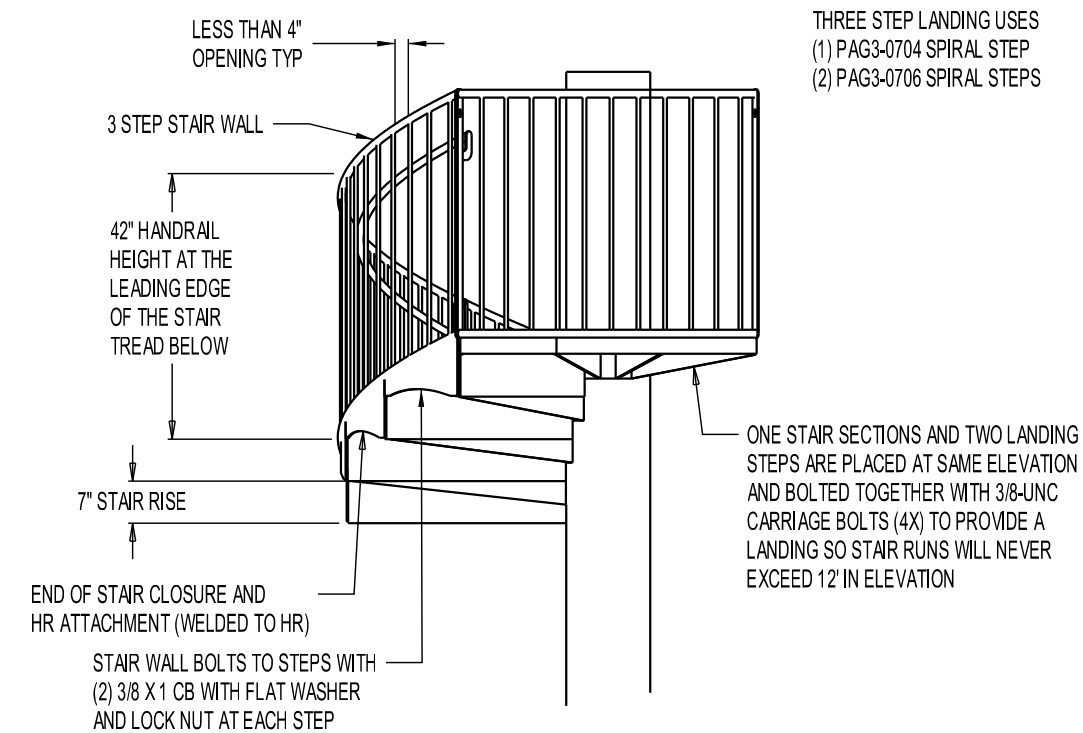
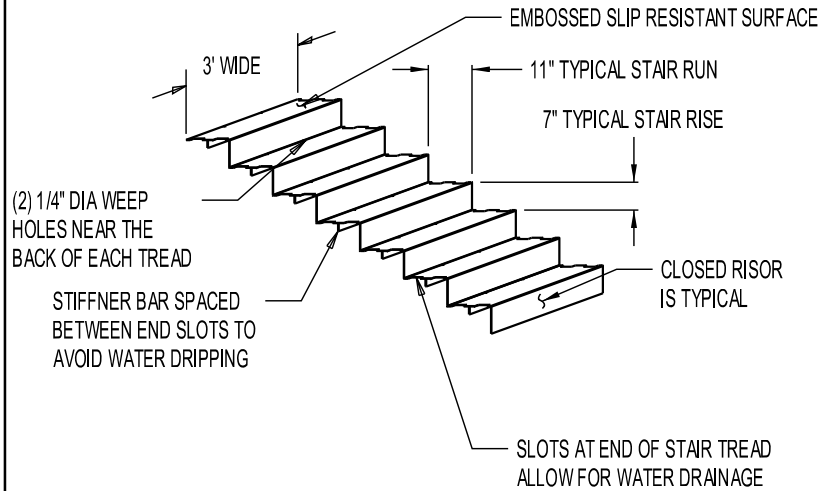
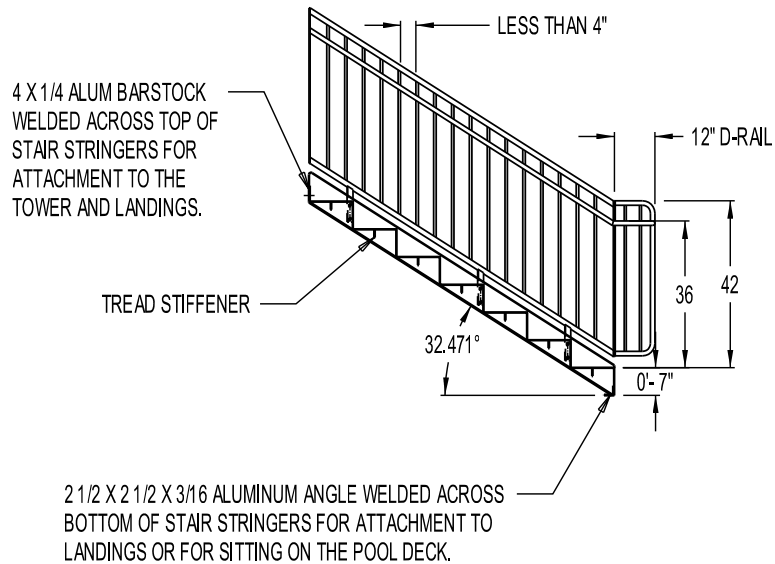


INNER HANDRAIL IS ONLY ON RIGHTHAND SIDE AS YOU ARE ASCENDING STAIRS

D-RAIL MOUNTS TO BOTTOM OF STAIR HANDRAIL WITH THREE 3/8 X 1 CARRIAGE BOLTS WITH FLAT WASHER, AND LOCK NUT



|              |           |                         |           |                                 |           |
|--------------|-----------|-------------------------|-----------|---------------------------------|-----------|
| STAIR DETAIL | 1         | ISOMETRIC VIEW OF STEPS | 2         | LANDING AND SPIRAL STAIR DETAIL | 3         |
|              | SCALE NTS |                         | SCALE NTS |                                 | SCALE 1:1 |

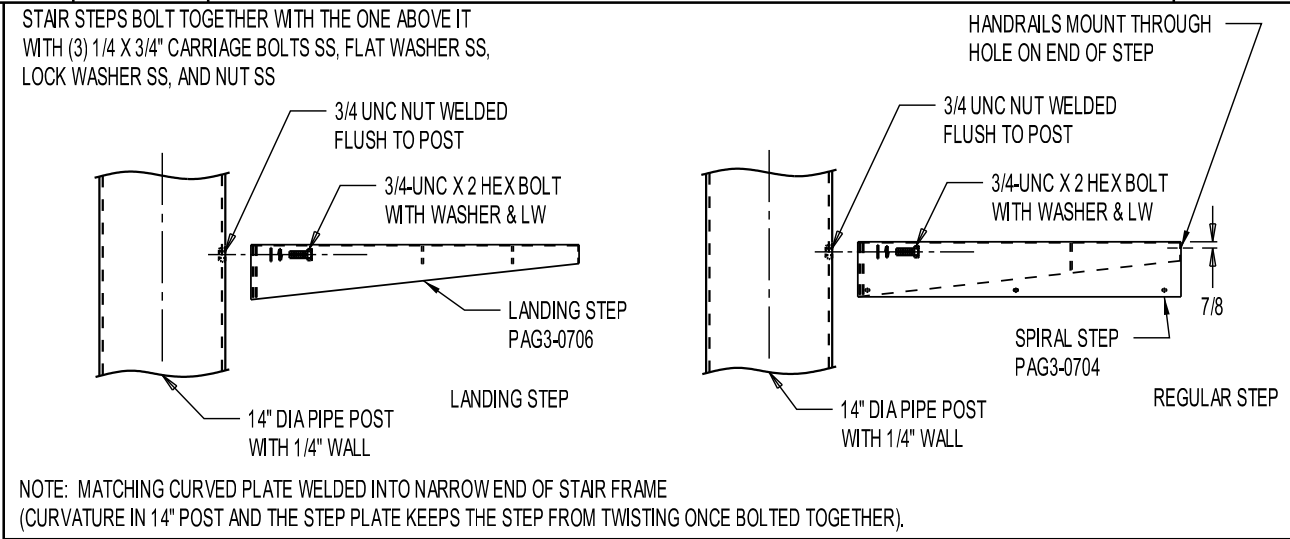
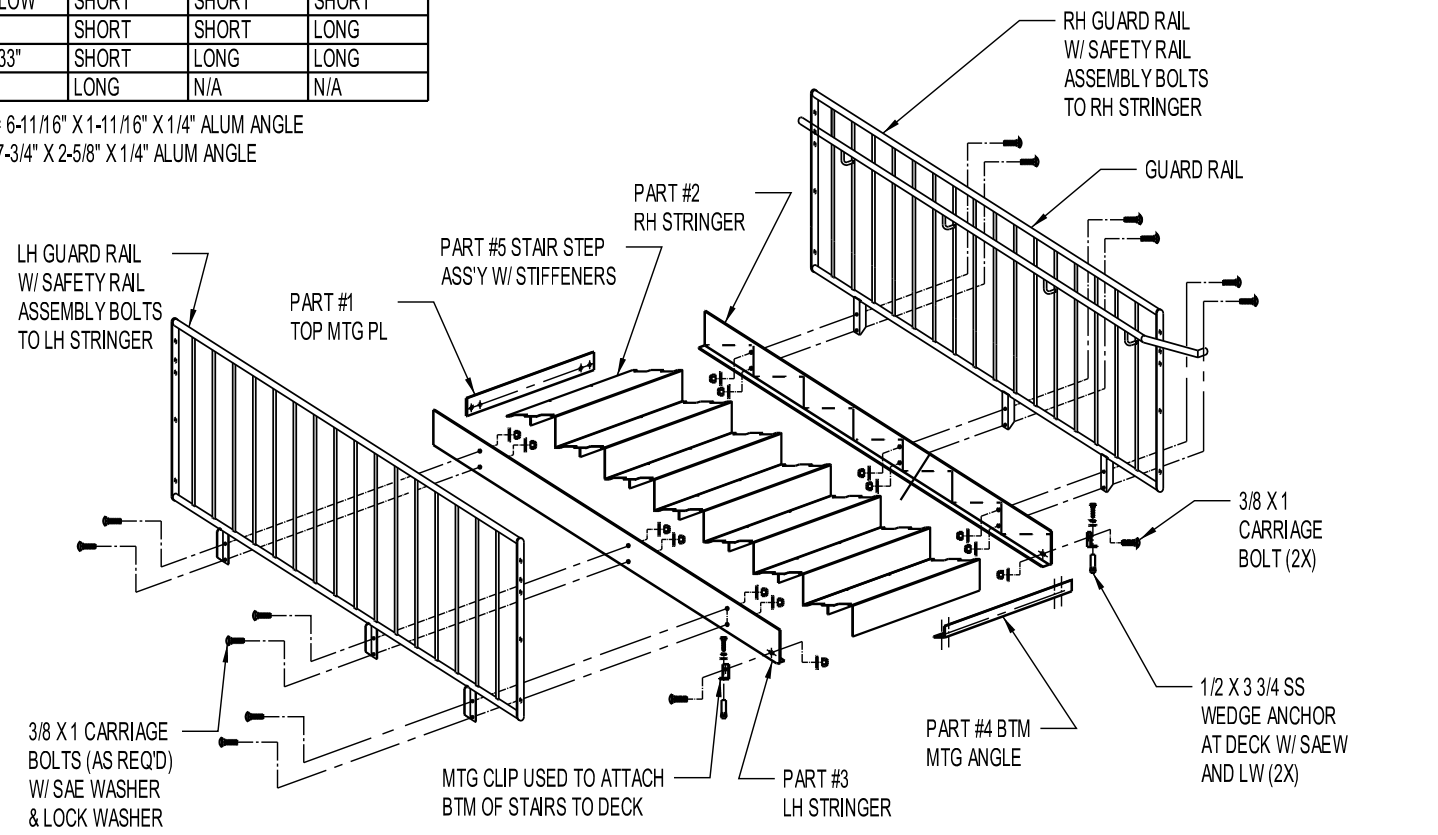
STRINGER SIZE

|              | 3' WIDE | 4' WIDE | 5' WIDE |
|--------------|---------|---------|---------|
| 105" & BELOW | SHORT   | SHORT   | SHORT   |
| 112"         | SHORT   | SHORT   | LONG    |
| 119" TO 133" | SHORT   | LONG    | LONG    |
| 140"         | LONG    | N/A     | N/A     |

SHORT = 6-11/16" X 1-11/16" X 1/4" ALUM ANGLE  
LONG = 7-3/4" X 2-5/8" X 1/4" ALUM ANGLE

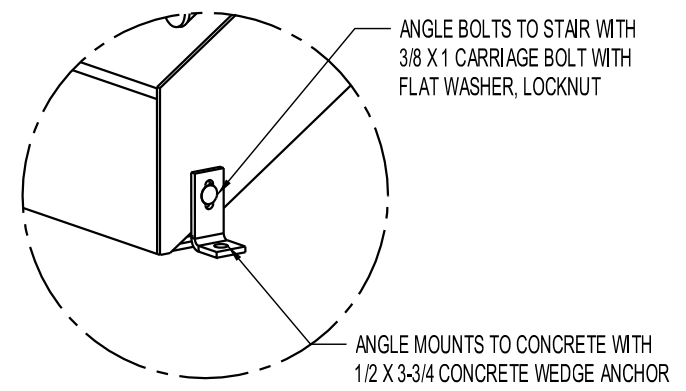
NOTE: PART #1 THRU #5 ARE WELDED TOGETHER TO PRODUCE A SINGLE PIECE STAIR UNIT

INNER HANDRAIL IS ONLY ON RIGHTHAND SIDE AS YOU ARE ASCENDING STAIRS



NOTE: MATCHING CURVED PLATE WELDED INTO NARROW END OF STAIR FRAME (CURVATURE IN 14" POST AND THE STEP PLATE KEEPS THE STEP FROM TWISTING ONCE BOLTED TOGETHER).

|                                 |           |                                       |             |
|---------------------------------|-----------|---------------------------------------|-------------|
| STAIR CASE AND HANDRAIL DETAILS | 4         | BOTTOM STAIR TO CONCRETE MOUNT DETAIL | 6           |
|                                 | SCALE 1:1 |                                       | SCALE 1.5:1 |



**Natural Structures**

PO Box 270  
Baker City, OR 97814  
Phone: (541) 523-0224  
Fax (541) 523-0231

**7/11 ALUMINUM STAIR AND LANDING INSTALL DETAIL**

|                      |                    |
|----------------------|--------------------|
| DRAWN BY: TB         | ANSI SHEET SIZE: B |
| REVIEWED BY:         | DATE: 04/05/2016   |
| REVISION / DATE      |                    |
| PAGE SCALE 3/8" = 1" |                    |
| PAGE:                |                    |

**7**

© 2006 Natural Structures