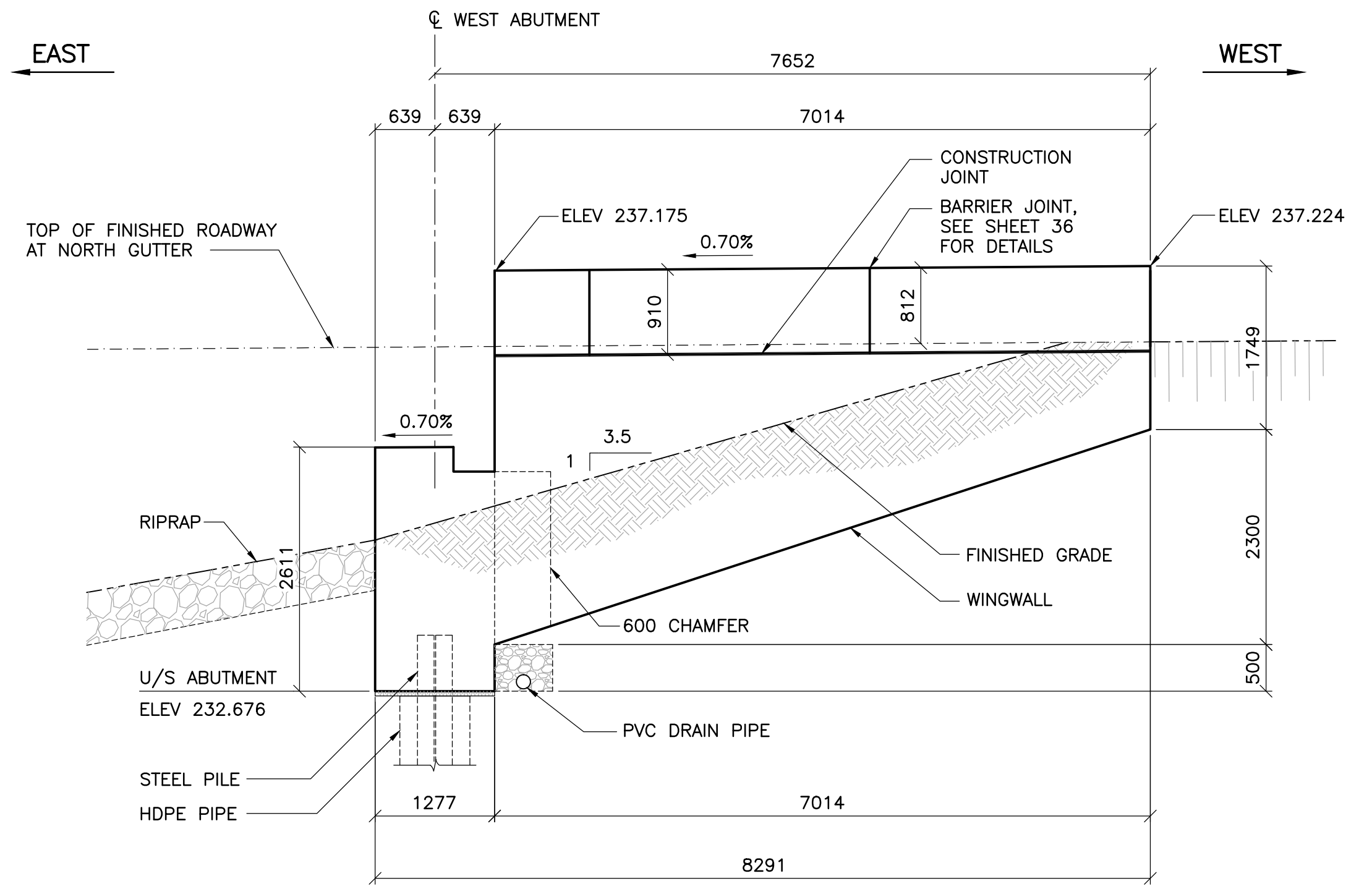
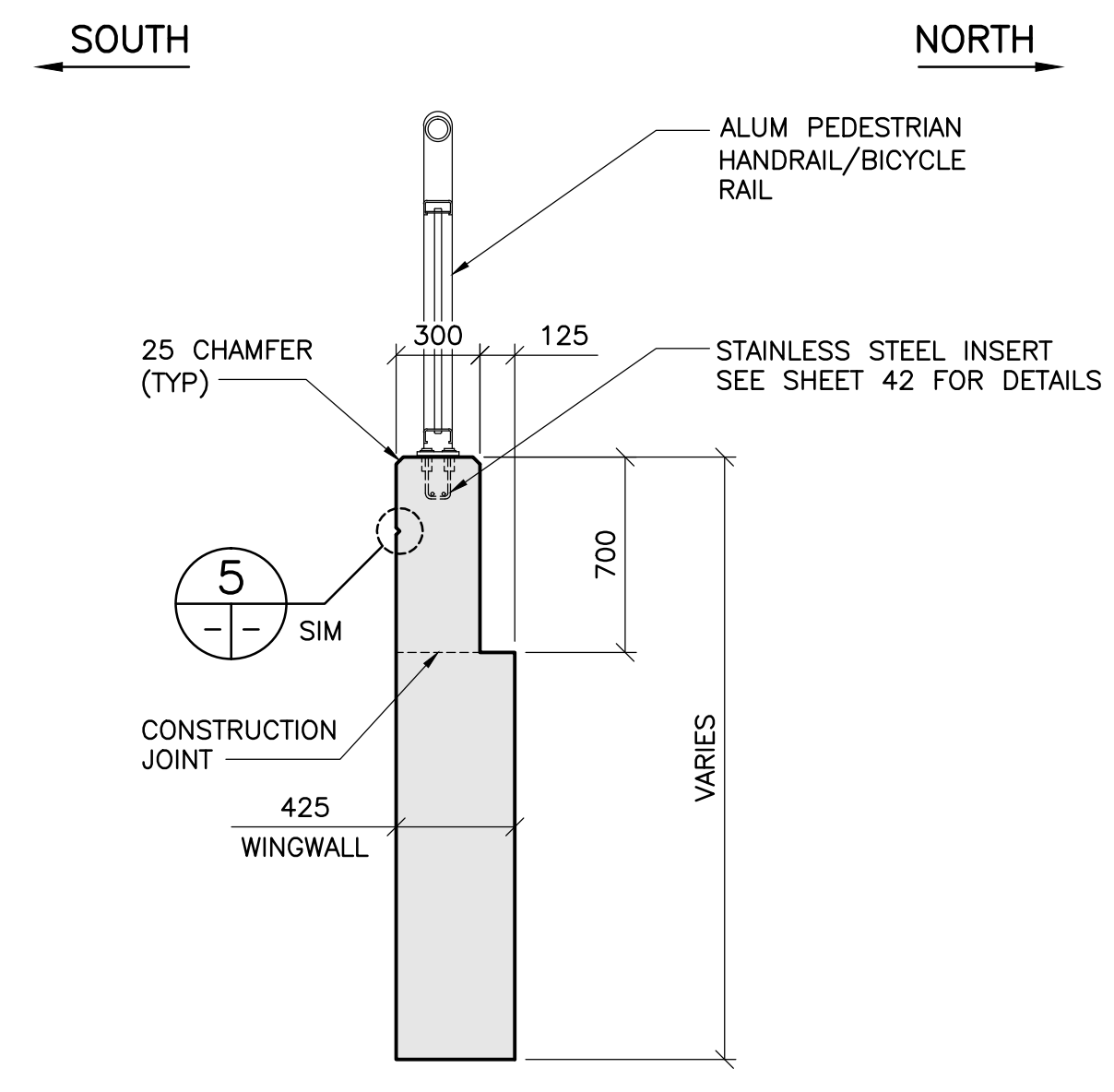


**1** WEST ABUTMENT SOUTH WINGWALL ELEVATION  
15 16 1 : 50

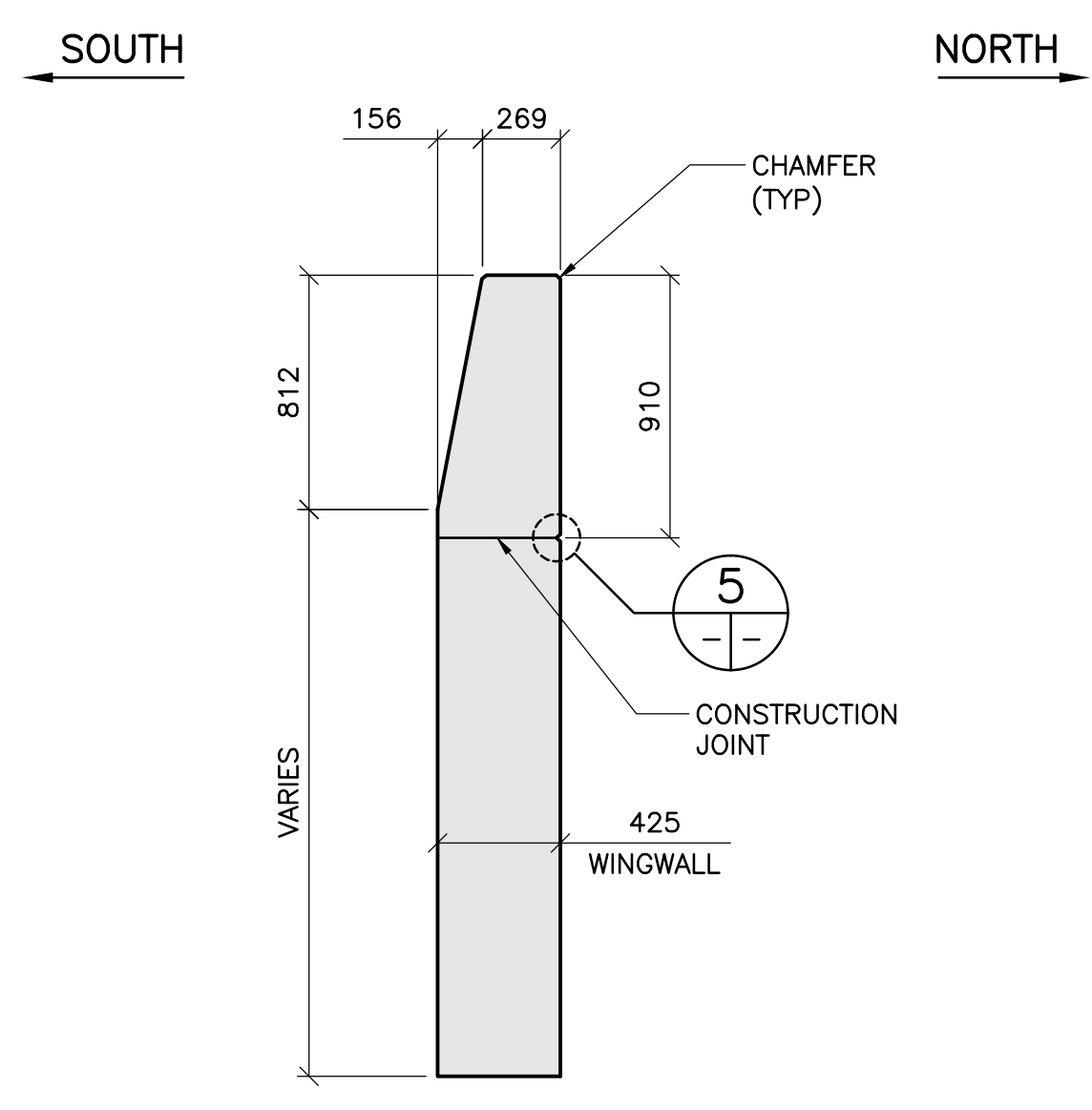


**2** WEST ABUTMENT NORTH WINGWALL ELEVATION  
15 16 1 : 50

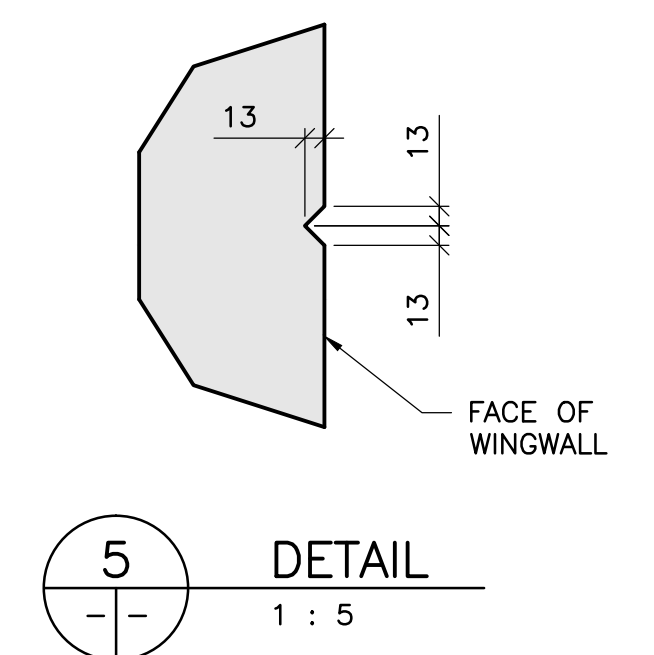
**NOTE:**  
WINGWALLS TO BE FULLY SUPPORTED TO RESTRICT ROTATION OF THE ABUTMENT UNTIL GIRDERS HAVE BEEN PLACED AND BACKFILL AT ABUTMENT COMPACTED TO APPROACH SLAB ELEVATION.



**3** SECTION  
15 16 1 : 25



**4** SECTION  
15 16 1 : 25



**5** DETAIL  
1 : 5



DESIGNED BY: D.M.	CHECKED BY: J.Z.		<b>THE CITY OF WINNIPEG</b> PUBLIC WORKS DEPARTMENT ENGINEERING DIVISION	
DRAWN BY: G.I. / B.M.	APPROVED BY: E.F.S.	SASKATCHEWAN AVE AT STURGEON CREEK BRIDGE CONSTRUCTION		CITY DRAWING NUMBER B248-17-016
HOR. SCALE: AS NOTED VERTICAL: AS NOTED		ACCEPTED BY: DATE 17.10.04 ORIGINAL DRAWING SIGNED BY: D. MUHURDAREVIC, P.ENG.		SHEET 16 OF 69
0 ISSUED FOR TENDER 17.10.04 D.M.		CONSULTANT DRAWING NO. 1600070700-DWG-S0016		WEST ABUTMENT CONCRETE DETAILS SHEET 2 OF 2
NO. REVISIONS DATE BY		DATE 17.10.04		16