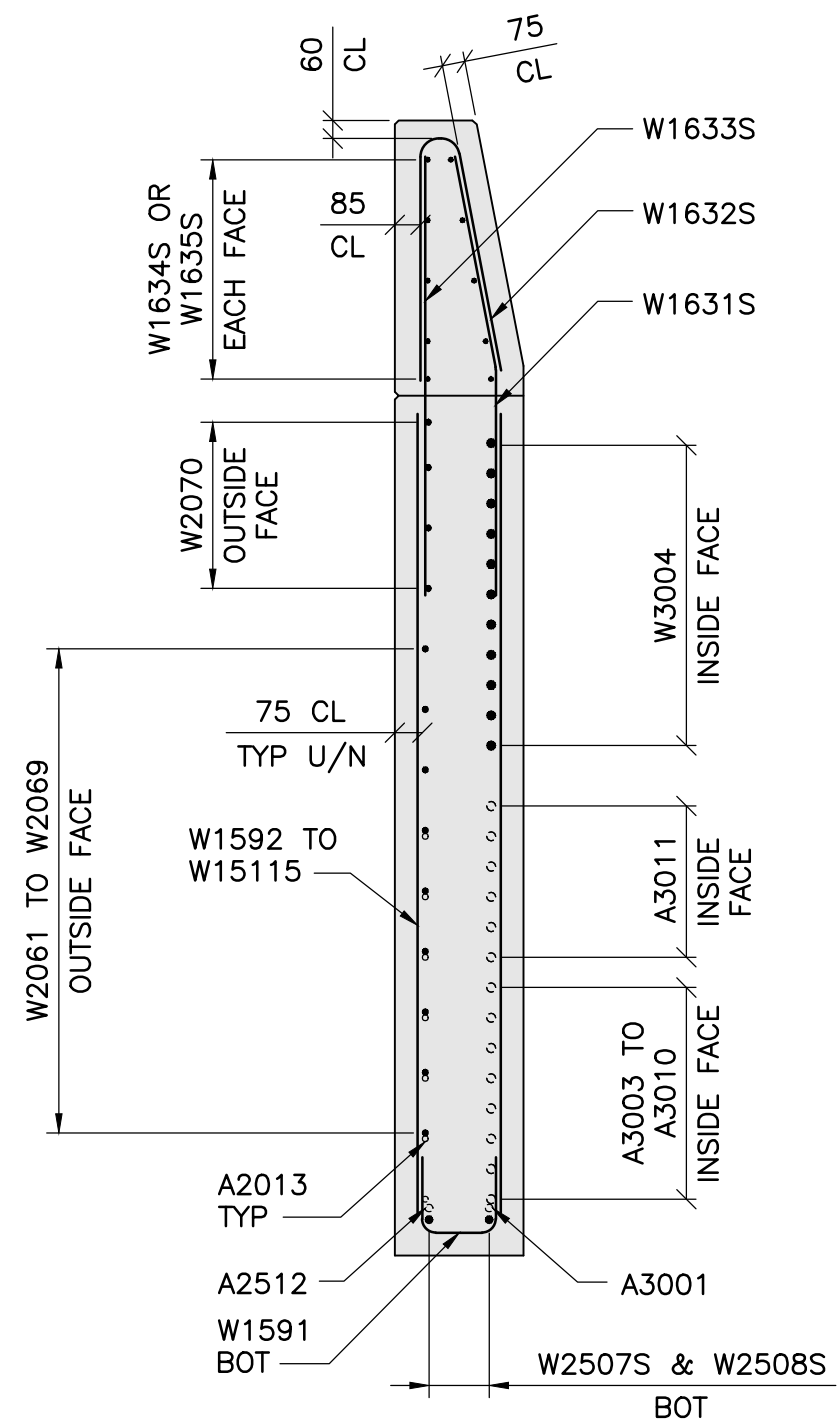
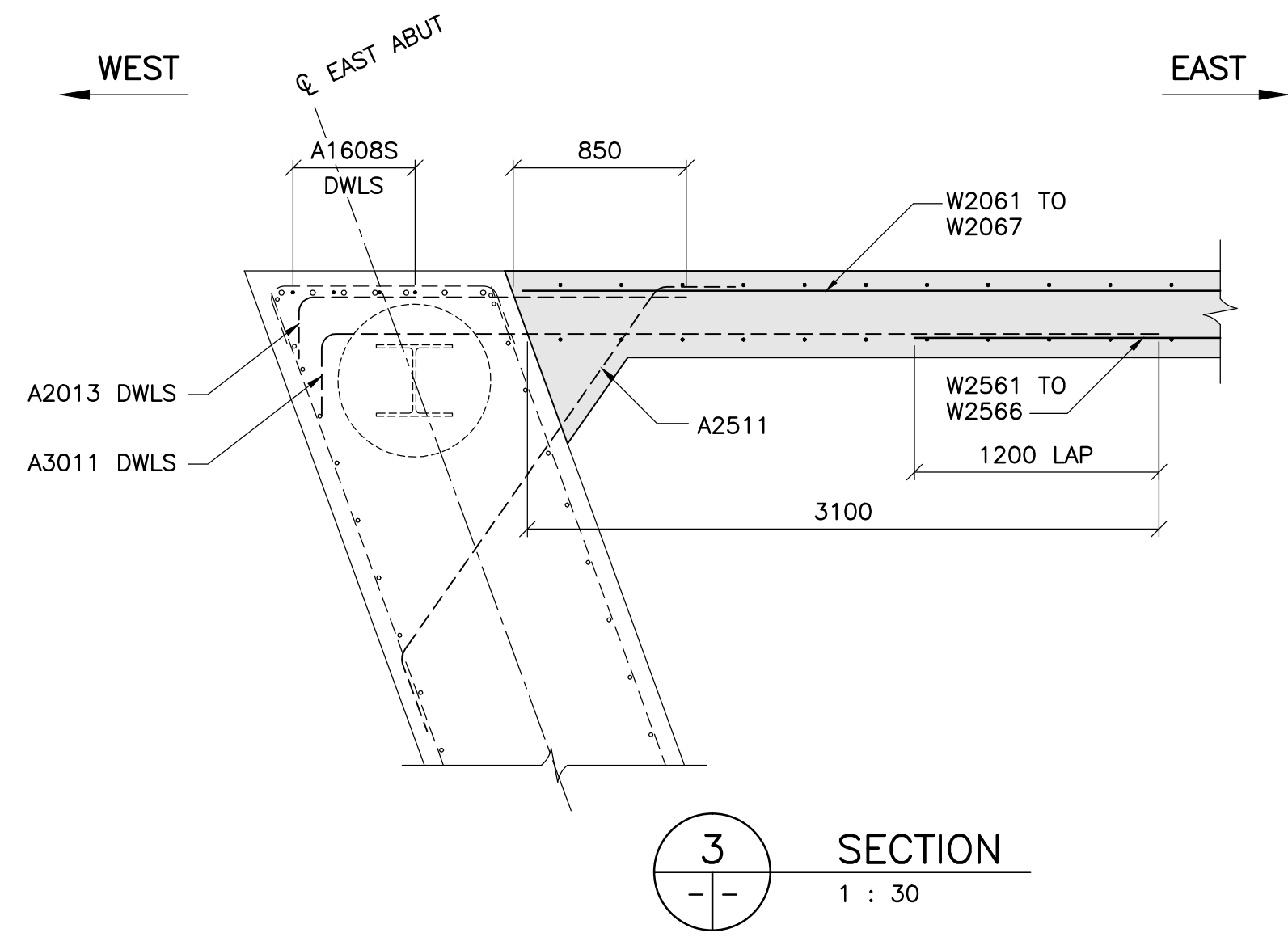


1 EAST ABUTMENT NORTH WINGWALL
1 : 30
- SHOWING OUTSIDE FACE HORIZONTAL REINFORCING, FOR INSIDE HORIZONTAL REINFORCING SEE ELEVATION 2

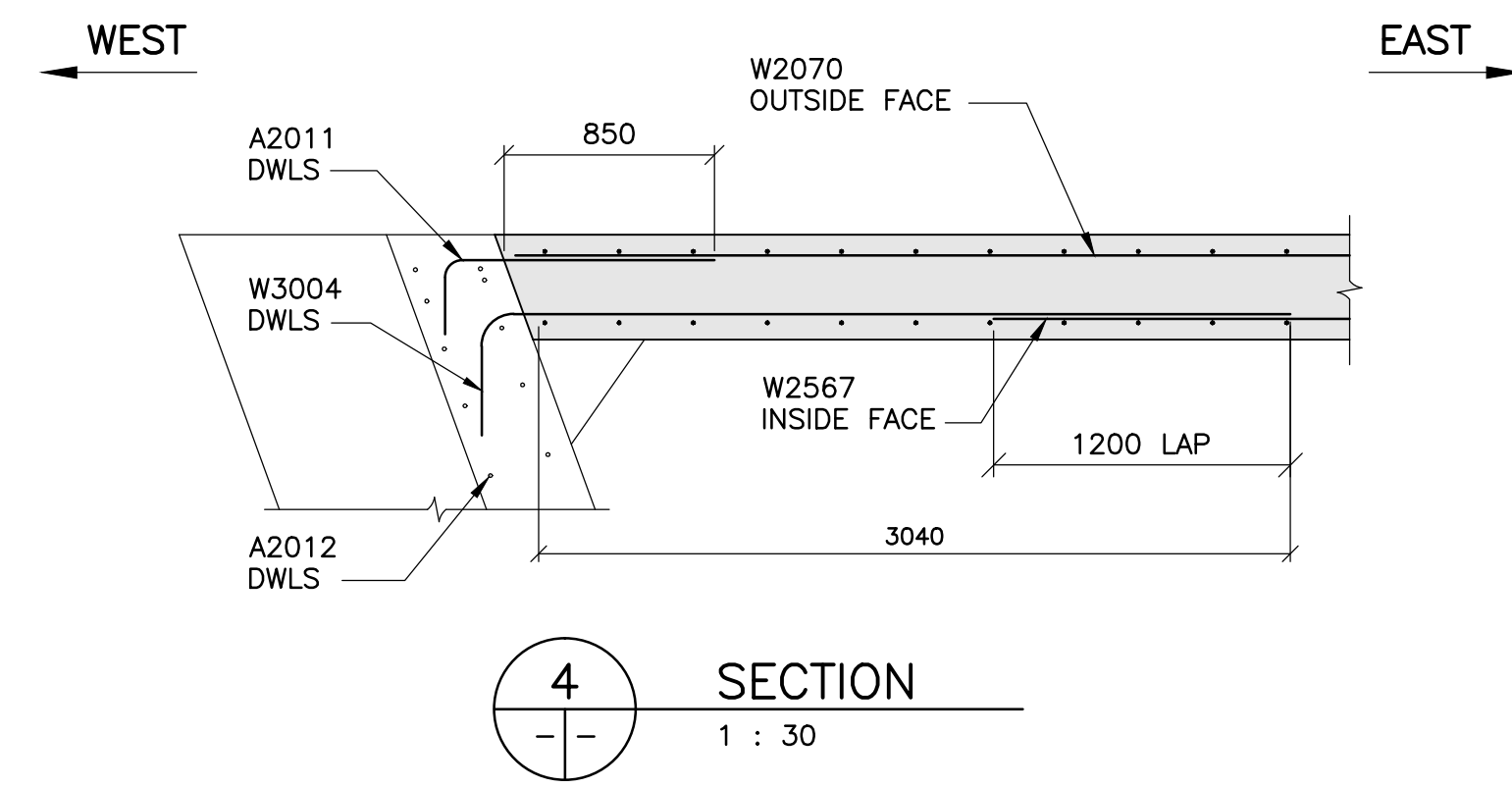
2 EAST ABUTMENT NORTH WINGWALL
1 : 30
- SHOWING INSIDE FACE HORIZONTAL REINFORCING, FOR OUTSIDE FACE HORIZONTAL REINFORCING SEE ELEVATION 2
- SHOWING W1631S VERTICAL REINFORCING, FOR ALL OTHER VERTICAL REINFORCING SEE ELEVATION 1



5 SECTION
1 : 25



3 SECTION
1 : 30



4 SECTION
1 : 30

ENGINEERS
Geoscientists
MANITOBA
Tetra Tech Canada Inc.
No. 6499

B.M. ELEV.			
DESIGNED BY	D.M.	CHECKED BY	J.Z.
DRAWN BY	B.M. / M.V.	APPROVED BY	E.F.S.
HOR. SCALE:	AS NOTED	ACCEPTED BY	DATE
VERTICAL:		ORIGINAL DRAWING SIGNED BY: D. MUHURDAREVIC, P.ENG.	17.10.04
0 ISSUED FOR TENDER	17.10.04	D.M.	
NO. REVISIONS	DATE	BY	DATE
			17.10.04



THE CITY OF WINNIPEG
PUBLIC WORKS DEPARTMENT
ENGINEERING DIVISION

SASKATCHEWAN AVE AT STURGEON CREEK
BRIDGE CONSTRUCTION

EAST ABUTMENT - NORTH WINGWALL
REINFORCING DETAILS SHEET 5 OF 5

CITY DRAWING NUMBER
B248-17-023
SHEET 23 OF 69

CONSULTANT DRAWING NO.
1600070700-DWG-S0023

23