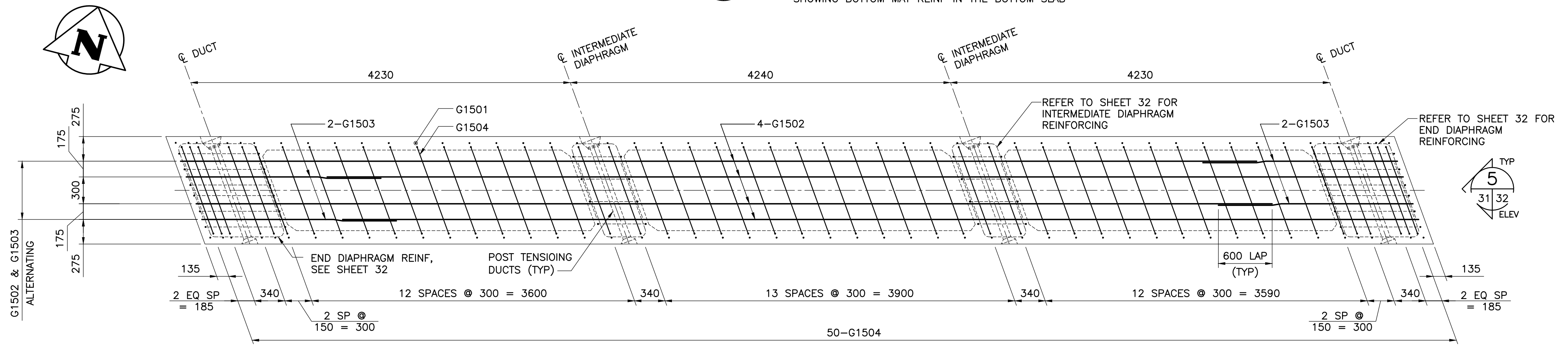
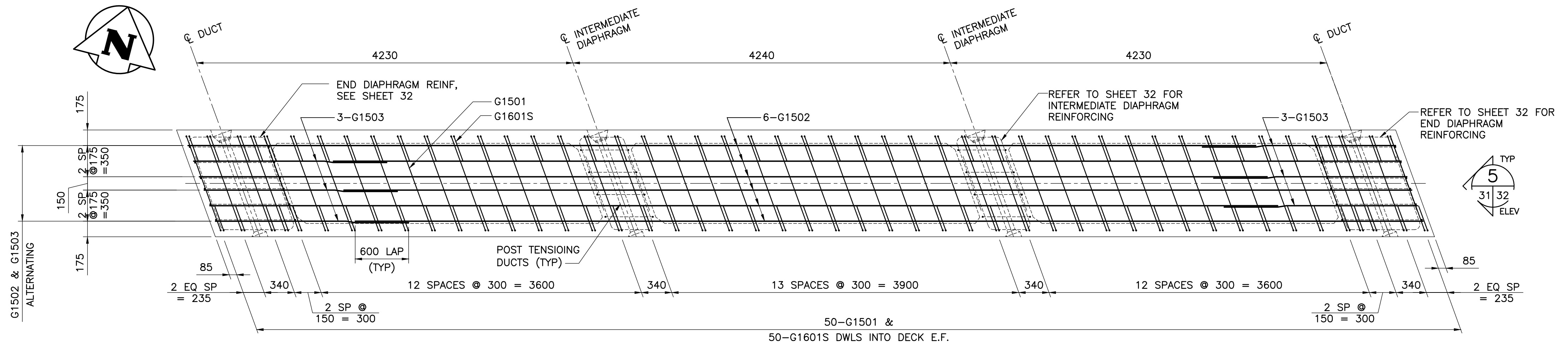


1
PLAN/SECTION
1 : 30
- SHOWING BOTTOM MAT REINF IN THE BOTTOM SLAB



2
PLAN/SECTION
1 : 30
- SHOWING BOTTOM MAT REINF IN THE TOP SLAB



3
PLAN/SECTION
1 : 30
- SHOWING TOP MAT REINF IN THE TOP SLAB

NOTE:
REINFORCING QUANTITIES SHOWN FOR ONE GIRDER ONLY.



B.M. ELEV.			
DESIGNED BY	D.M.	CHECKED BY	J.Z.
DRAWN BY	M.V. / B.M.	APPROVED BY	E.F.S.
HOR. SCALE:	AS NOTED	ACCEPTED BY	DATE
VERTICAL:		SIGNED BY:	D. MUHURDAREVIC, P.ENG.
0 ISSUED FOR TENDER	17.10.04	D.M.	
NO. REVISIONS	DATE	BY	DATE
			17.10.04

TETRA TECH

DESIGNED BY: D.M. CHECKED BY: J.Z.
 DRAWN BY: M.V. / B.M. APPROVED BY: E.F.S.
 HOR. SCALE: AS NOTED
 VERTICAL: AS NOTED
 DATE: 17.10.04

PROVINCE OF MANITOBA
D.E.S. MITCHELL
 ORIGINAL SIGNED 17.10.04
 REGISTERED PROFESSIONAL ENGINEER 33352

THE CITY OF WINNIPEG
 PUBLIC WORKS DEPARTMENT
 ENGINEERING DIVISION

SASKATCHEWAN AVE AT STURGEON CREEK BRIDGE CONSTRUCTION

CITY DRAWING NUMBER: B248-17-031
 SHEET 31 OF 69

PRECAST PRESTRESSED BOX GIRDER REINFORCING DETAILS 1 OF 2

CONSULTANT DRAWING NO. 1600070700-DWG-S0031

31