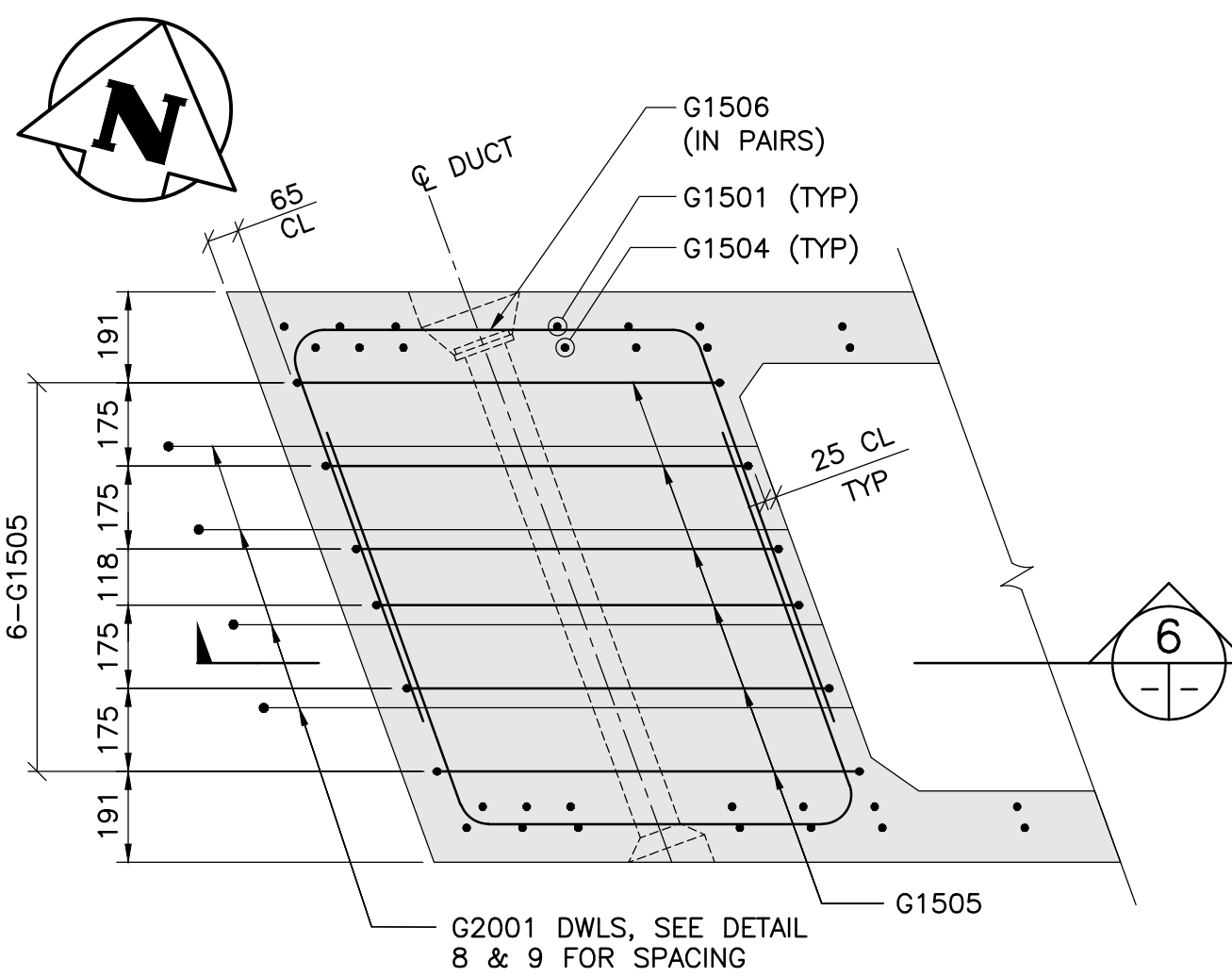
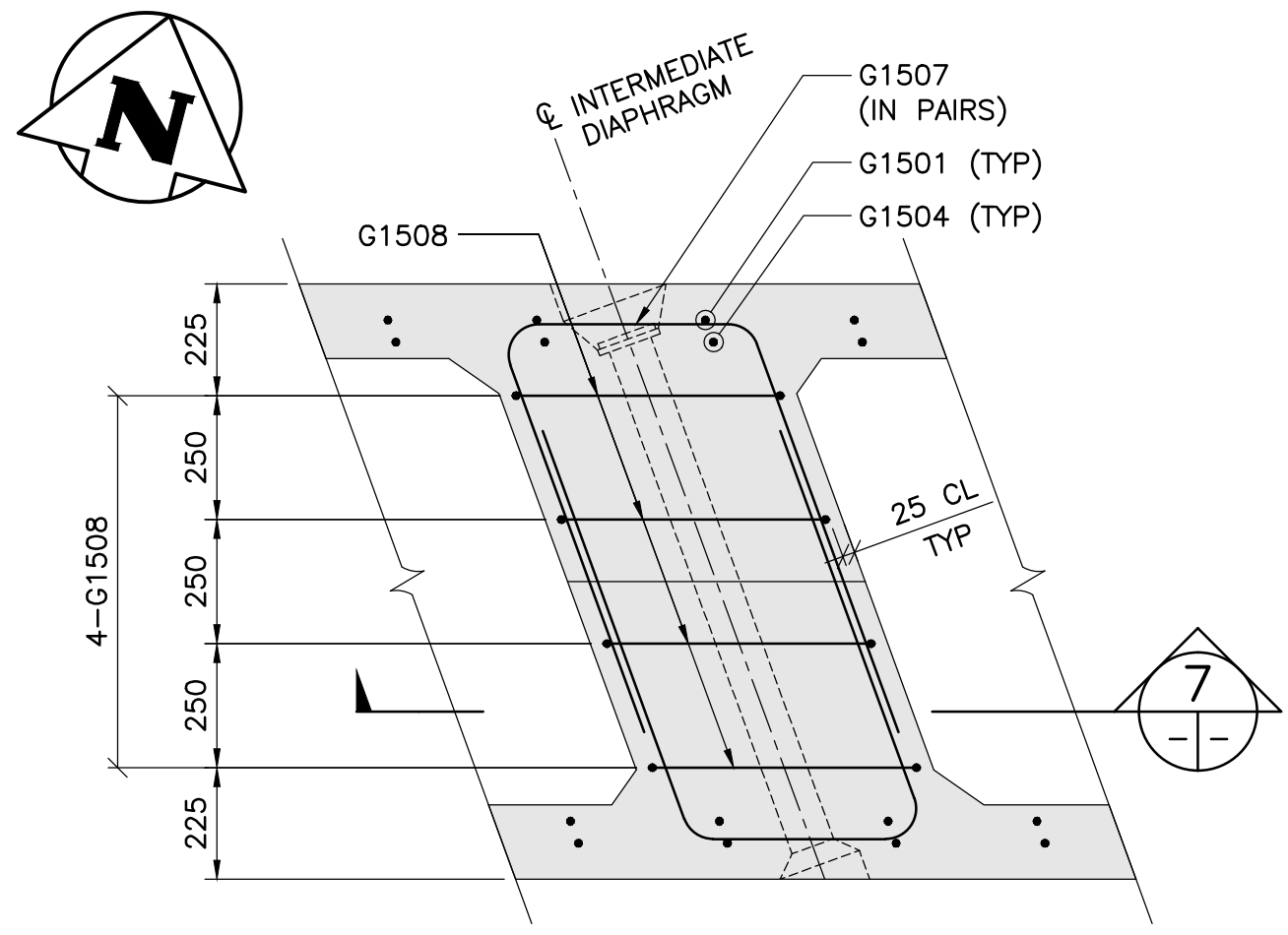


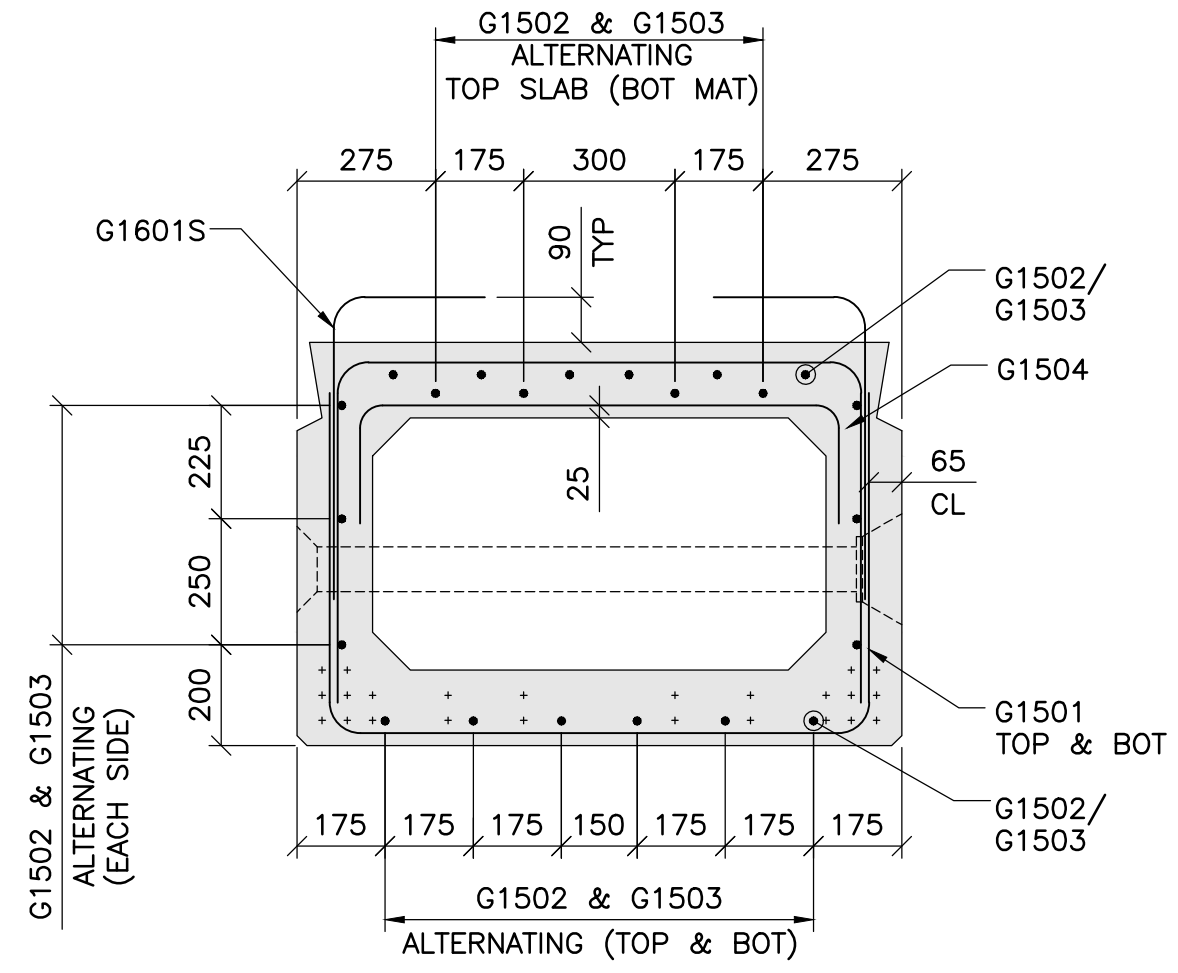
1 GIRDER ELEVATION
1 : 30



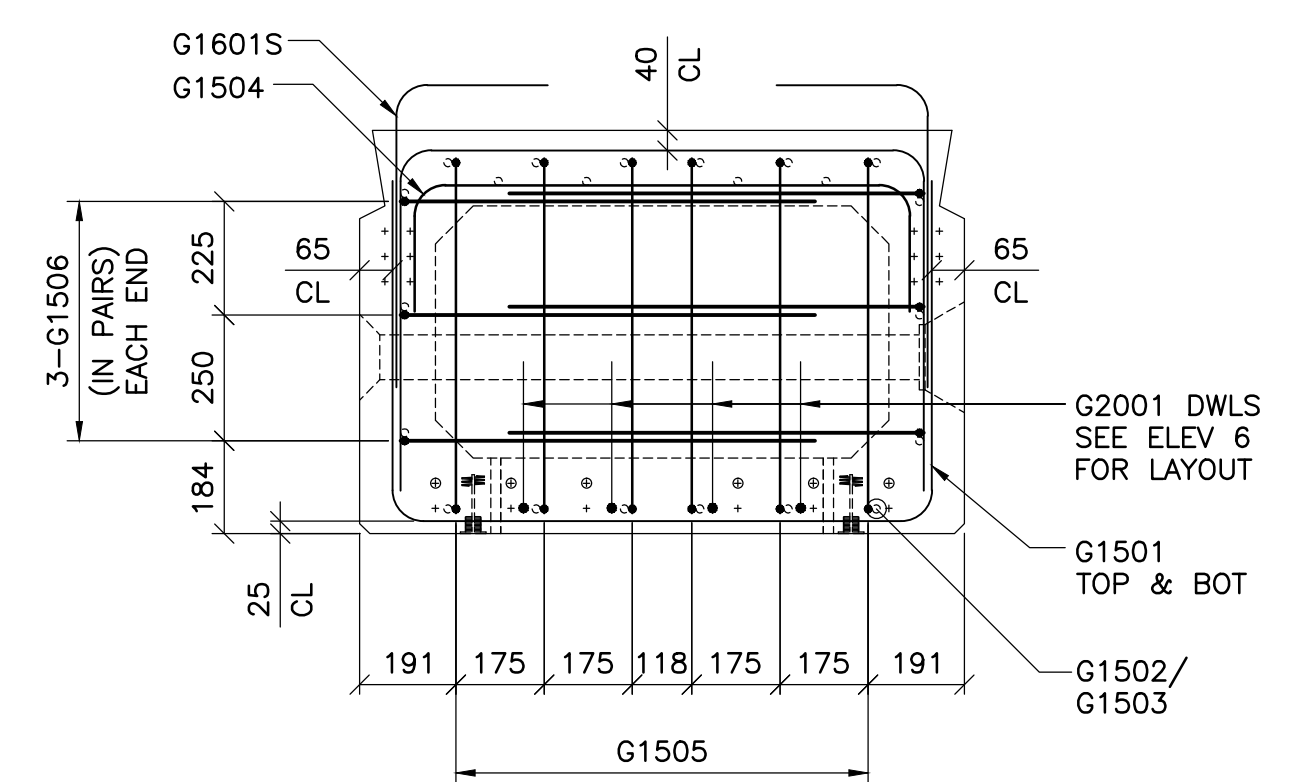
2 END DIAPHRAGM - PLAN
1 : 15
- WEST END DIAPHRAGM AS SHOWN
- EAST END DIAPHRAGM SIMILAR



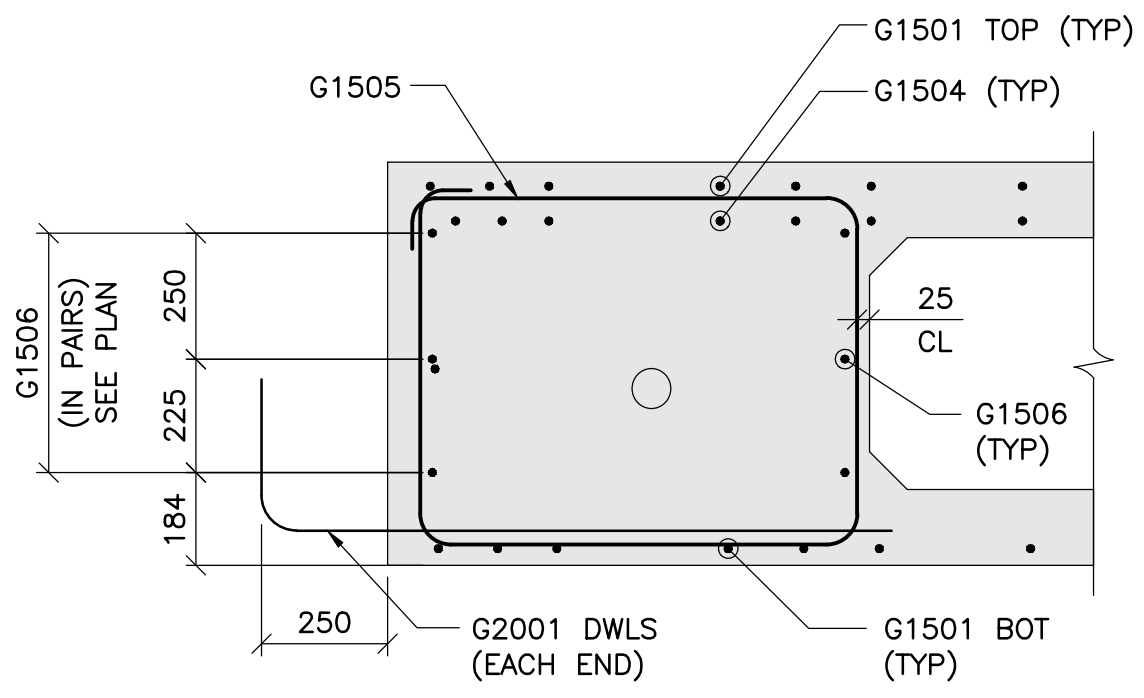
3 INTERMEDIATE DIAPHRAGM - PLAN
1 : 15
- 2 LOCATIONS



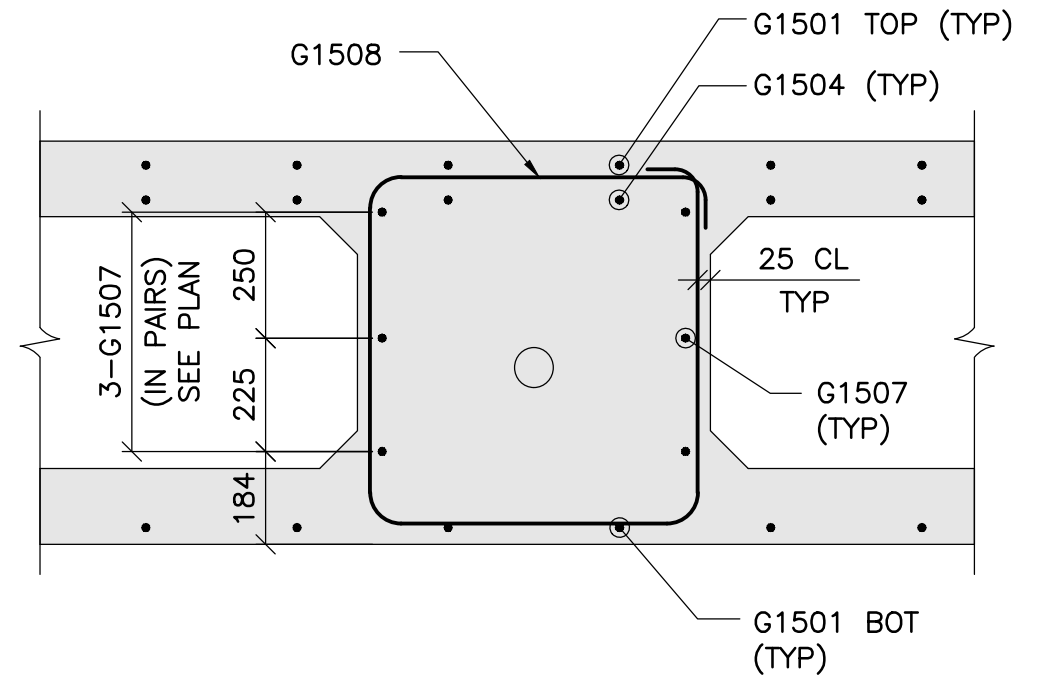
4 SECTION
1 : 15



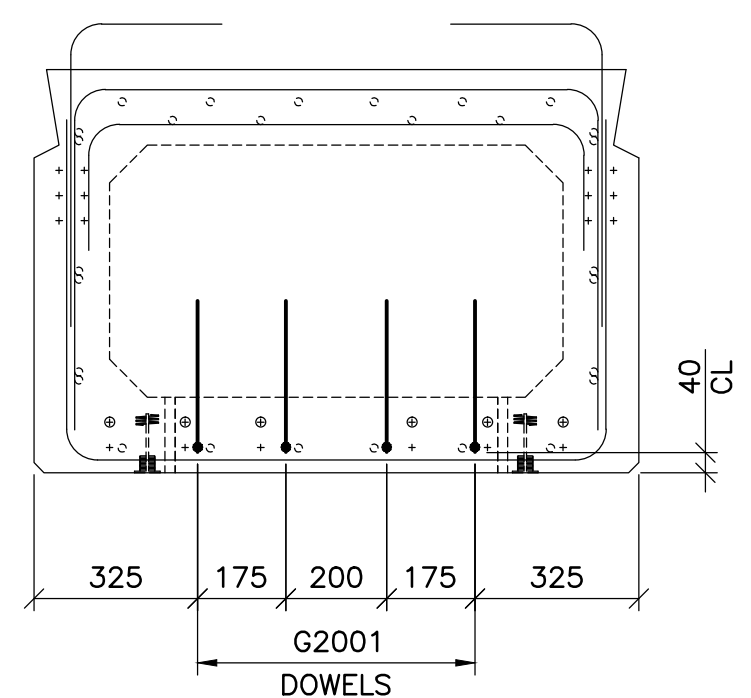
5 END ELEVATION
1 : 15



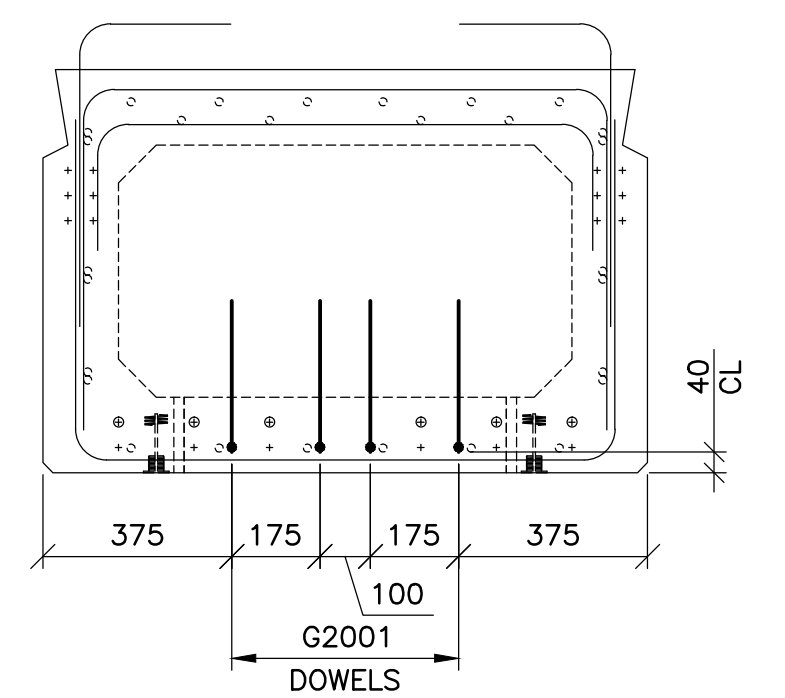
6 SECTION AT END DIAPHRAGM
1 : 15
- WEST END DIAPHRAGM AS SHOWN
- EAST END DIAPHRAGM SIMILAR



7 SECTION AT INTERMEDIATE DIAPHRAGM
1 : 15
- 2 LOCATIONS



8 END ELEVATION G1, G1A, G2, G2A & G2B
1 : 15
- SHOWING G2001 DOWEL SPACING



9 END ELEVATION G3, G3A, G4, G4A & G4B
1 : 15
- SHOWING G2001 DOWEL SPACING



B.M. ELEV.			
0 ISSUED FOR TENDER	17.10.04	D.M.	
NO. REVISIONS	DATE	BY	DATE

TETRA TECH	
DESIGNED BY D.M.	CHECKED BY J.Z.
DRAWN BY M.V. / B.M.	APPROVED BY E.F.S.
HOR. SCALE: AS NOTED	ACCEPTED BY DATE
VERTICAL: AS NOTED	ORIGINAL DRAWING 17.10.04
	SIGNED BY: D. MUHRDAREVC, P.ENG.
	B. MUHRDAREVC, P.ENG. BRIDGE PROJECTS ENGINEER



THE CITY OF WINNIPEG
PUBLIC WORKS DEPARTMENT
ENGINEERING DIVISION

SASKATCHEWAN AVE AT STURGEON CREEK BRIDGE CONSTRUCTION

CITY DRAWING NUMBER B248-17-032
SHEET 32 OF 69

PRECAST PRESTRESSED BOX GIRDER REINFORCING DETAILS 2 OF 2

1600070700-DWG-S0032