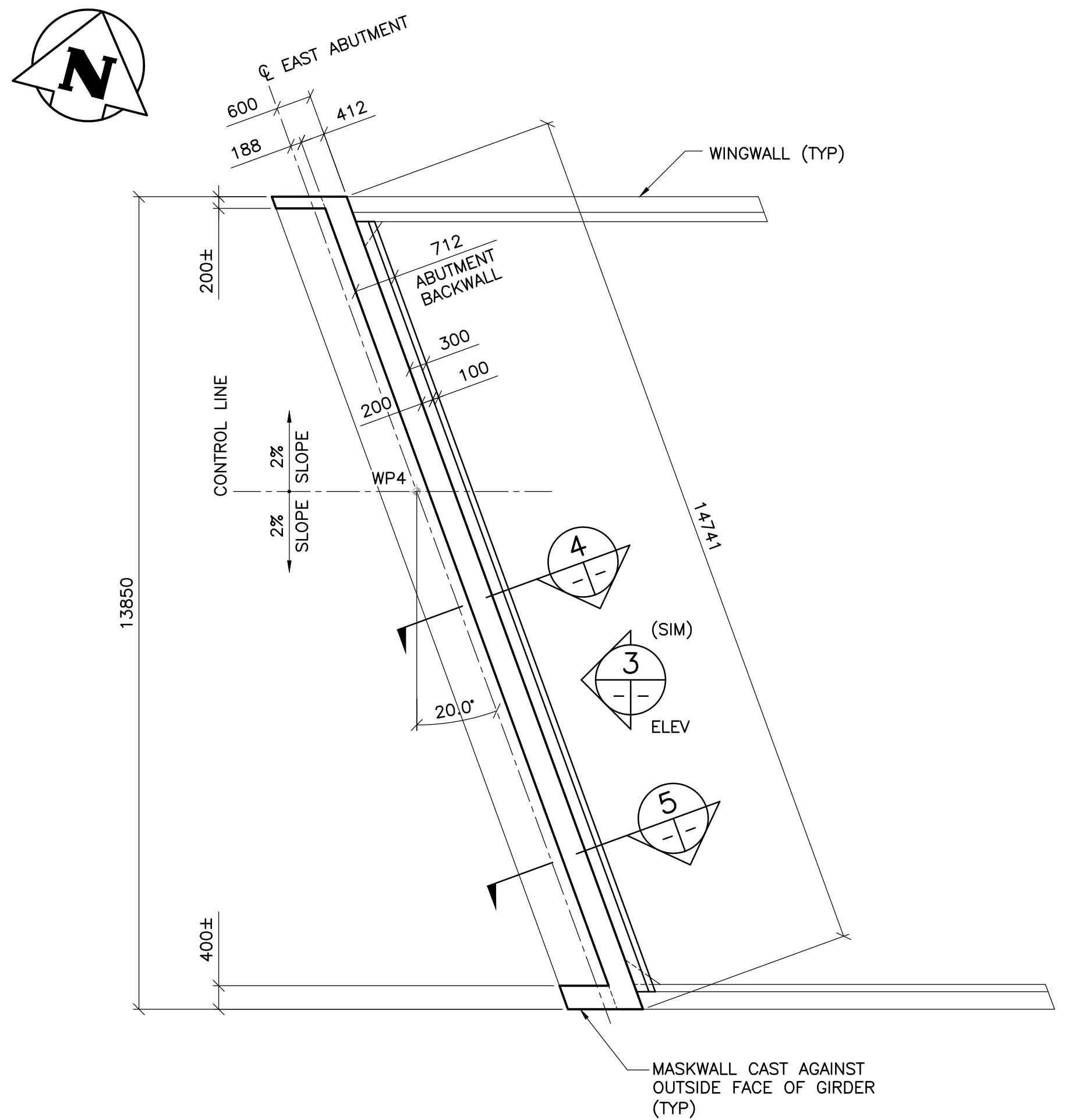
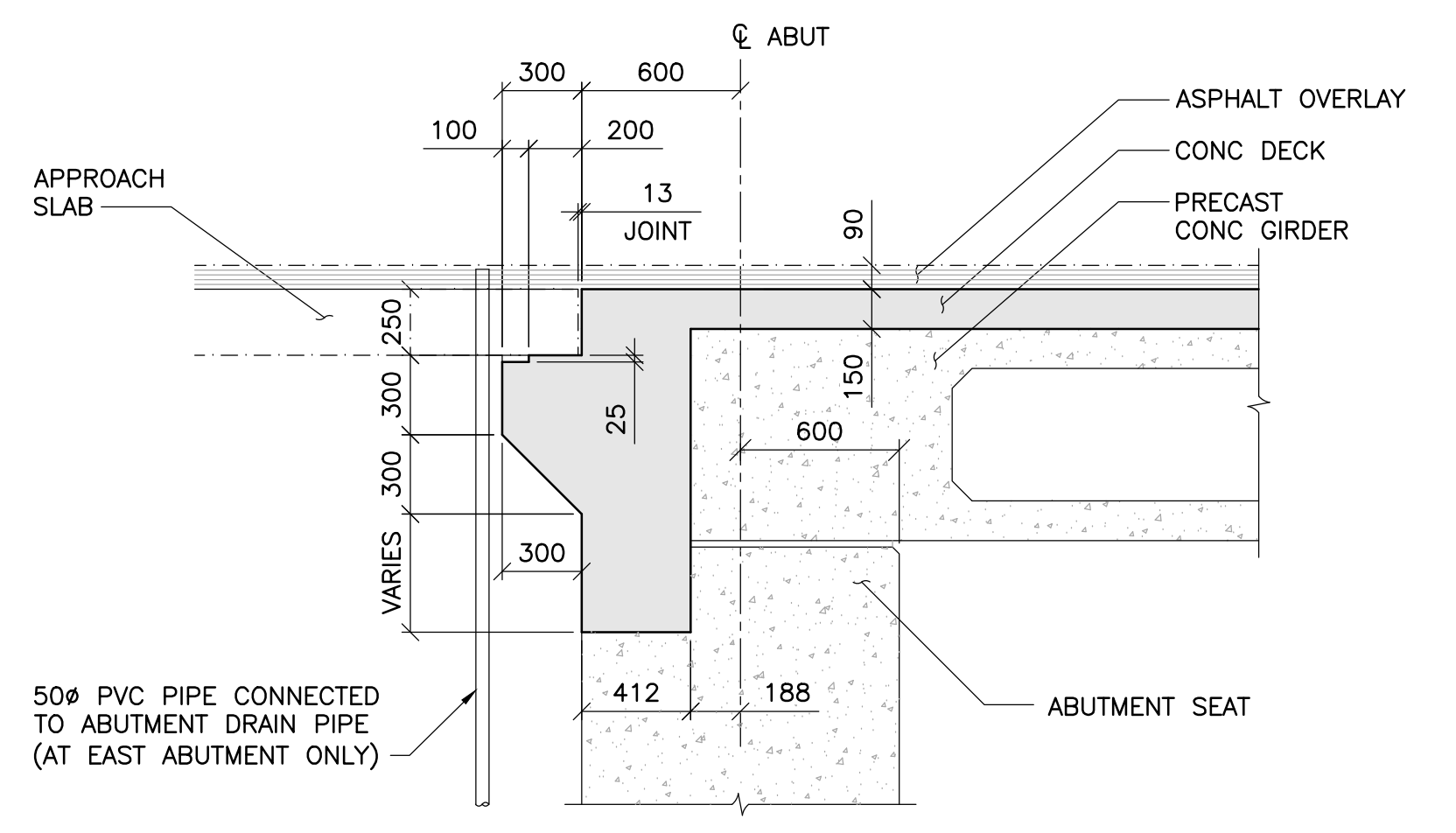


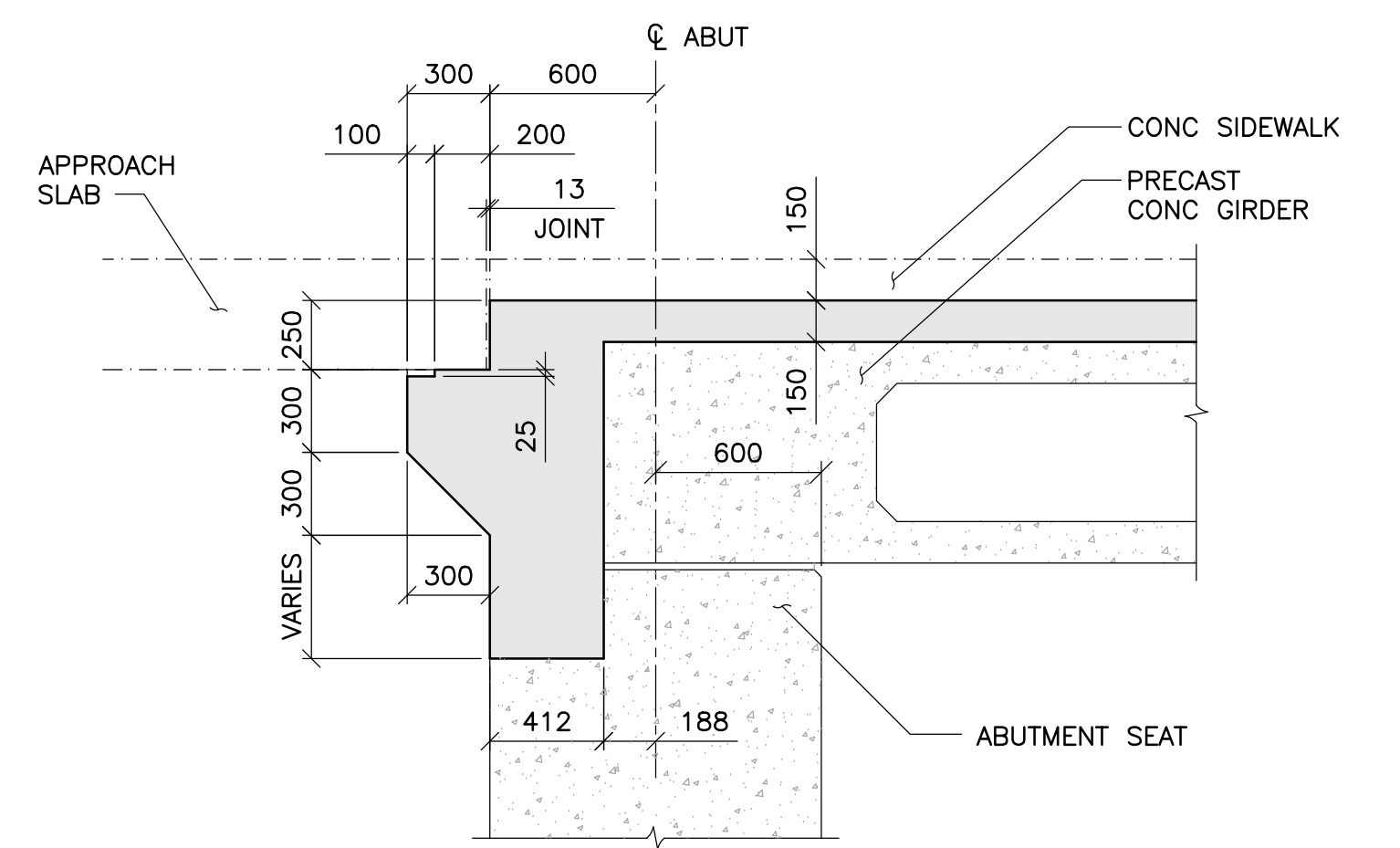
1 WEST ABUTMENT BACKWALL - PLAN
1 : 75



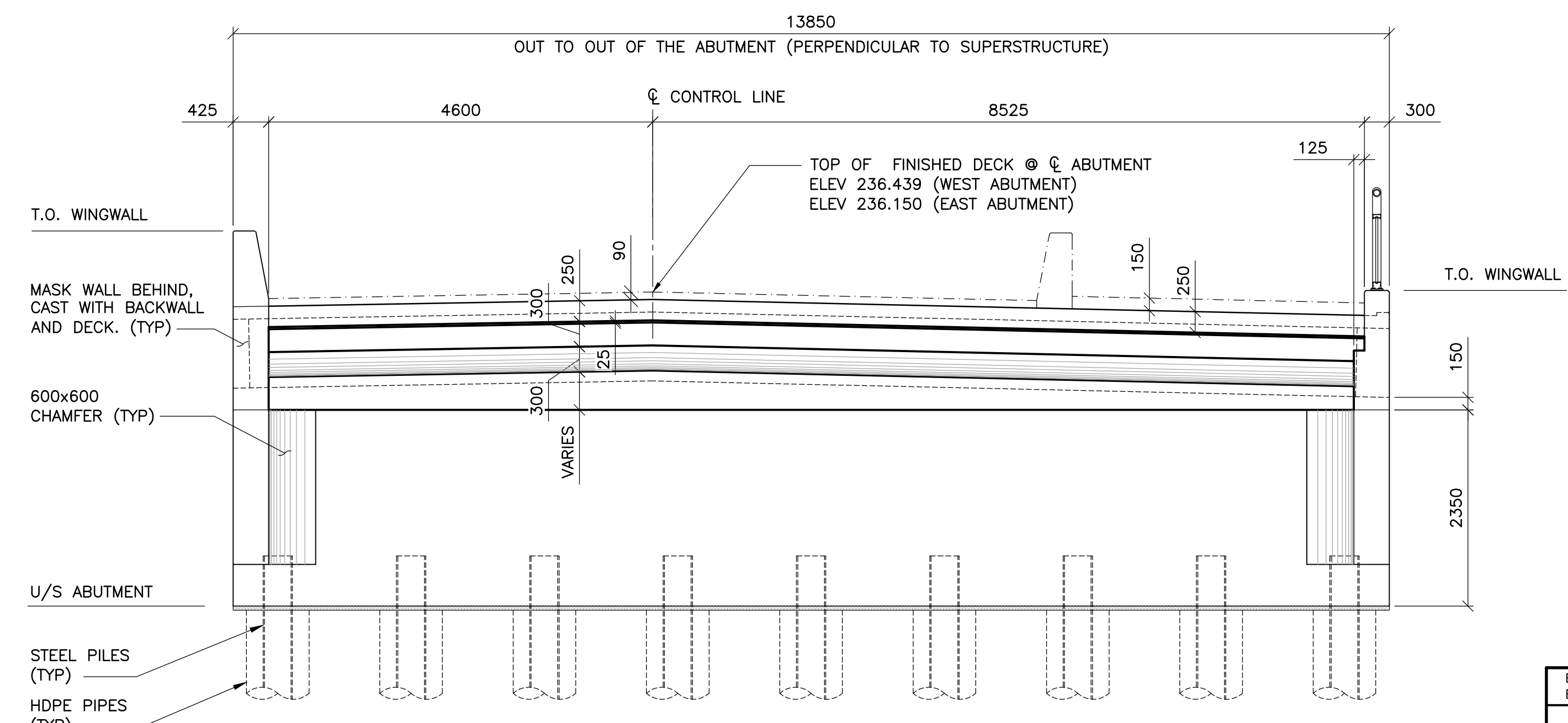
2 EAST ABUTMENT BACKWALL - PLAN
1 : 75



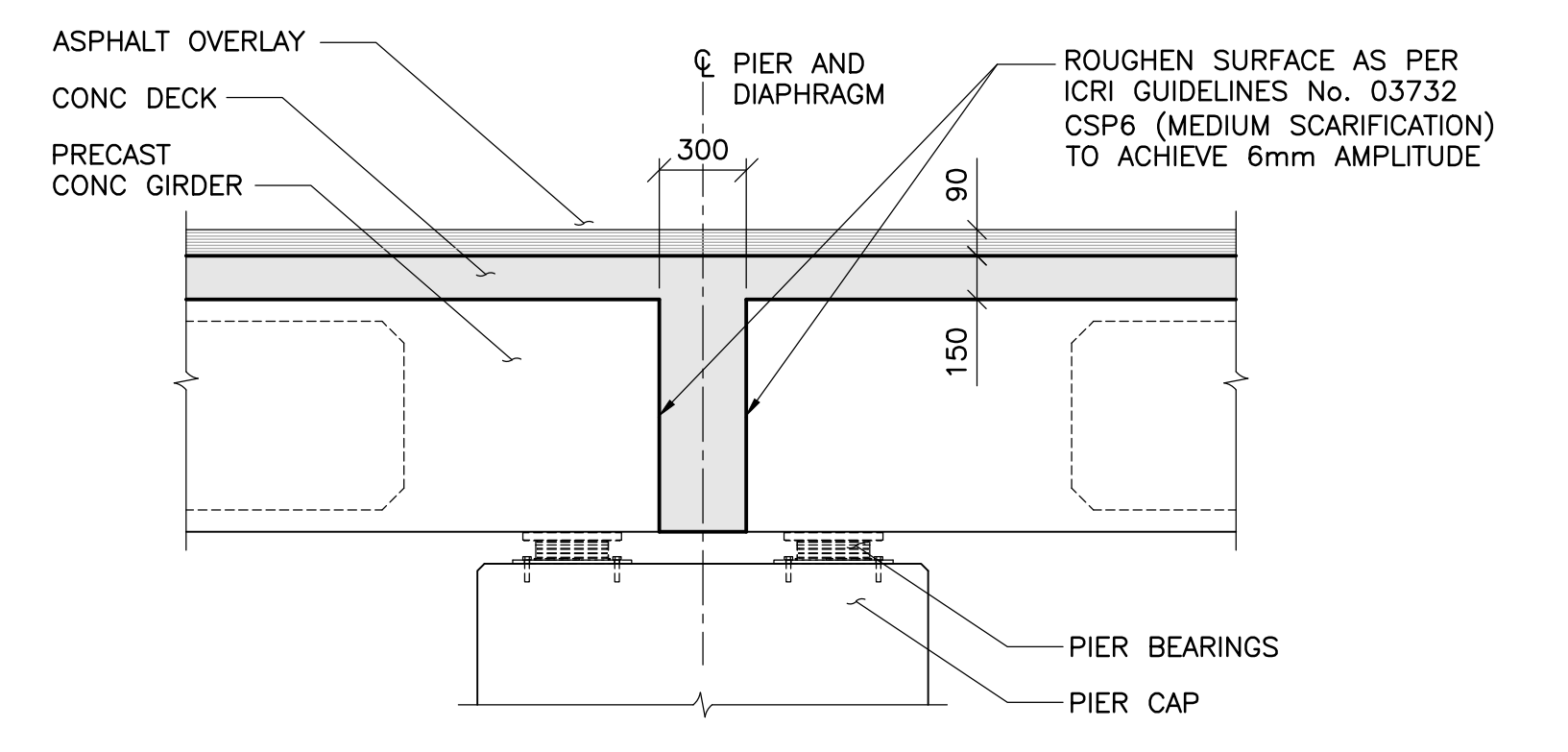
4 ABUTMENT BACKWALL - SECTION
1 : 25



5 ABUTMENT BACKWALL - SECTION AT SIDEWALK
1 : 25



3 ABUTMENT BACKWALL - ELEVATION
1 : 50
- WEST ABUTMENT BACKWALL AS SHOWN
- EAST ABUTMENT BACKWALL SIMILAR
- ALL DIMENSIONS TAKEN PERPENDICULAR TO SUPERSTRUCTURE



6 CAST IN PLACE DIAPHRAGM - SECTION
1 : 25

B.M. ELEV.		TETRA TECH					
DESIGNED BY	D.M.	CHECKED BY	J.Z.	ORIGINAL DRAWING SIGNED BY: D. MUHURDAREVIC, P.ENG. DATE: 17.10.04	CONSULTANT DRAWING NO. 1600070700-DWG-S0035	SASKATCHEWAN AVE AT STURGEON CREEK BRIDGE CONSTRUCTION	
DRAWN BY	B.M.	APPROVED BY	E.F.S.	HOR. SCALE: AS NOTED VERTICAL: AS NOTED		CITY DRAWING NUMBER B248-17-035	
0 ISSUED FOR TENDER 17.10.04 D.M.				ACCEPTED BY DATE B. MUHURDAREVIC, P.ENG. BRIDGE PROJECTS ENGINEER 17.10.04		SHEET 35 OF 69	
NO. REVISIONS		DATE	BY	DATE	17.10.04	BRIDGE DECK - CONCRETE SECTIONS AND DETAILS 35	