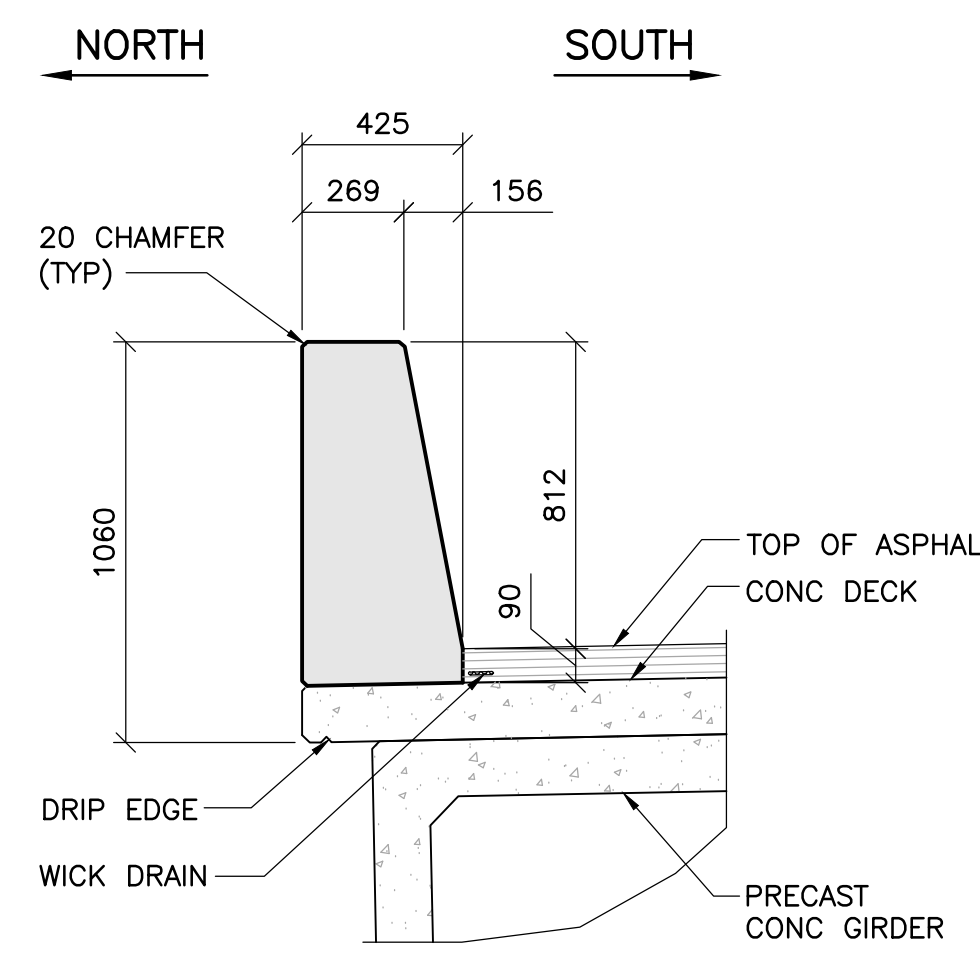
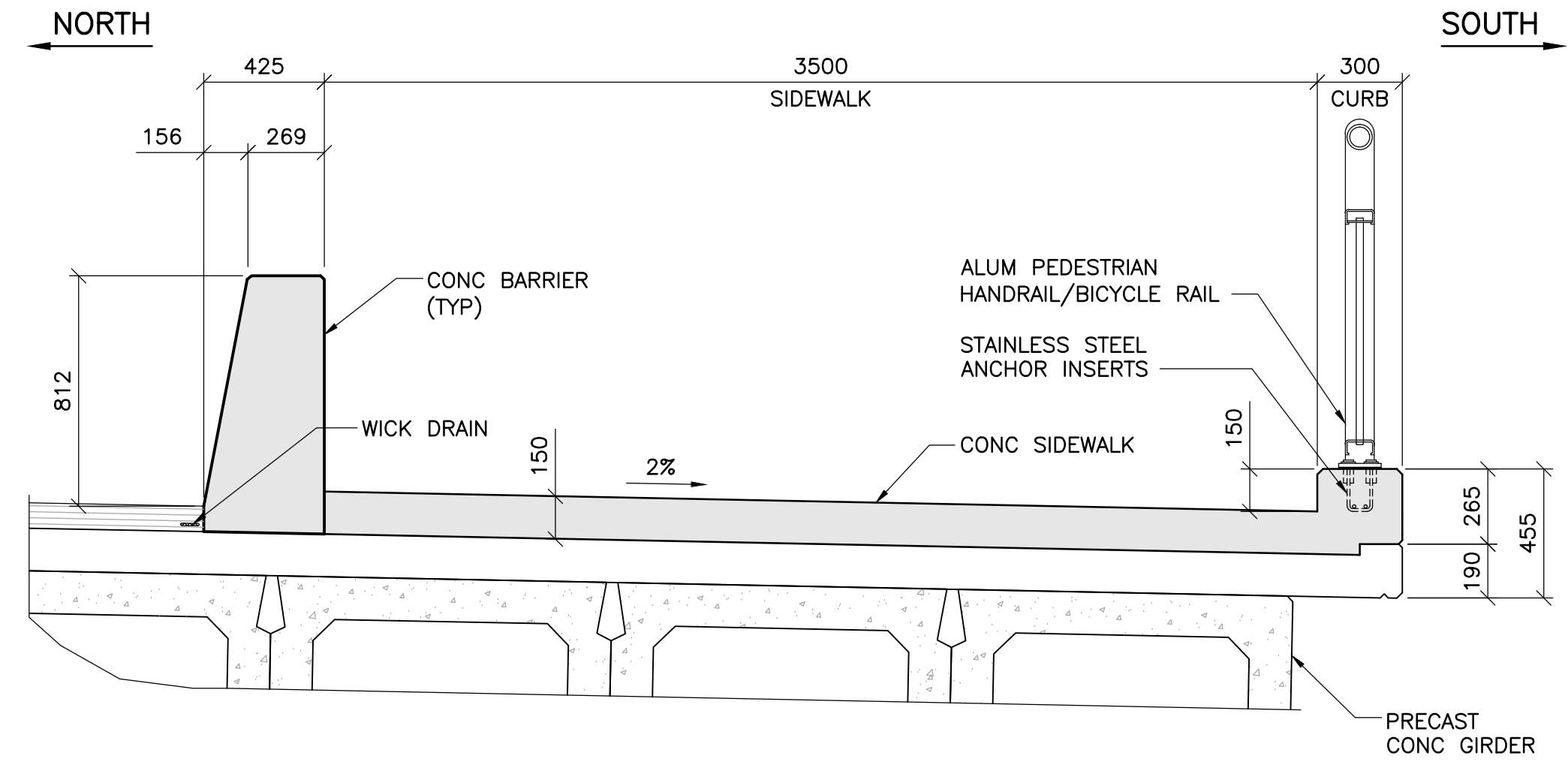


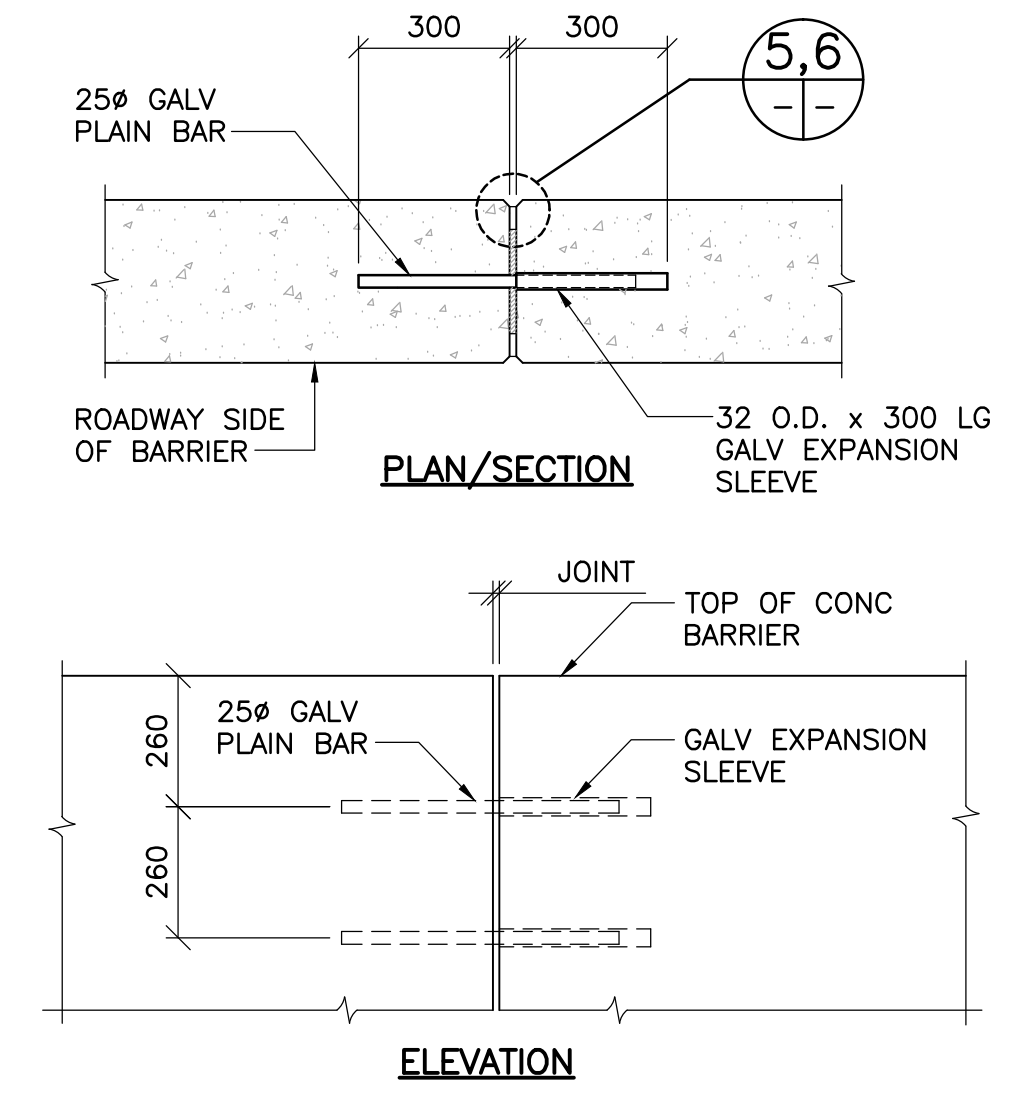
**1** SIDEWALK, BARRIER AND CURB - PLAN  
1 : 100



**2** BARRIER SECTION  
1 : 20

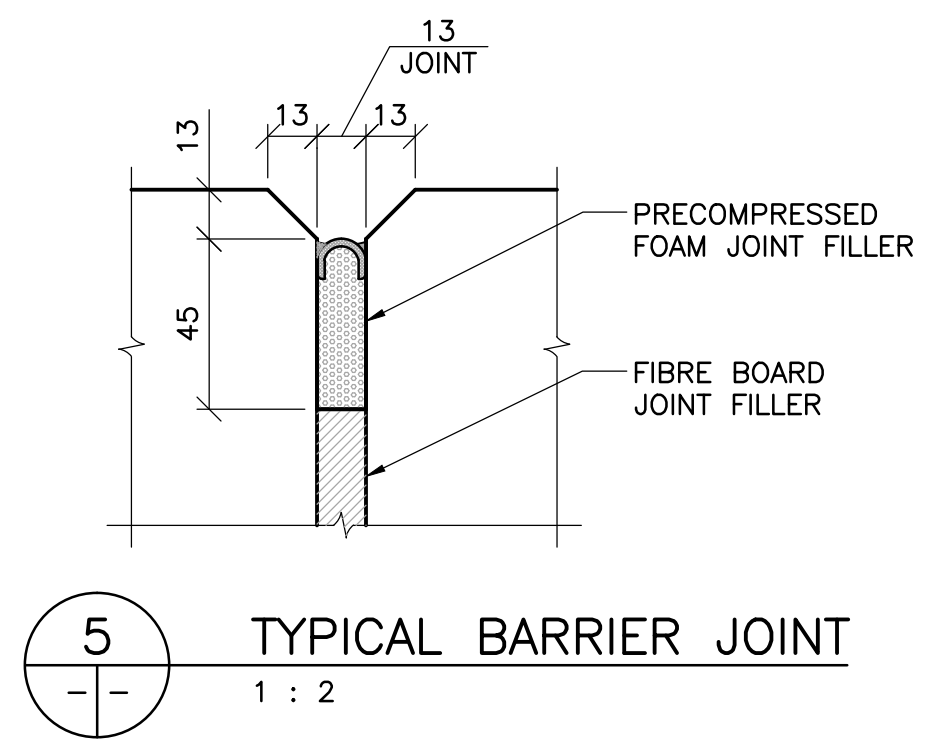


**3** SIDEWALK SECTION  
1 : 20

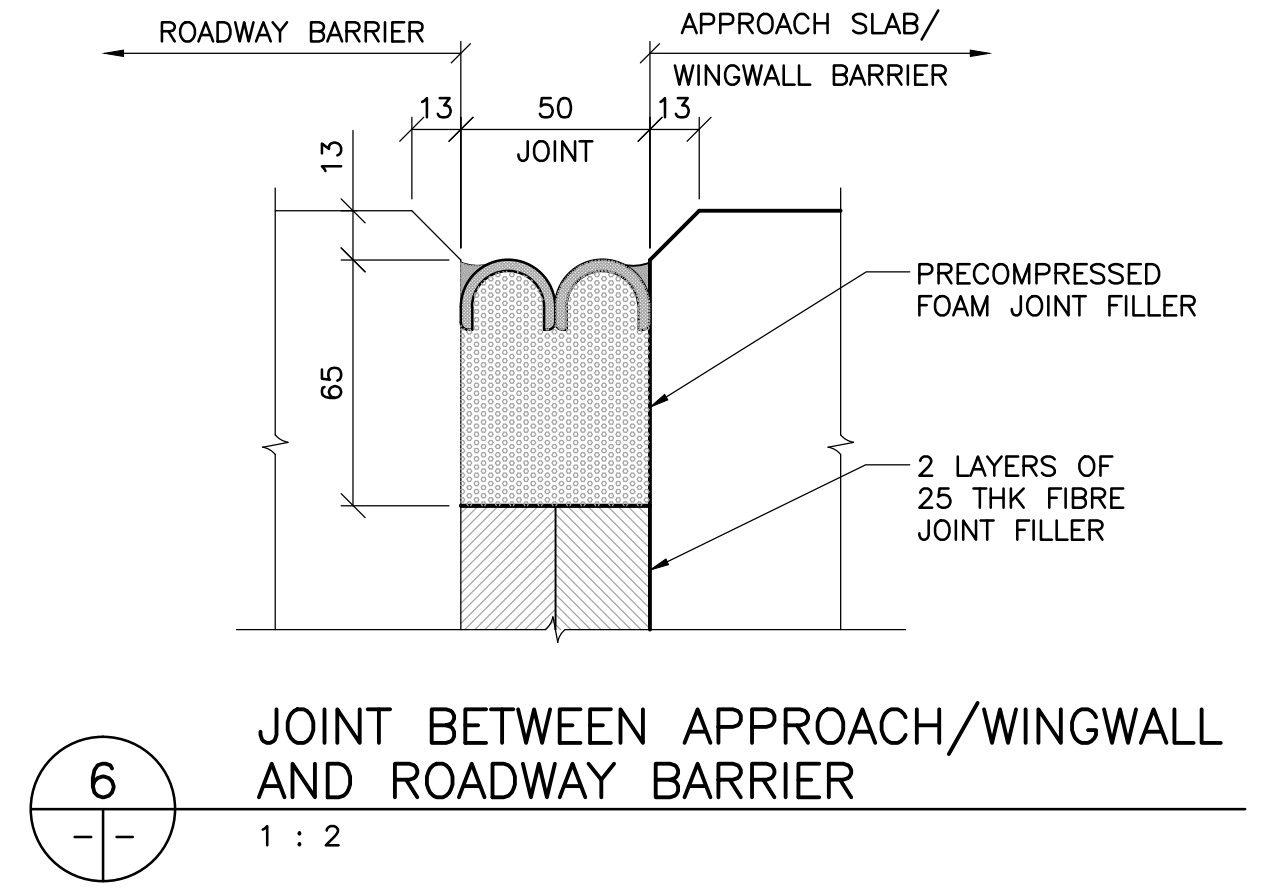


**4** BARRIER JOINT DETAIL  
1 : 15

- GALVANIZED PLAIN BAR AND EXPANSION SLEEVE TO BE LOCATED AT ALL CONC BARRIER JOINTS INCLUDING CONNECTION TO ROADWAY BARRIER, HELD IN PLACE SECURELY BY A WOODEN TEMPLATE DURING CONC PLACEMENT
- REINFORCING STEEL NOT CONTINUOUS THROUGH JOINTS
- GALVANIZED PLAIN BAR AND SLEEVE PLACED INTO BARRIER CAST FIRST



**5** TYPICAL BARRIER JOINT  
1 : 2



**6** JOINT BETWEEN APPROACH/WINGWALL AND ROADWAY BARRIER  
1 : 2



B.M. ELEV.	DATE	BY
0 ISSUED FOR TENDER	17.10.04	D.M.
NO. REVISIONS	DATE	BY

DESIGNED BY		CHECKED BY	
D.M.		J.Z.	
DRAWN BY		APPROVED BY	
G.I. / B.M.		E.F.S.	
HOR. SCALE:		DATE	
AS NOTED		17.10.04	
VERTICAL:		SIGNED BY:	
		D. MUHURAREVIC, P.ENG.	
DATE 17.10.04		CONSULTANT DRAWING NO. 1600070700-DWG-S0036	



THE CITY OF WINNIPEG PUBLIC WORKS DEPARTMENT ENGINEERING DIVISION	SASKATCHEWAN AVE AT STURGEON CREEK BRIDGE CONSTRUCTION	CITY DRAWING NUMBER B248-17-036 SHEET 36 OF 69
	SIDEWALK, BARRIER AND CURB PLAN, SECTIONS AND DETAILS	