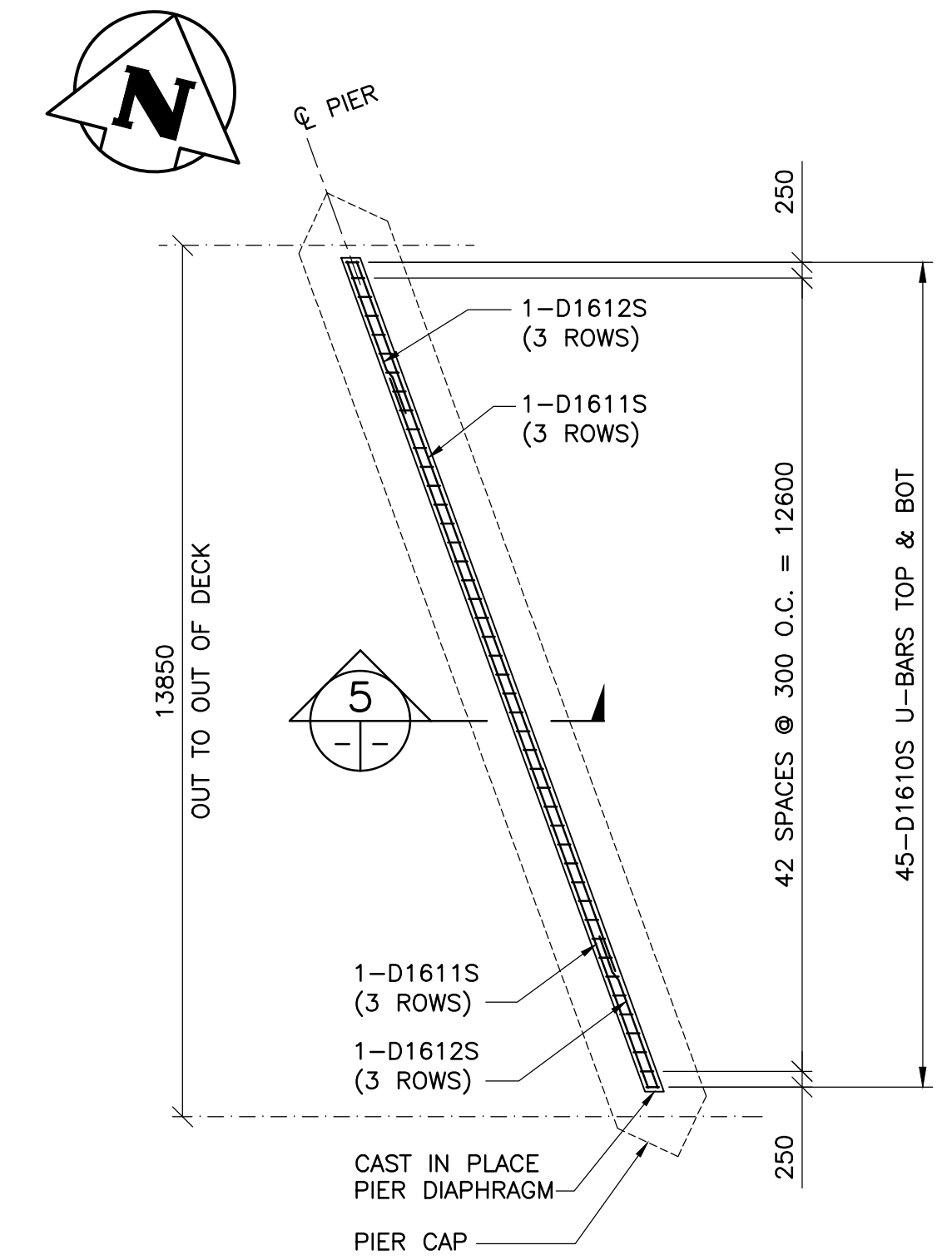
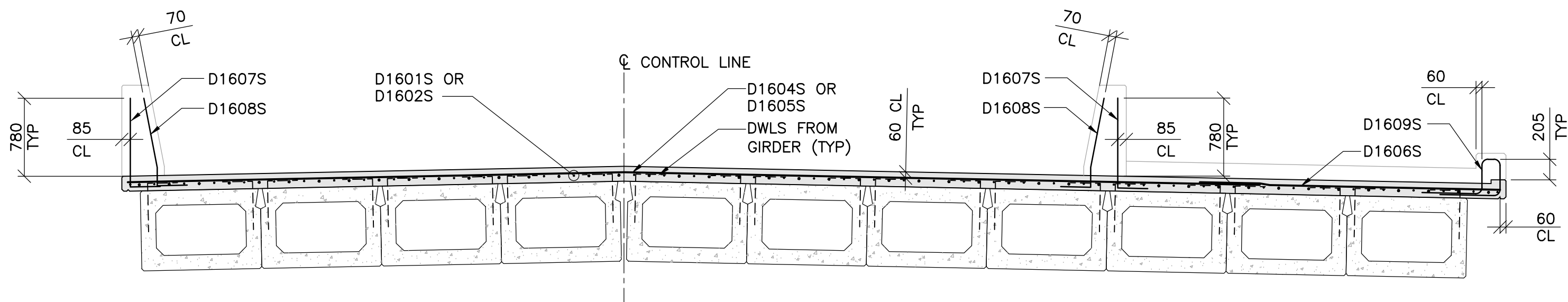


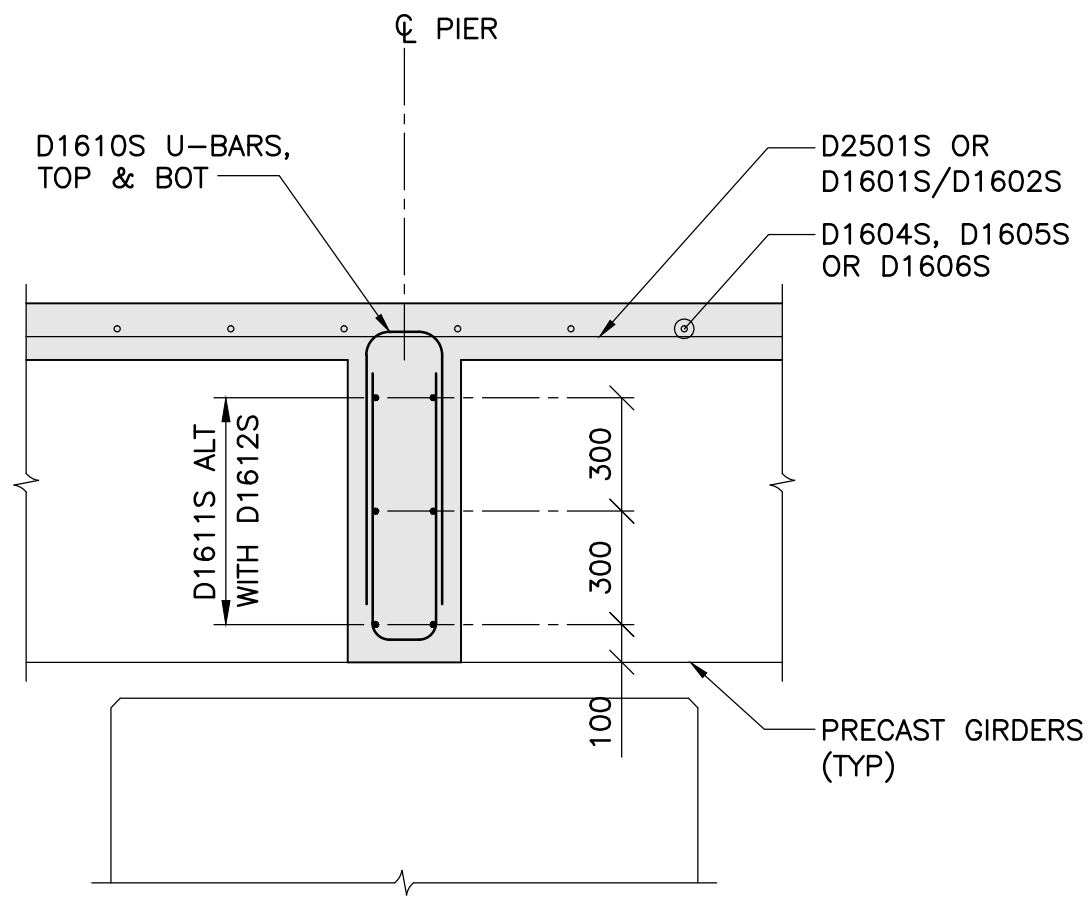
**1** DECK REINFORCING - PLAN  
1 : 100



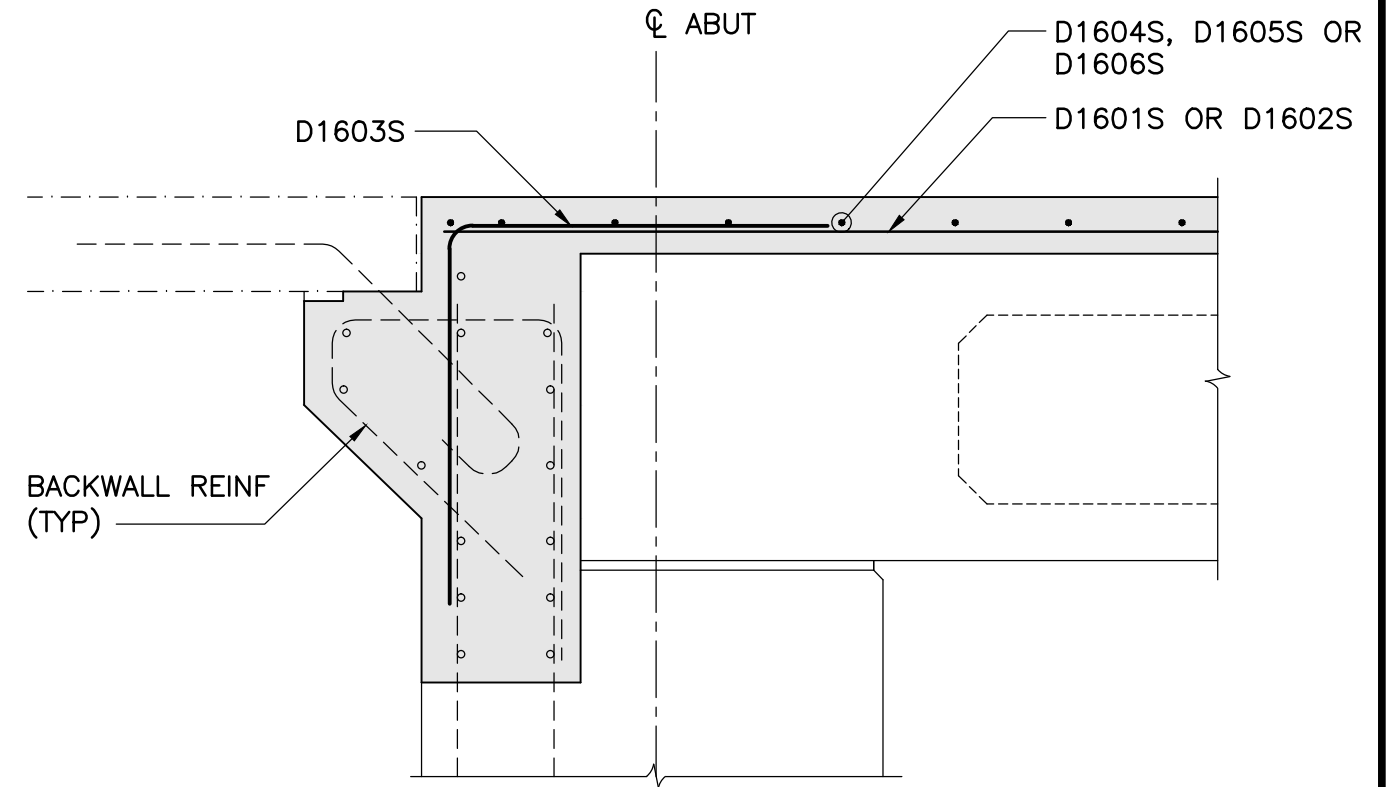
**4** PIER DIAPHRAGM - REINFORCING PLAN  
1 : 100  
- TYPICAL FOR EAST AND WEST PIER  
- ENDS OF PIER DIAPHRAGM TO MATCH OUTSIDE FACE OF EXTERIOR GIRDERS



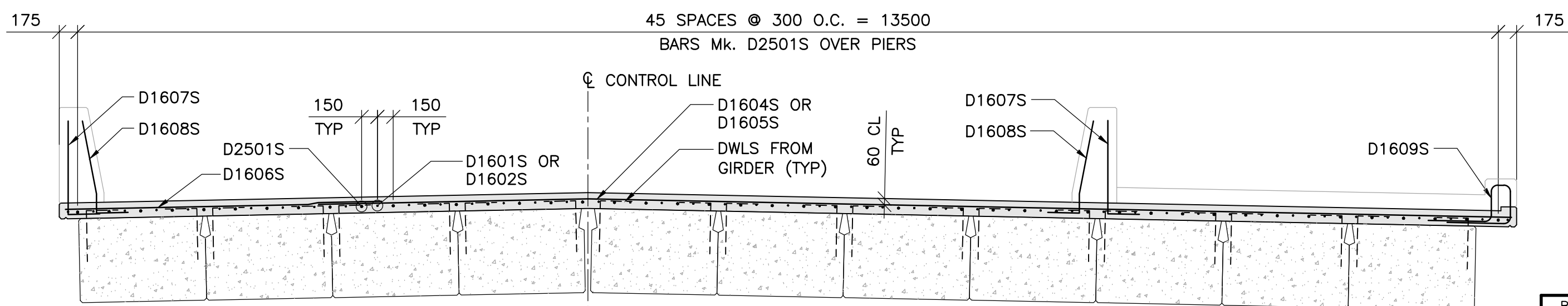
**2** TYPICAL DECK SECTION  
1 : 40



**5** PIER DIAPHRAGM - SECTION  
1 : 20



**6** SECTION AT ABUTMENT  
1 : 20



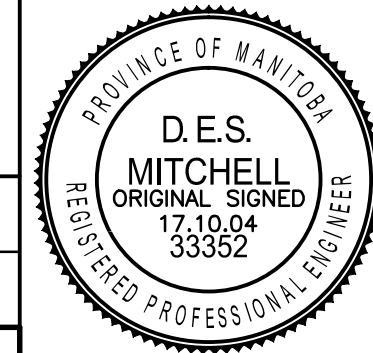
**3** DECK SECTION OVER PIER  
1 : 40

ENGINEERS  
GEOSCIENTISTS  
MANITOBA  
Certificate of Authorization  
Tetra Tech Canada Inc.  
No. 6499

B.M. ELEV.	DATE	BY



DESIGNED BY: D.M.	CHECKED BY: J.Z.
DRAWN BY: M.V./B.M.	APPROVED BY: E.F.S.
HOR. SCALE: AS NOTED	ACCEPTED BY: DATE 17.10.04
VERTICAL: AS NOTED	ORIGINAL DRAWING SIGNED BY: D. MUHURDAREVIC, P.ENG.
DATE: 17.10.04	B. MUHURDAREVIC, P.ENG. BRIDGE PROJECTS ENGINEER



**THE CITY OF WINNIPEG**  
PUBLIC WORKS DEPARTMENT  
ENGINEERING DIVISION

SASKATCHEWAN AVE AT STURGEON CREEK BRIDGE CONSTRUCTION

CITY DRAWING NUMBER: B248-17-037  
SHEET 37 OF 69

DECK - REINFORCING DETAILS

1600070700-DWG-S0037

37