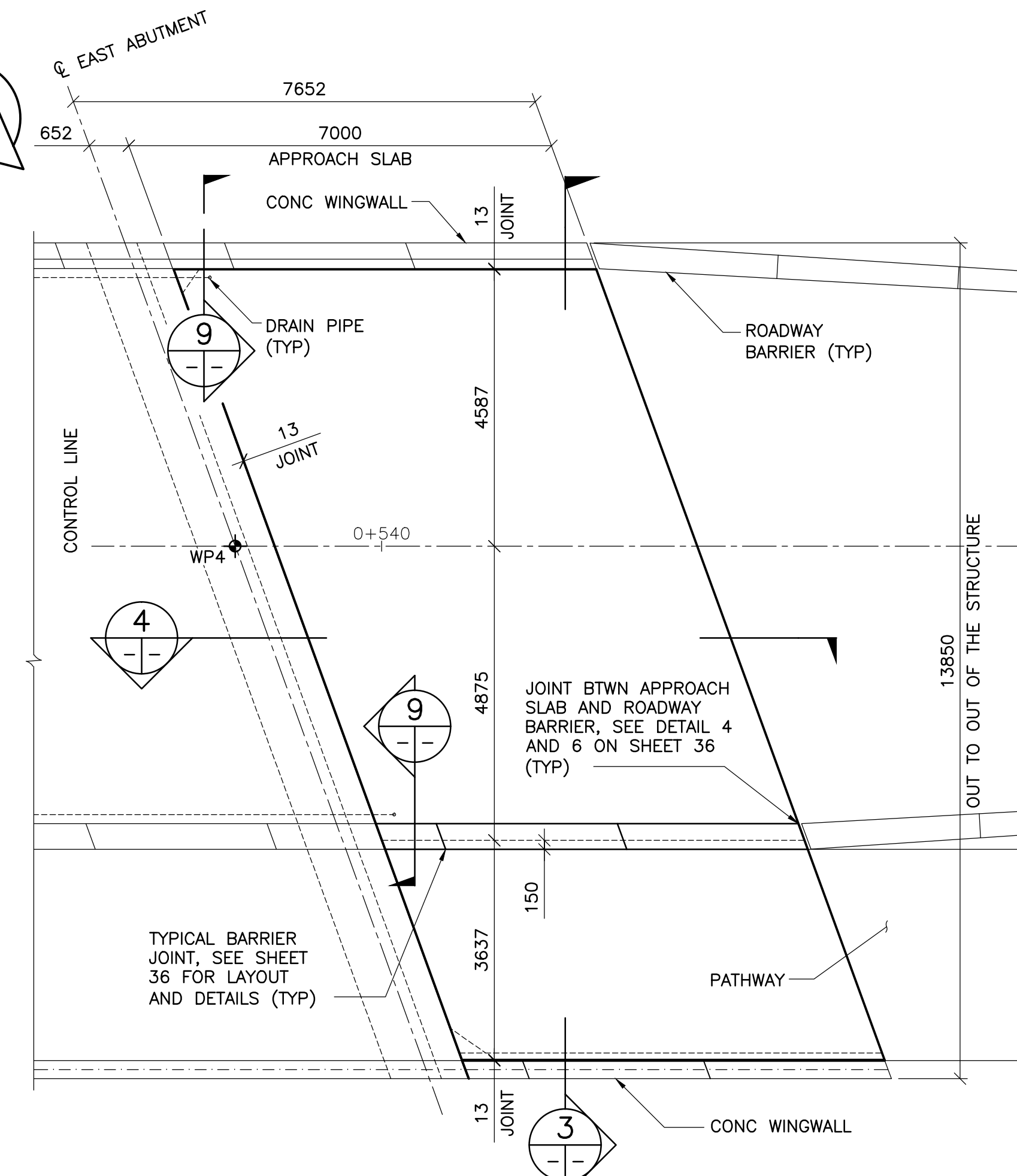
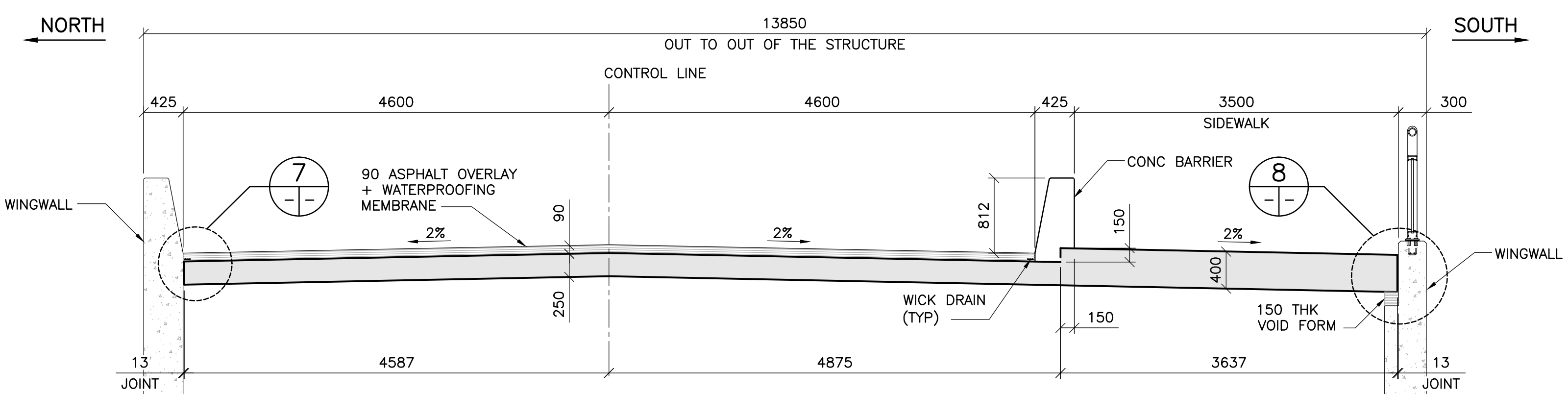


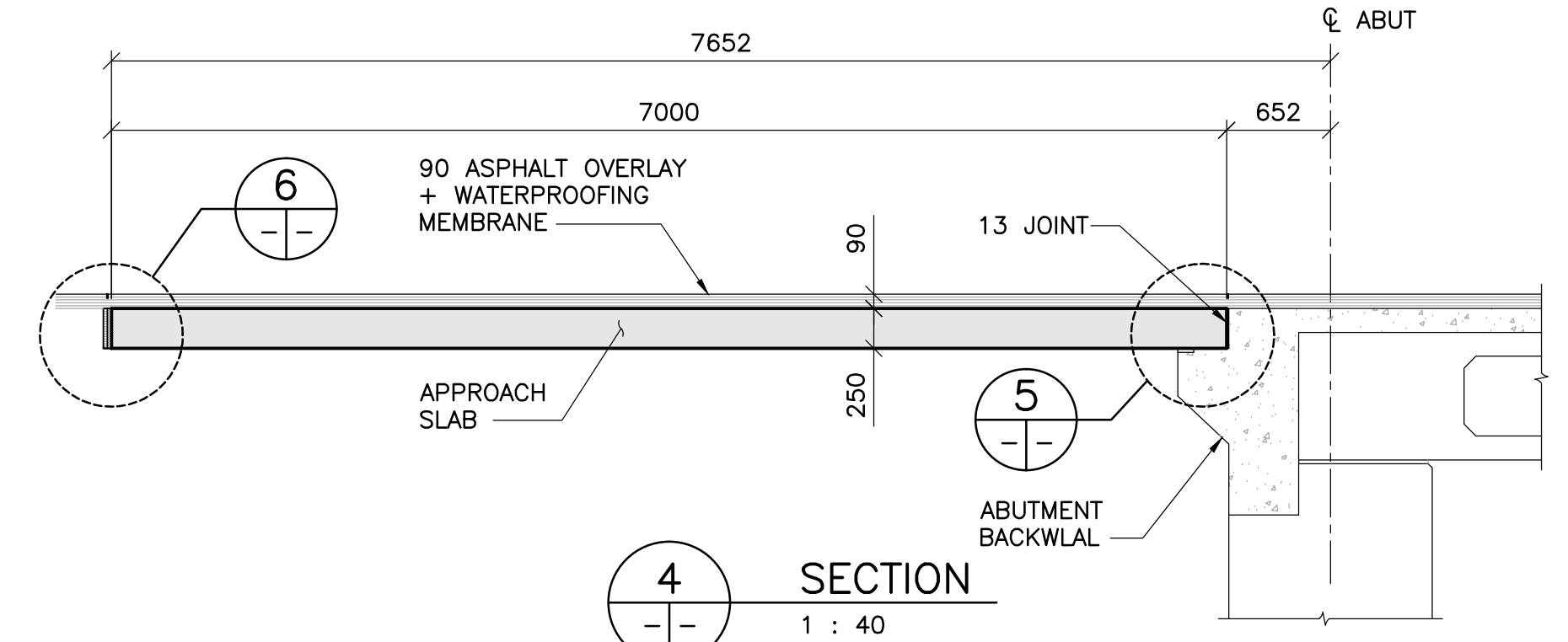
1 WEST APPROACH SLAB - PLAN
1 : 75



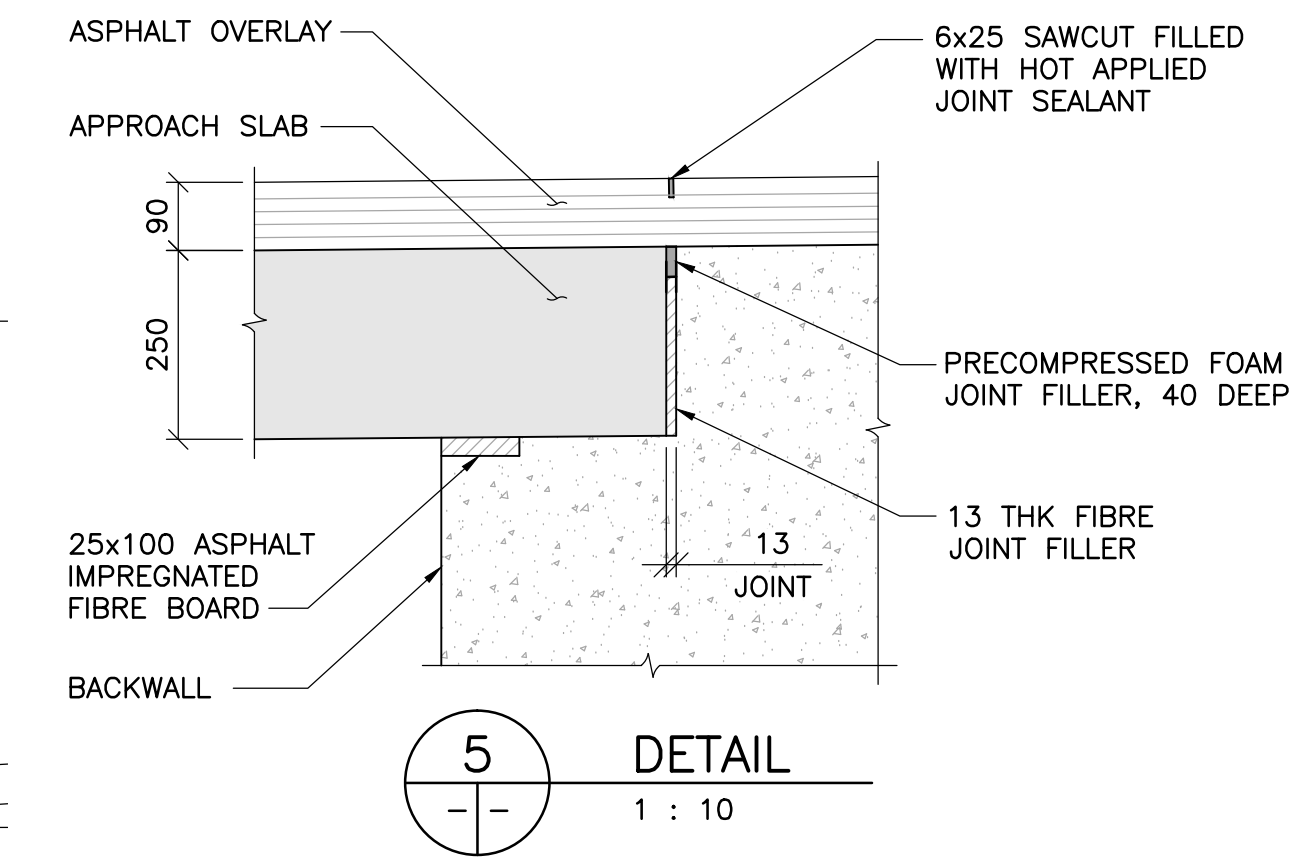
2 EAST APPROACH SLAB - PLAN
1 : 75



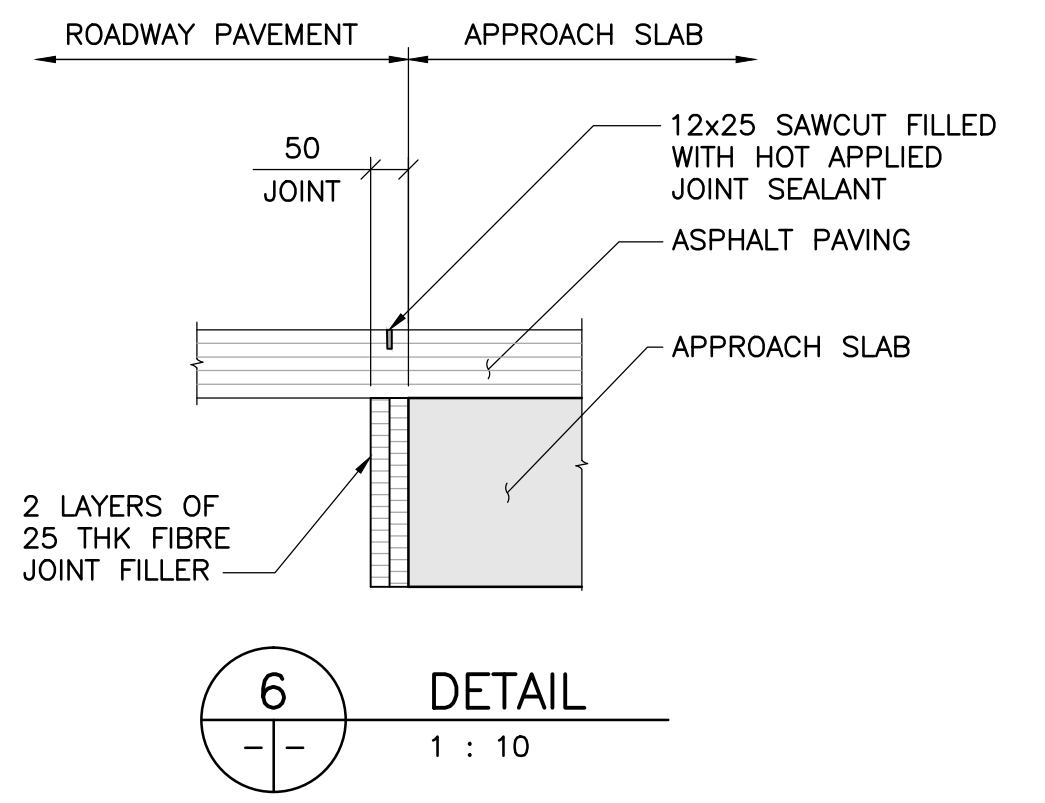
3 APPROACH SLAB - CROSS SECTION
1 : 40



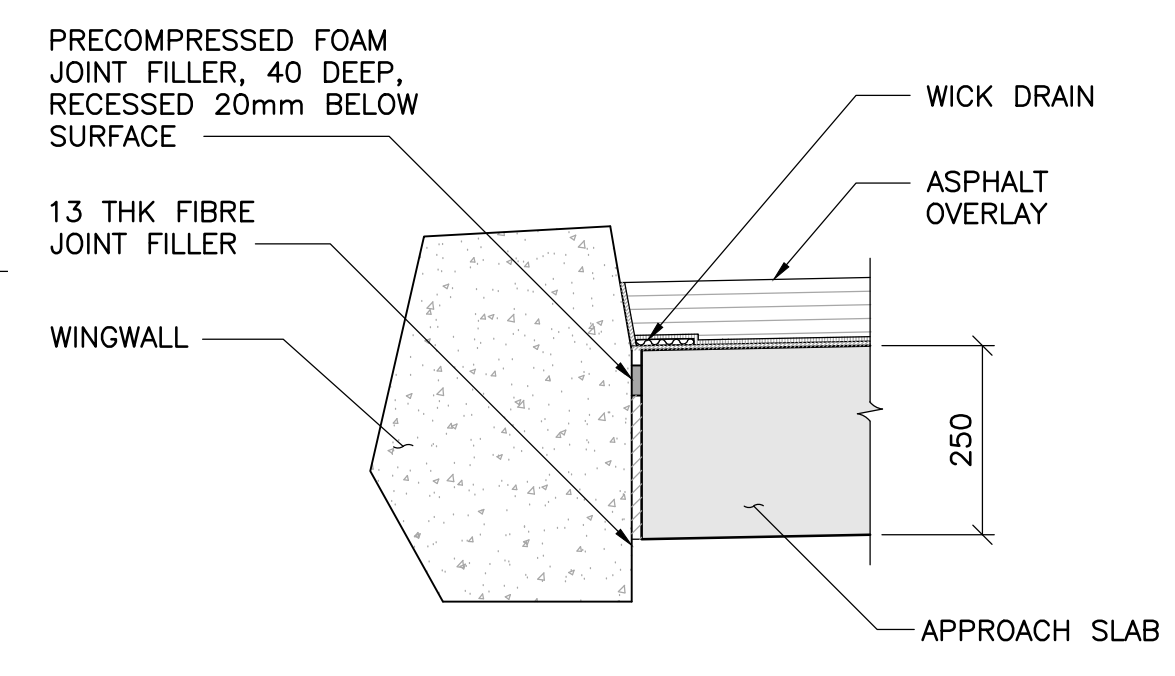
4 SECTION
1 : 40



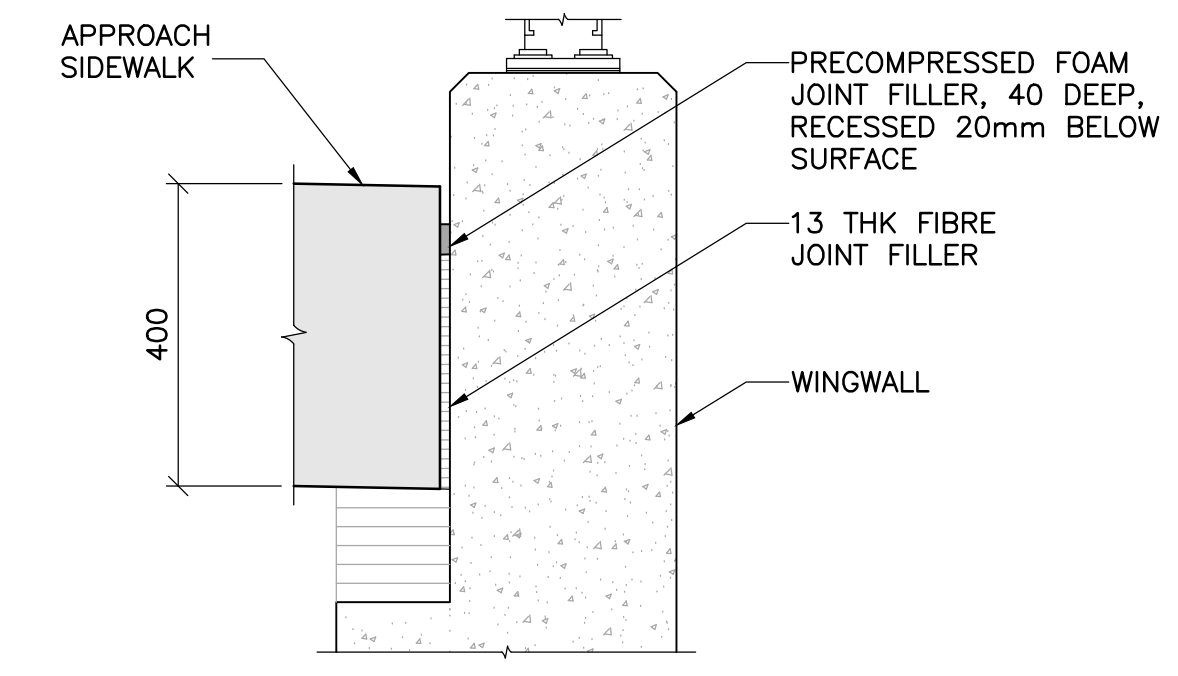
5 DETAIL
1 : 10



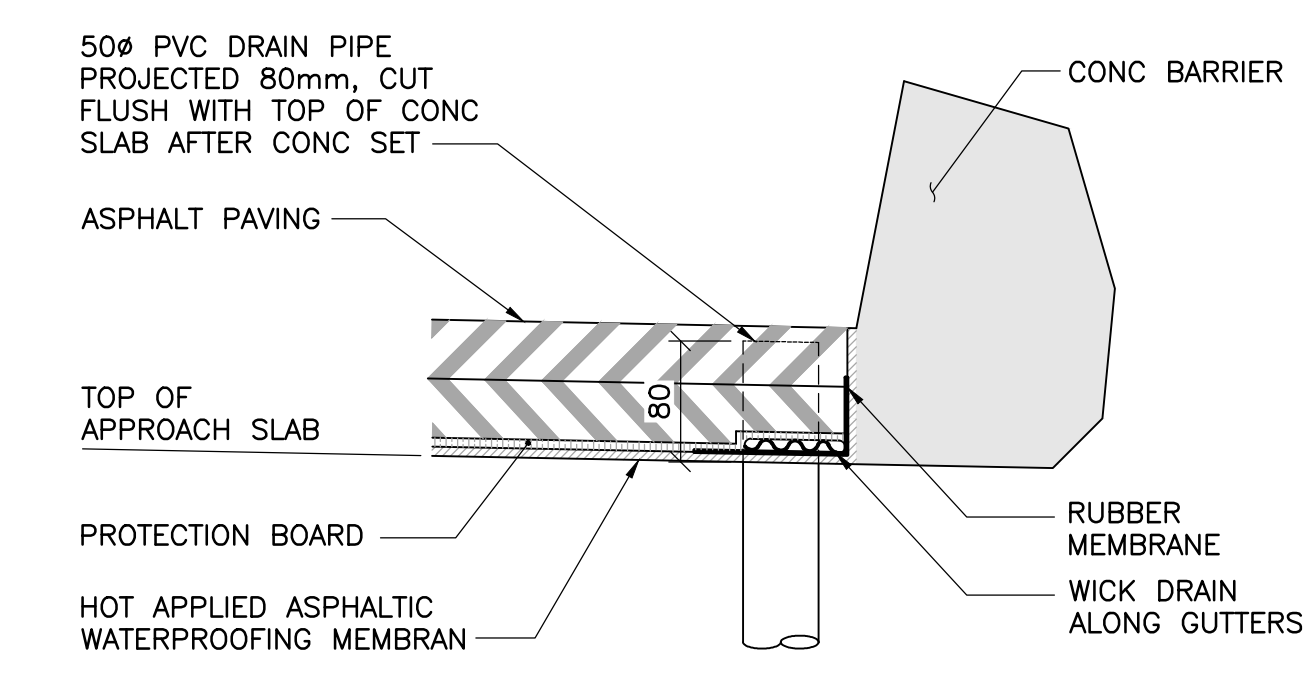
6 DETAIL
1 : 10



7 DETAIL
1 : 10



8 DETAIL
1 : 10



9 SECTION
1 : 5



B.M. ELEV.								
DESIGNED BY	D.M.	CHECKED BY	J.Z.					
DRAWN BY	B.M.	APPROVED BY	E.F.S.					
HOR. SCALE:	AS NOTED	ACCEPTED BY	DATE					
0 ISSUED FOR TENDER	17.10.04	D.M.		VERTICAL:				
NO. REVISIONS	DATE	BY	DATE	17.10.04				
							CONSULTANT DRAWING NO.	1600070700-DWG-S0043

THE CITY OF WINNIPEG
PUBLIC WORKS DEPARTMENT
ENGINEERING DIVISION

SASKATCHEWAN AVE AT STURGEON CREEK BRIDGE CONSTRUCTION

EAST AND WEST APPROACH SLAB CONCRETE DETAILS

CITY DRAWING NUMBER: B248-17-043
SHEET 43 OF 69

43