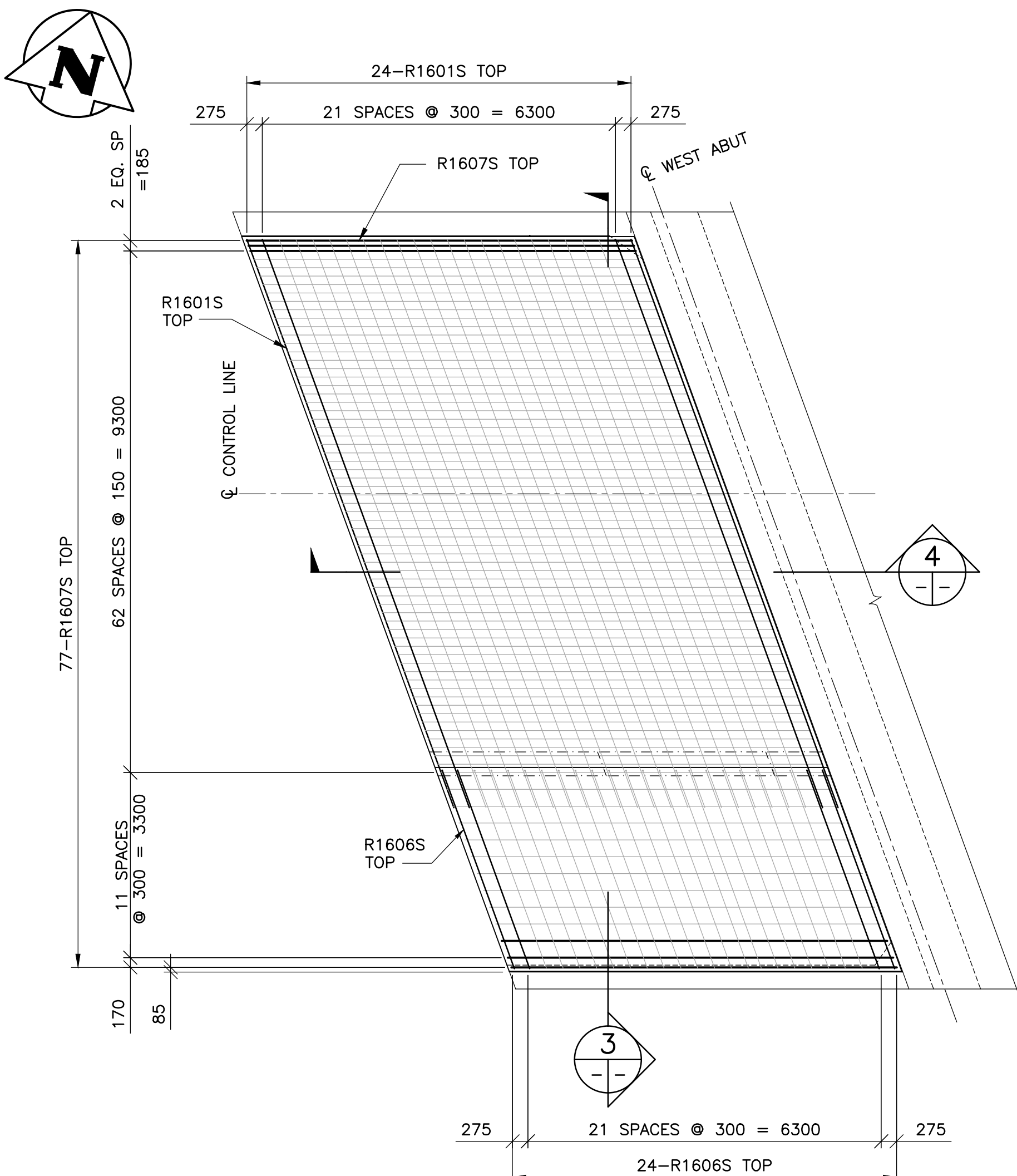
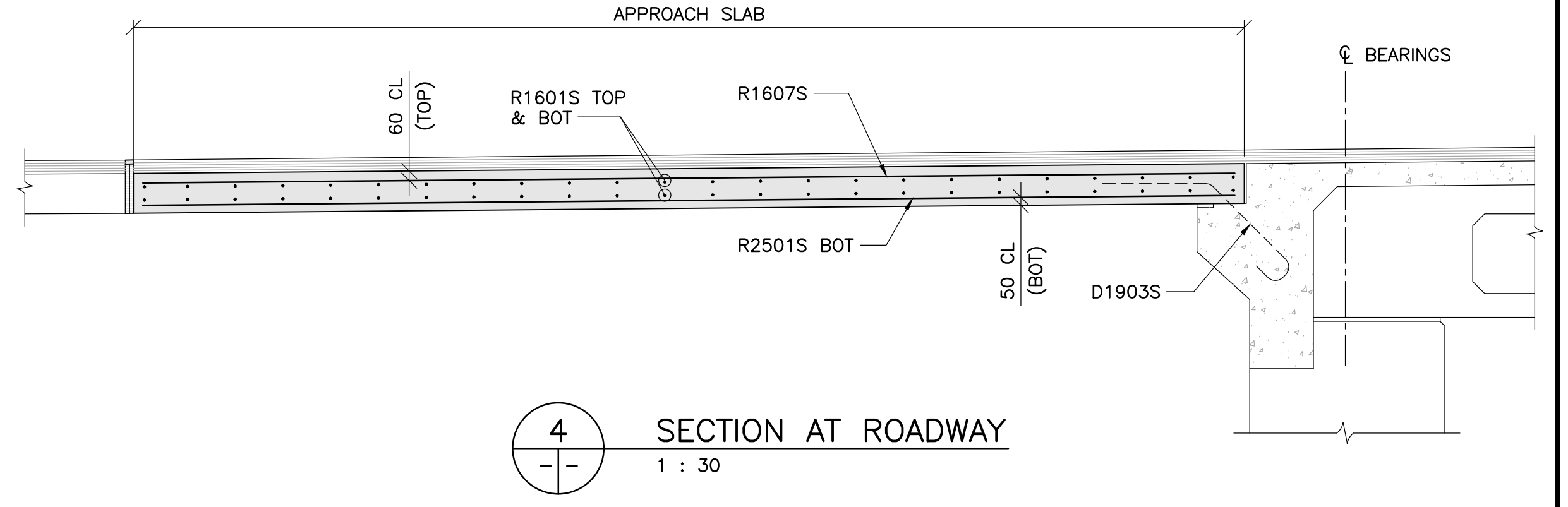


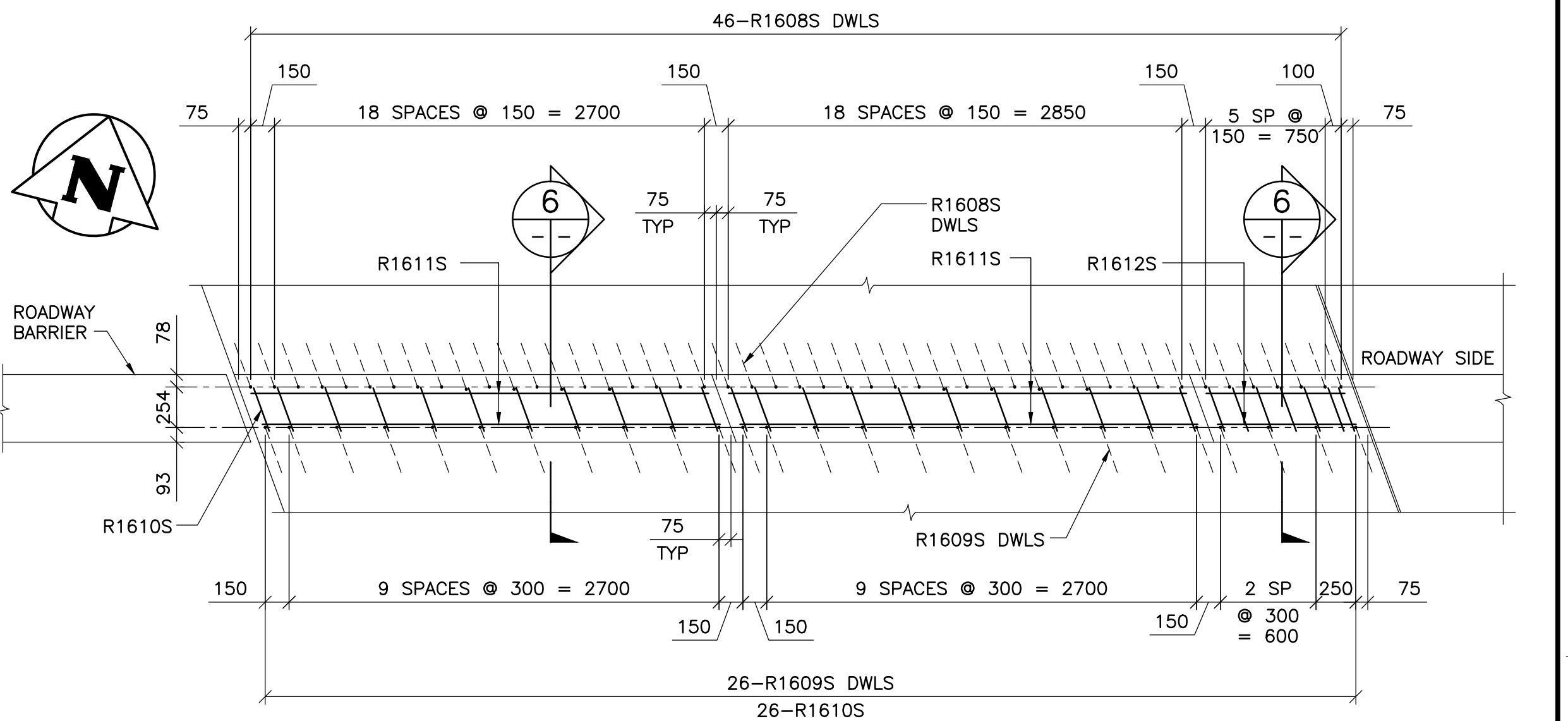
1 WEST APPROACH SLAB - PLAN
1 : 75
- SHOWING BOTTOM MAT REINFORCING
- WEST APPROACH AS SHOWN, EAST APPROACH SIMILAR



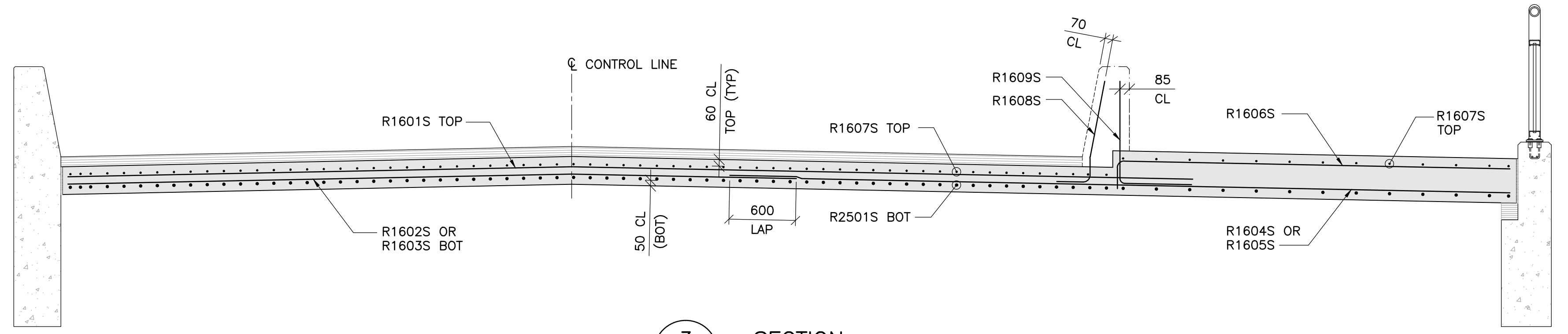
2 WEST APPROACH SLAB - PLAN
1 : 75
- SHOWING TOP MAT REINFORCING
- WEST APPROACH AS SHOWN, EAST APPROACH SIMILAR



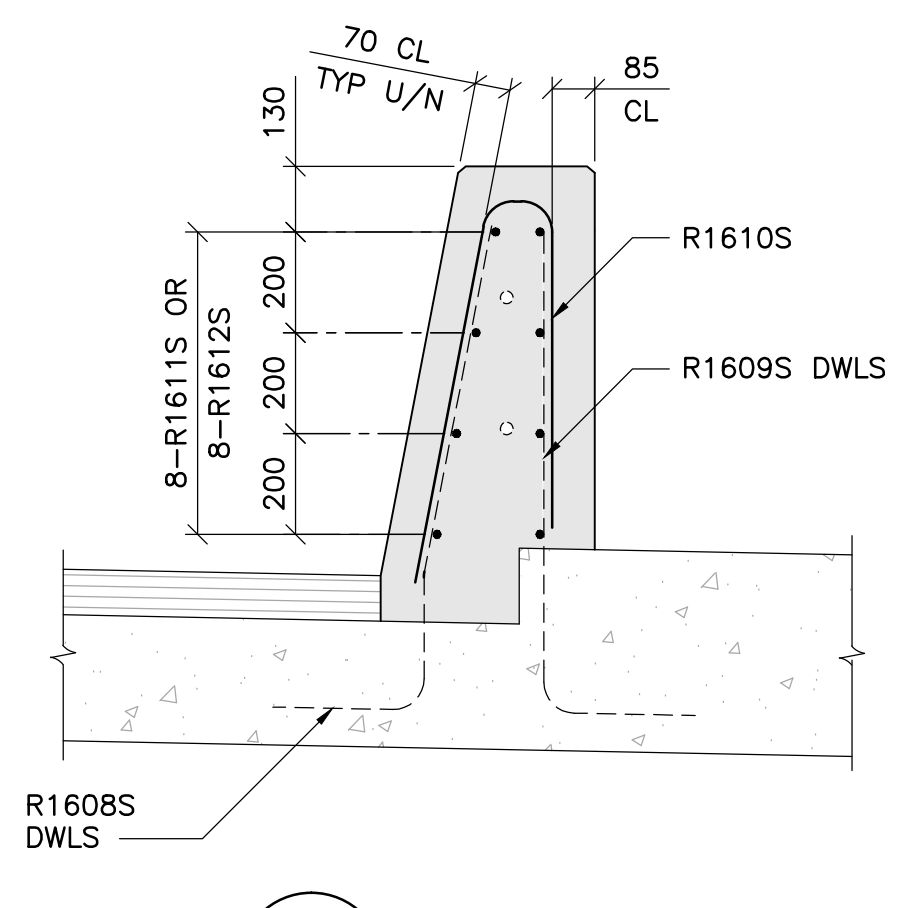
4 SECTION AT ROADWAY
1 : 30



5 APPROACH BARRIER REINF
1 : 30
- WEST APPROACH BARRIER AS SHOWN,
EAST APPROACH BARRIER SIMILAR



3 SECTION
1 : 30



6 SECTION
1 : 15



B.M.			
ELEV.			
0	ISSUED FOR TENDER	17.10.04	D.M.
NO.	REVISIONS	DATE	BY

TETRA TECH	
DESIGNED BY D.M.	CHECKED BY J.Z.
DRAWN BY B.M.	APPROVED BY E.F.S.
HOR. SCALE: AS NOTED	ACCEPTED BY DATE
VERTICAL: AS NOTED	ORIGINAL DRAWING SIGNED BY: D. MUHURDAREVIC, P.ENG. 17.10.04
DATE 17.10.04	CONSULTANT DRAWING NO. 1600070700-DWG-S0044



THE CITY OF WINNIPEG
PUBLIC WORKS DEPARTMENT
ENGINEERING DIVISION

SASKATCHEWAN AVE AT STURGEON CREEK
BRIDGE CONSTRUCTION

EAST AND WEST APPROACH SLAB
REINFORCING DETAILS

CITY DRAWING NUMBER
B248-17-044
SHEET 44 OF 69

44