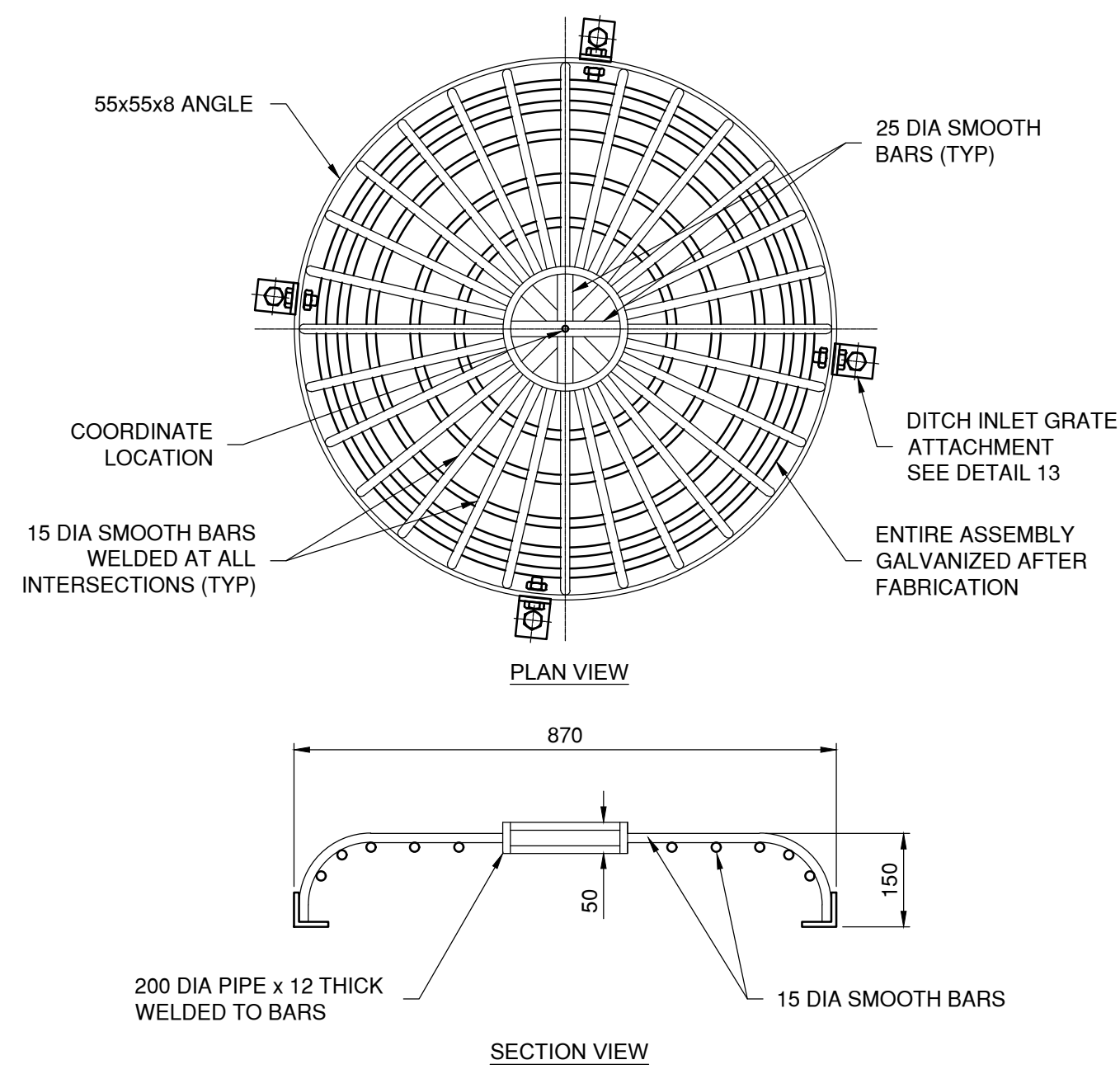


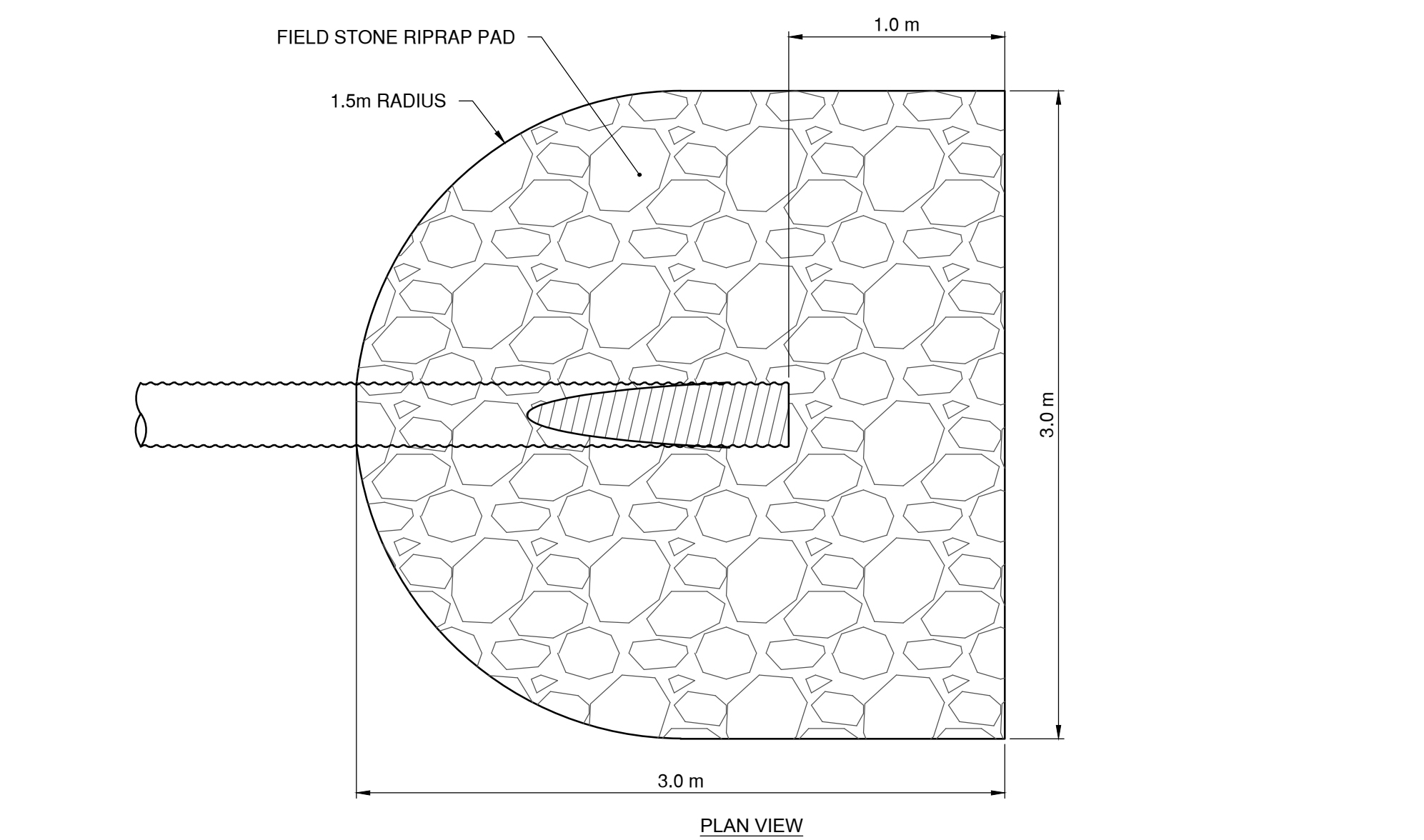
STANDARD 900 DITCH INLET CATCHBASIN DETAIL

10/10/203 SCALE: 1:25



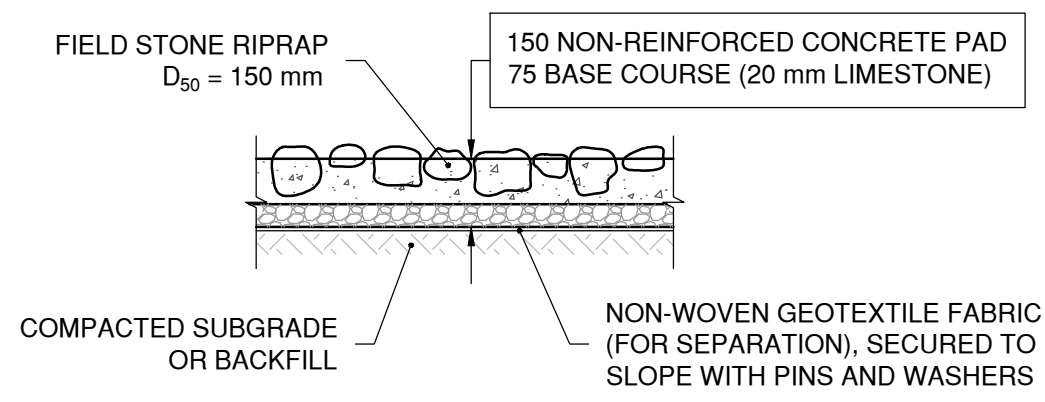
DITCH INLET GRATE

12/10/203 SCALE: 1:10



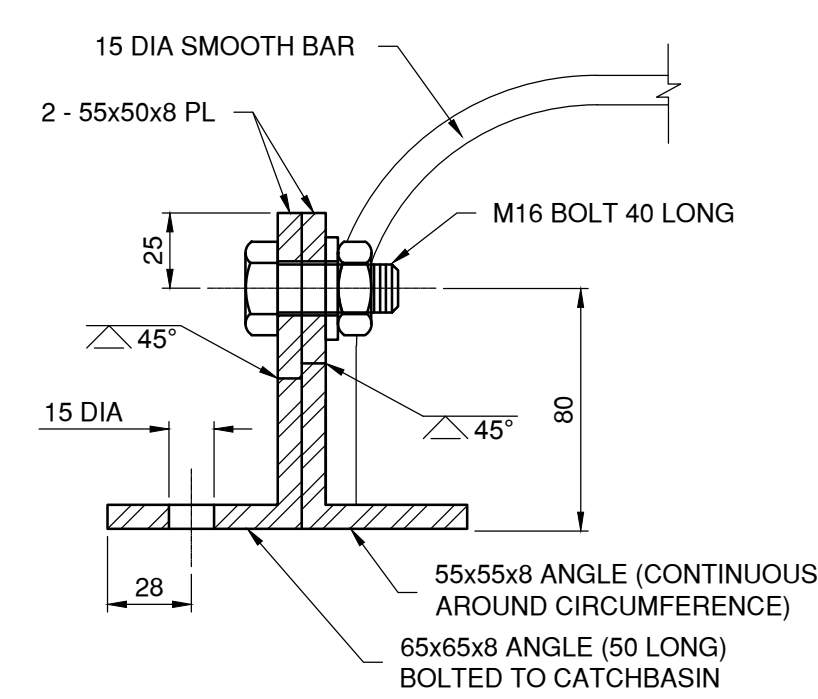
C.S.P. DITCH OUTLET AND RIPRAP

15/00/203 SCALE: 1:50



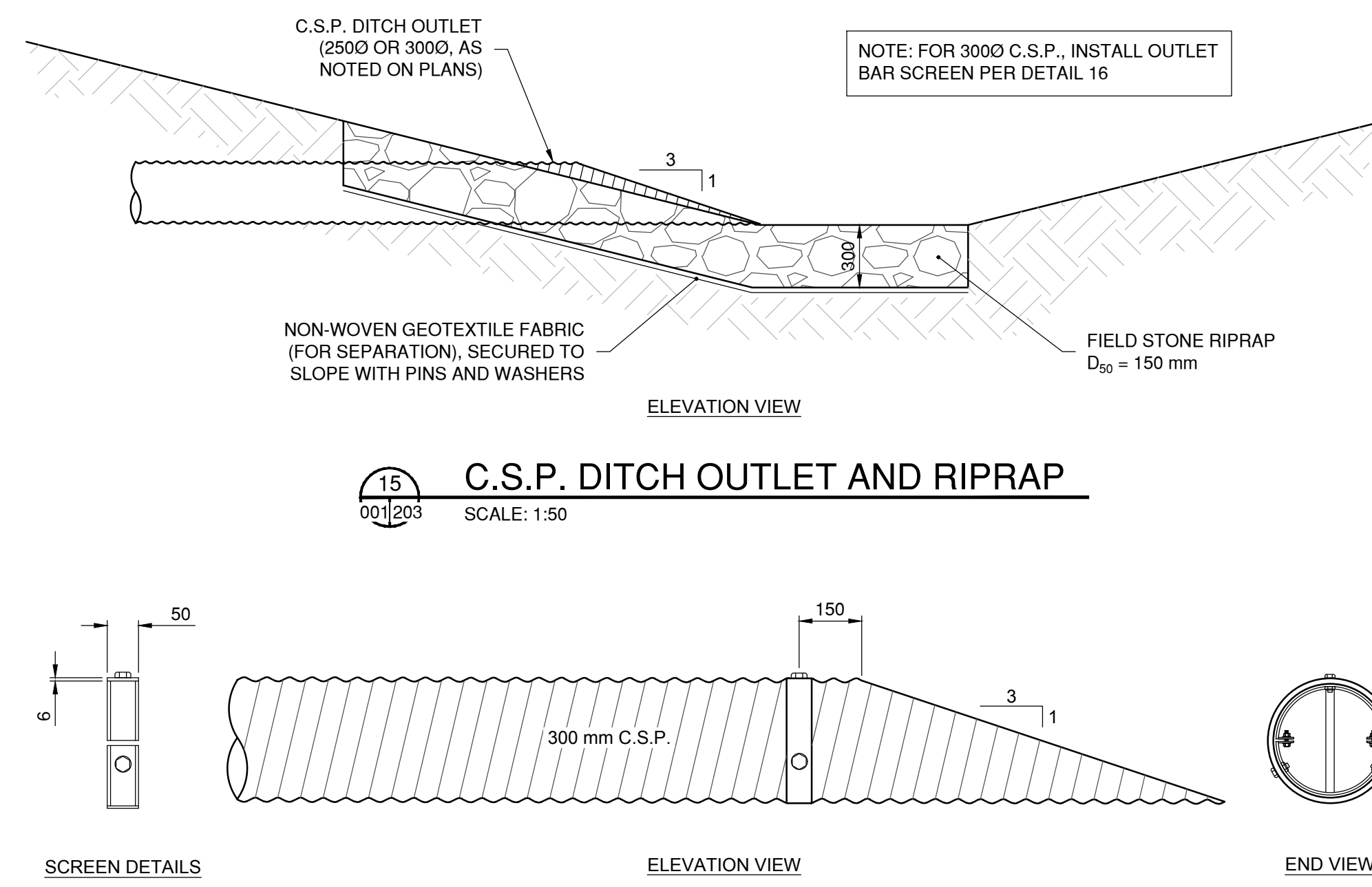
GROUDED RIPRAP STRUCTURE

11/10/203 SCALE: 1:25



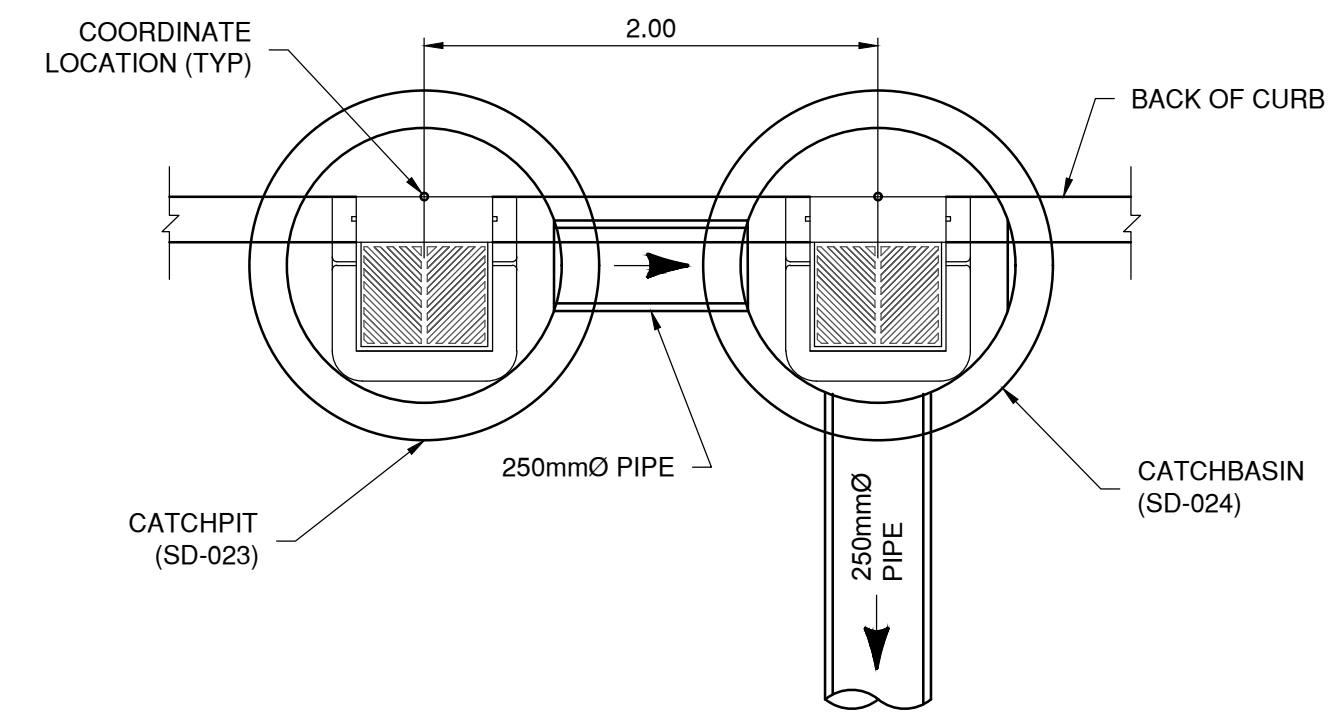
DITCH INLET GRATE ATTACHMENT

13/10/203 SCALE: 1:2.5



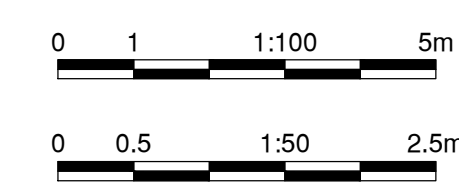
300 C.S.P. OUTLET BAR SCREEN

16/10/203 SCALE: 1:50



DOUBLE CATCHPIT/ CATCHBASIN LAYOUT

14/10/203 SCALE: 1:25



B.M. CITY OF WINNIPEG 40-42 ELEV. 238.985m				THE CITY OF WINNIPEG PUBLIC WORKS DEPARTMENT ENGINEERING DIVISION	
DESIGNED BY: DRA	CHECKED BY: AF			SASKATCHEWAN AT STURGEON CREEK BRIDGE CONSTRUCTION	
DRAWN BY: MT	APPROVED BY: EFS	HOR. SCALE: AS SHOWN VERTICAL: AS SHOWN		SHEET 59 OF 69	
0 ISSUED FOR TENDER	17.10.04 DRA	ACCEPTED BY: DATE: 17.10.04 ORIGINAL DRAWING SIGNED BY: D. MUHRDAREVIC, P. ENG. DAMIR MUHRDAREVIC, P. ENG. BRIDGE PROJECTS ENGINEER		59	
NO. REVISIONS	DATE BY	DATE: 17.10.04	CONSULTANT DRAWING NO.: 1600070700-C0059	SASKATCHEWAN AVENUE ROADWORKS TYPICAL DRAINAGE DETAILS	