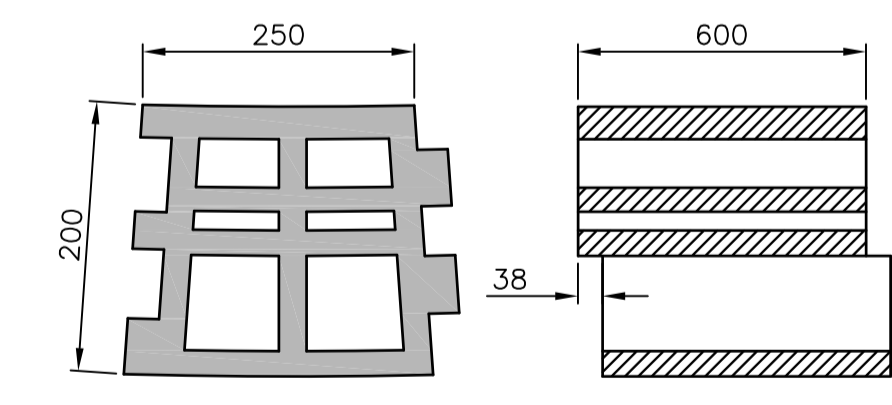
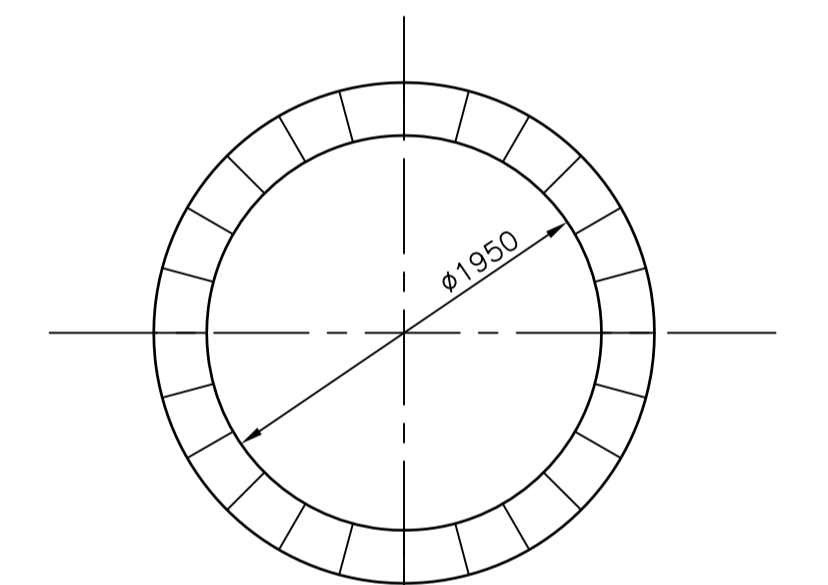
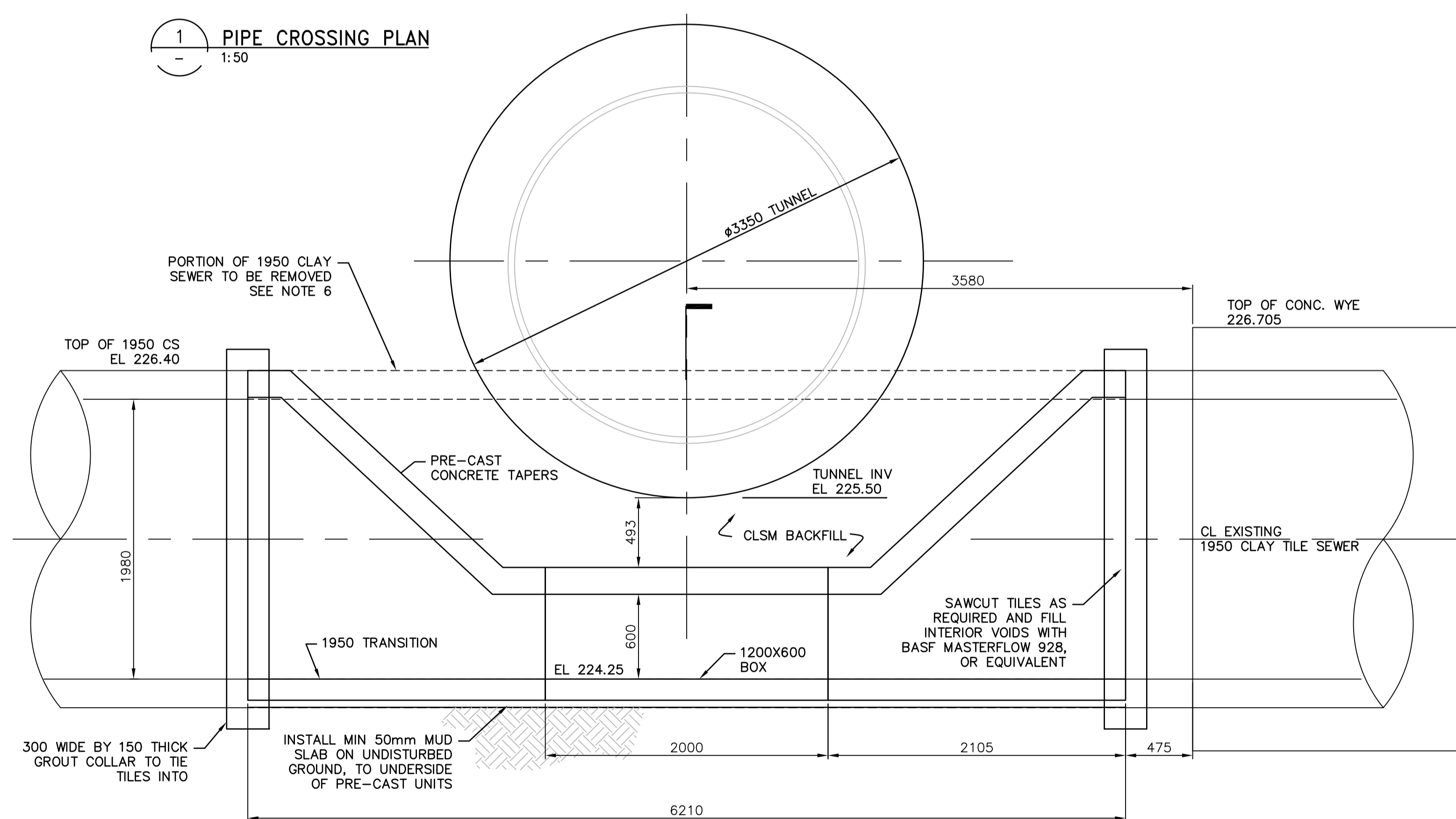


1 PIPE CROSSING PLAN
1:50

B SECTION
1:50



- CONSTRUCTION NOTES:
- SEWER AND WATER SERVICES SHOWN ON DRAWING ARE APPROXIMATE ONLY.
 - LOCATION OF ALL SEWER AND WATER LINES TO BE CONFIRMED IN FIELD.
 - INSTALL NEW SEWER BY TRENCHLESS METHODS, UNLESS OTHERWISE NOTED.
 - TRAFFIC MANAGEMENT PLAN TO BE IMPLEMENTED AS PER SPECIFICATIONS DURING EACH PHASE OF CONTRACT.
 - CONTRACTOR TO DESIGN TEMPORARY SHORING WORKS. SEE TRAFFIC RESTRICTIONS WITHIN THE DETAIL SPECIFICATIONS FOR CONSTRAINS.
 - CONTRACTOR TO TEMPORARILY SUPPORT CLAY TILES DURING INSTALLATION.
 - CONTRACTOR TO PROVIDE TEMPORARY BYPASS PUMPING.

A PIPE CROSSING DETAIL
1:25

2 TILE SEGMENT
NTS

APEGN
Certificate of Authorization
CH2M HILL Canada Ltd.
No. 1441

File name C:\pw_workdir\ch2mhill_wbg\jcoritez\0436659\

150 WM	WATER MAIN	150 WM	HYDRO	150 WM	WATER MAIN	150 WM
+	HYDRANT	+	M.T.S.	+	HYDRANT, VALVE	+
⊗	VALVE	⊗	CONCRETE	⊗	LAND DRAINAGE SEWER	⊗
300 LDS	LAND DRAINAGE SEWER	300 LDS	ASPHALT	250 WWS	WASTE WATER SEWER	250 WWS
250 WWS	WASTE WATER SEWER	250 WWS	SIDEWALK	×	CENTRELINE	×
○	MANHOLE	●	PLANNING	□	NORTH/WEST GUTTER	□
□	CATCH BASIN	■	PROPERTY LINE	○	SOUTH/EAST GUTTER	○
▽	CURB INLET	▽	SURVEY BAR	◇, ○	N/W, S/E R'S	◇, ○
∩	BEND	∩	GAS			
∩	REDUCER	∩	CURB STOP			
J		J	TEE			
EXISTING	LEGEND-PLAN	PROPOSED	EXISTING	LEGEND-PLAN	PROPOSED	EXISTING
				LEGEND-PROFILE		PROPOSED

LOCATION APPROVED UNDERGROUND STRUCTURES

SUPV. U/G STRUCTURES COMMITTEE DATE

NOTE:
LOCATION OF UNDERGROUND STRUCTURES AS SHOWN ARE BASED ON THE BEST INFORMATION AVAILABLE BUT NO GUARANTEE IS GIVEN THAT ALL EXISTING UTILITIES ARE SHOWN OR THAT THE GIVEN LOCATIONS ARE EXACT. CONFIRMATION OF EXISTENCE AND EXACT LOCATION OF ALL SERVICES MUST BE OBTAINED FROM THE INDIVIDUAL UTILITIES BEFORE PROCEEDING WITH CONSTRUCTION.

B.M. ELEV.	NO.	REVISIONS	DATE	BY
	B	ISSUED FOR RFQ	11/2017	JBC
	A	ISSUED FOR REVIEW	10/2017	JBC

KGS GROUP
CONSULTING ENGINEERS

ch2m

DESIGNED BY: CB
DRAWN BY: JBC

CHECKED BY: AF
APPROVED BY:

HOR. SCALE: AS NOTED
VERTICAL: -

RELEASED FOR CONSTRUCTION: DATE

ENGINEER'S SEAL

PRELIMINARY
NOT FOR CONSTRUCTION

CONSULTANT DRAWING NO.
S-505

Winnipeg

THE CITY OF WINNIPEG
WATER AND WASTE DEPARTMENT

PROJECT TITLE
COCKBURN AND CALROSSIE COMBINED
SEWER RELIEF WORKS - CONTRACT 5

STRUCTURAL
CROSSING PIPE DETAILS

SHEET OF
23 OF 25

COMPUTER FILE NAME
S-505.dwg

CITY DRAWING NUMBER
LD-8434