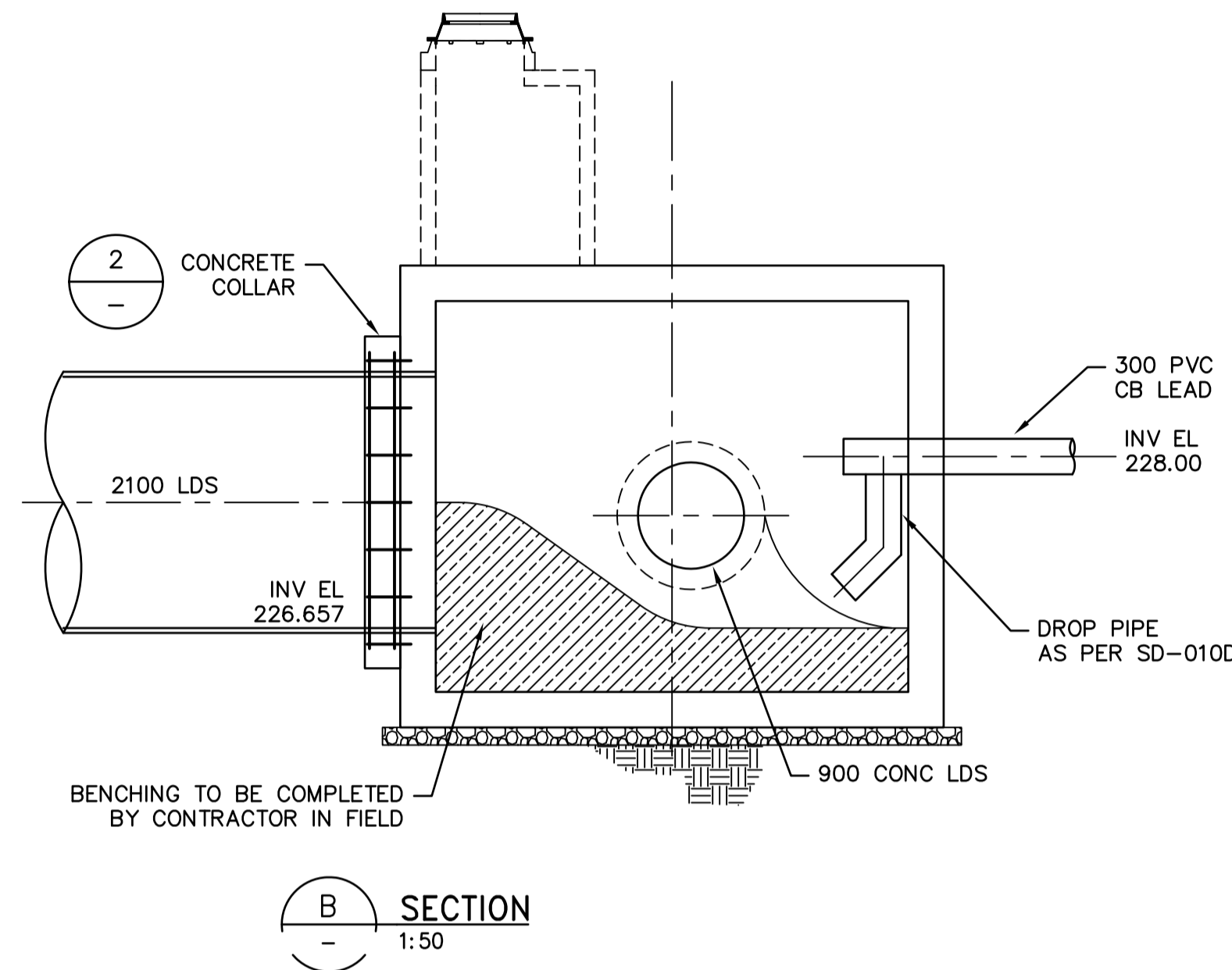
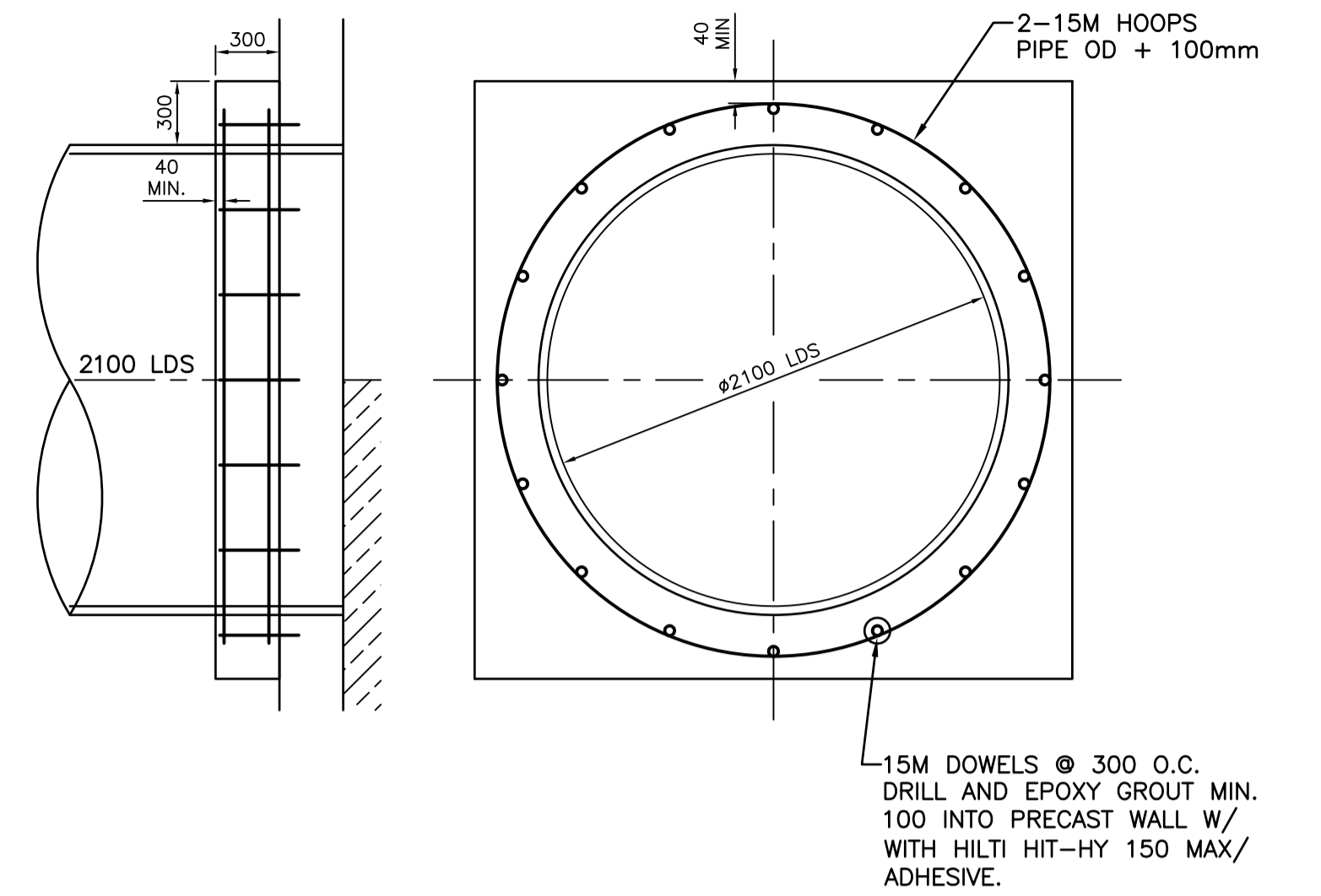


1 PLAN  
1:50



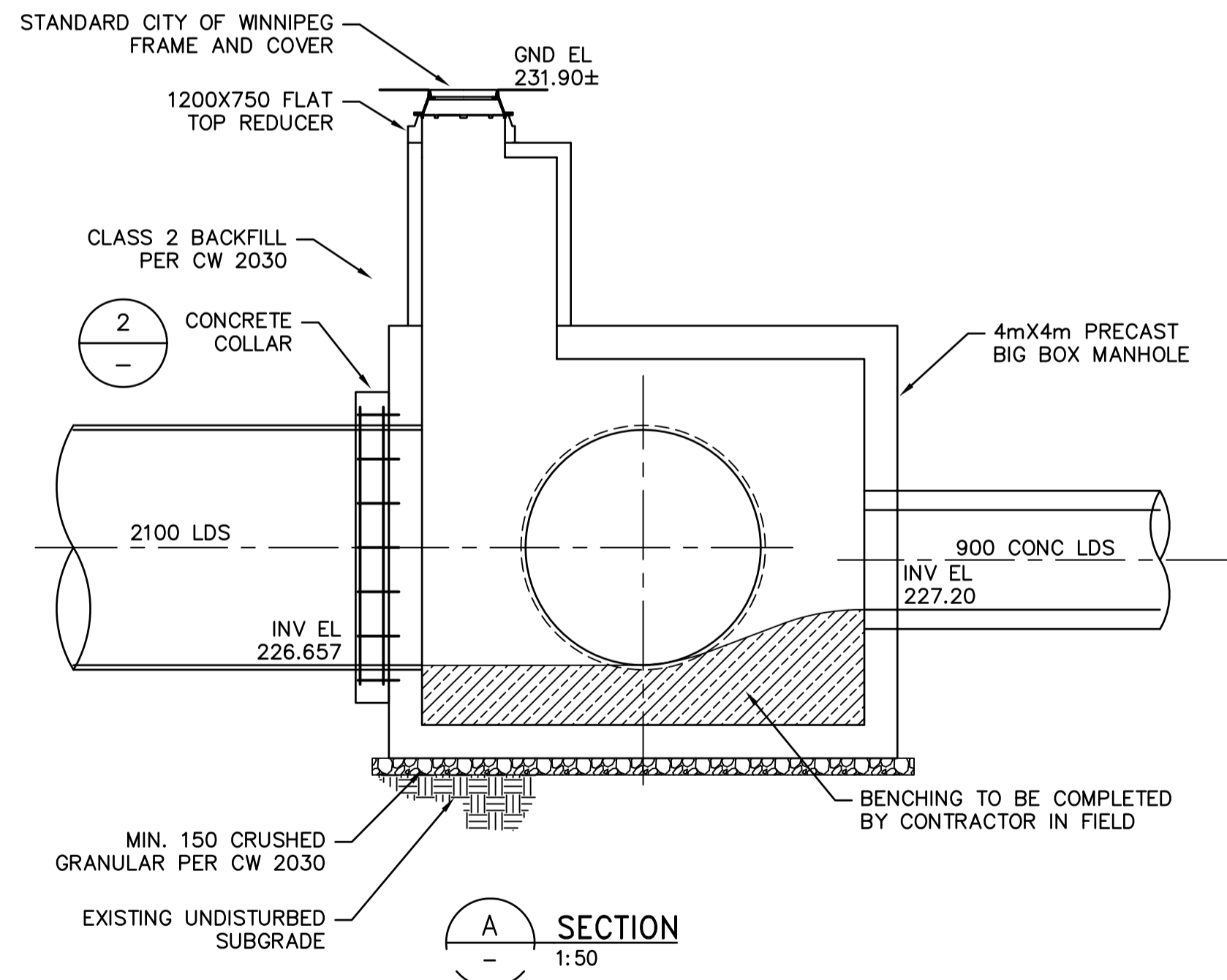
B SECTION  
1:50



2 TYPICAL COLLAR DETAIL  
1:50

CONSTRUCTION NOTES:

- SEWER AND WATER SERVICES SHOWN ON DRAWING ARE APPROXIMATE ONLY.
- LOCATION OF ALL SEWER AND WATER LINES TO BE CONFIRMED IN FIELD.
- INSTALL NEW SEWER BY TRENCHLESS METHODS, UNLESS OTHERWISE NOTED.
- TRAFFIC MANAGEMENT PLAN TO BE IMPLEMENTED AS PER SPECIFICATIONS DURING EACH PHASE OF CONTRACT.
- CONTRACTOR TO DESIGN TEMPORARY SHORING WORKS. SEE TRAFFIC RESTRICTIONS WITHIN THE DETAIL SPECIFICATIONS FOR CONSTRAINS.



A SECTION  
1:50



B.M. ELEV.		<b>KGS GROUP</b> CONSULTING ENGINEERS	<b>ch2m.</b>	ENGINEER'S SEAL	<b>THE CITY OF WINNIPEG</b> WATER AND WASTE DEPARTMENT 	PROJECT TITLE <b>COCKBURN AND CALROSSIE COMBINED SEWER RELIEF WORKS - CONTRACT 5</b>	SHEET OF <b>25 OF 25</b>
				DESIGNED BY CB			
		DRAWN BY JBC	APPROVED BY	CONSULTANT DRAWING NO. S-511	<b>STRUCTURAL</b> <b>MANHOLE CHAMBER MH-44</b> <b>DETAILS</b>	CITY DRAWING NUMBER LD-8436	
B	ISSUED FOR RFQ	11/2017	JBC				HOR. SCALE: AS NOTED
A	ISSUED FOR REVIEW	10/2017	JBC	VERTICAL: -	DATE		
NO.	REVISIONS	DATE	BY	DATE	DATE		

File name C:\pw\_work\air\ch2mhill\_wbg\_jcortez\0436659\