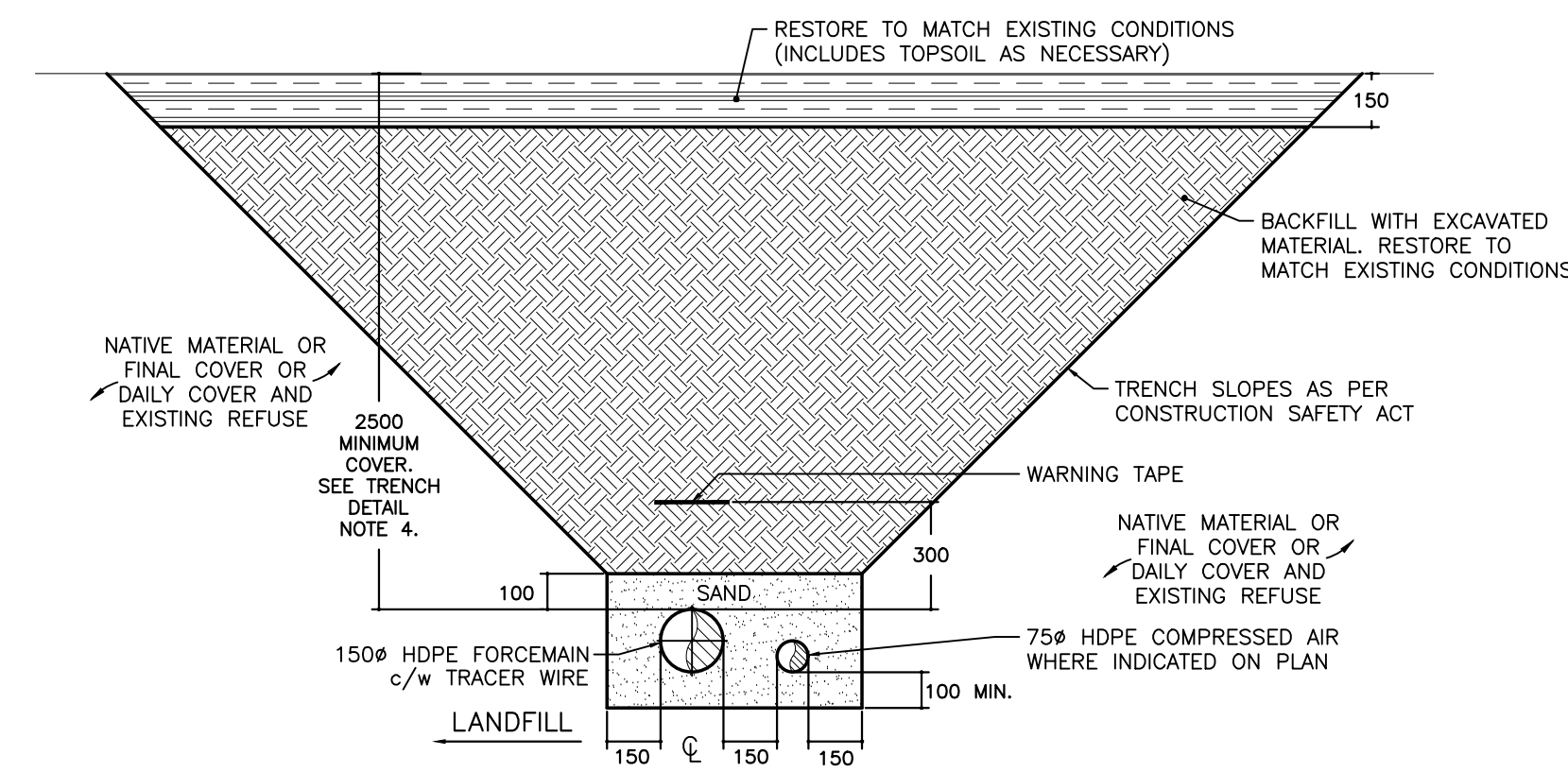
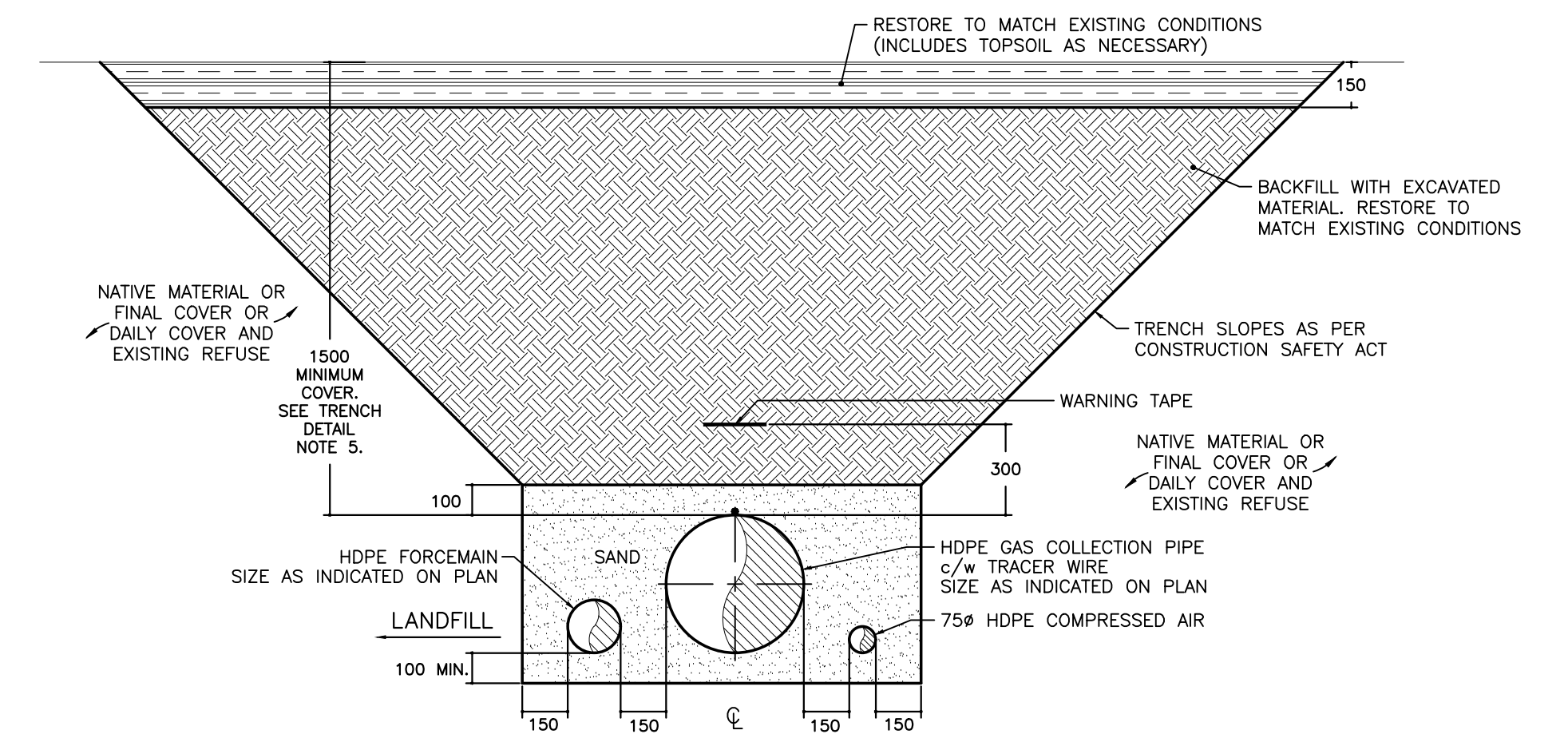


ONE (1) PIPE TRENCH - NOT APPLICABLE FOR FORCEMAIN PIPING W1301-1
SEE SCALE BAR



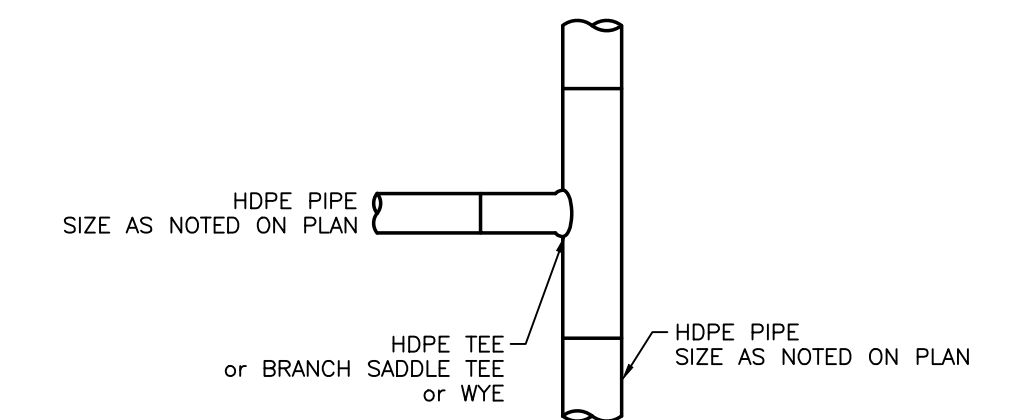
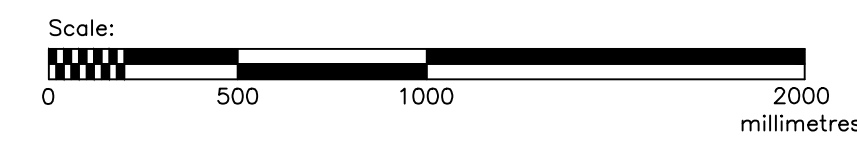
150mm FORCEMAIN PIPING TRENCH DETAIL W1301-2
SEE SCALE BAR



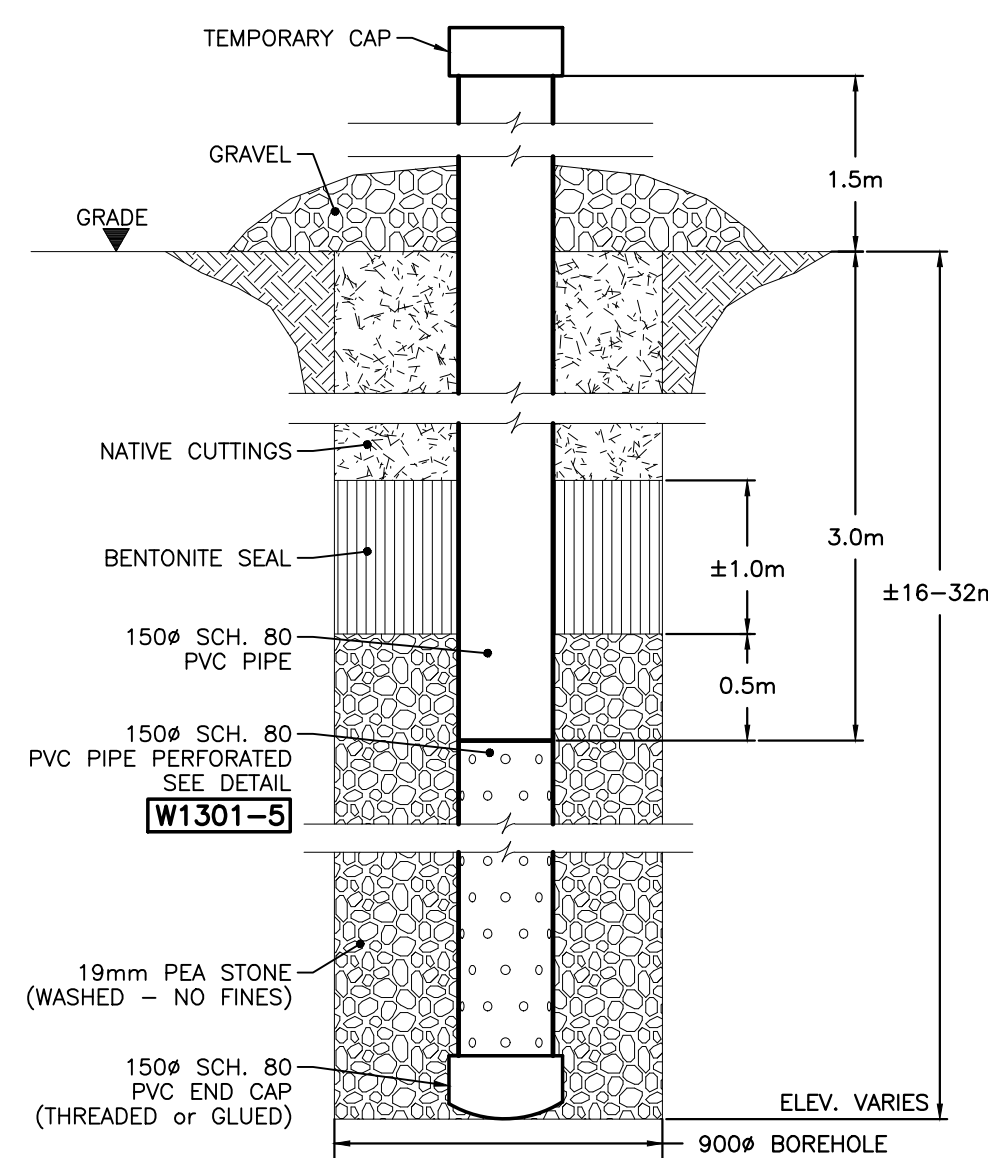
THREE (3) PIPE TRENCH W1301-3
SEE SCALE BAR

TRENCH DETAIL NOTES:

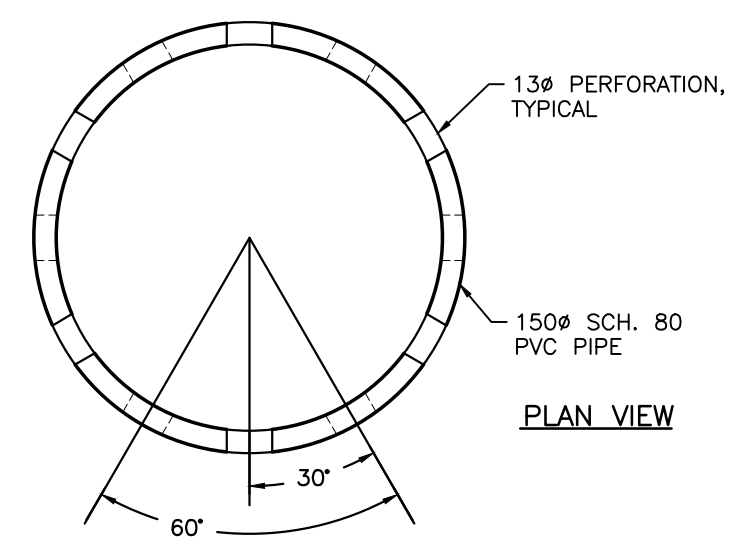
1. THIS CONTRACTOR IS RESPONSIBLE FOR THE REPAIR OF ANY EXISTING SUBSURFACE PIPING DAMAGED DURING THE INSTALLATION OF NEW PIPING.
2. WHERE ENCOUNTERED, RE-COMPACT CLAY COVER TO 95% S.P.D.
3. SAND PIPE BEDDING EXCEPT AT ALL ROAD CROSSINGS WHERE PIPE BEDDING TO BE UNSHRINKABLE FILL. FILL TO EXTEND 2m PAST ROAD EDGES.
4. TRENCHES CONTAINING FORCEMAIN PIPING BUT NOT LANDFILL GAS PIPING MUST BE INSTALLED TO MAINTAIN A MINIMUM COVER OF 2.5m, BUT DO NOT NEED TO BE SLOPED UNLESS NOTED OTHERWISE.
5. IN TRENCHES CONTAINING LANDFILL GAS, FORCEMAIN AND COMPRESSED AIR PIPING, INSULATE FORCEMAIN PIPING WHEN LESS THAN 2.0m BELOW GROUND SURFACE.



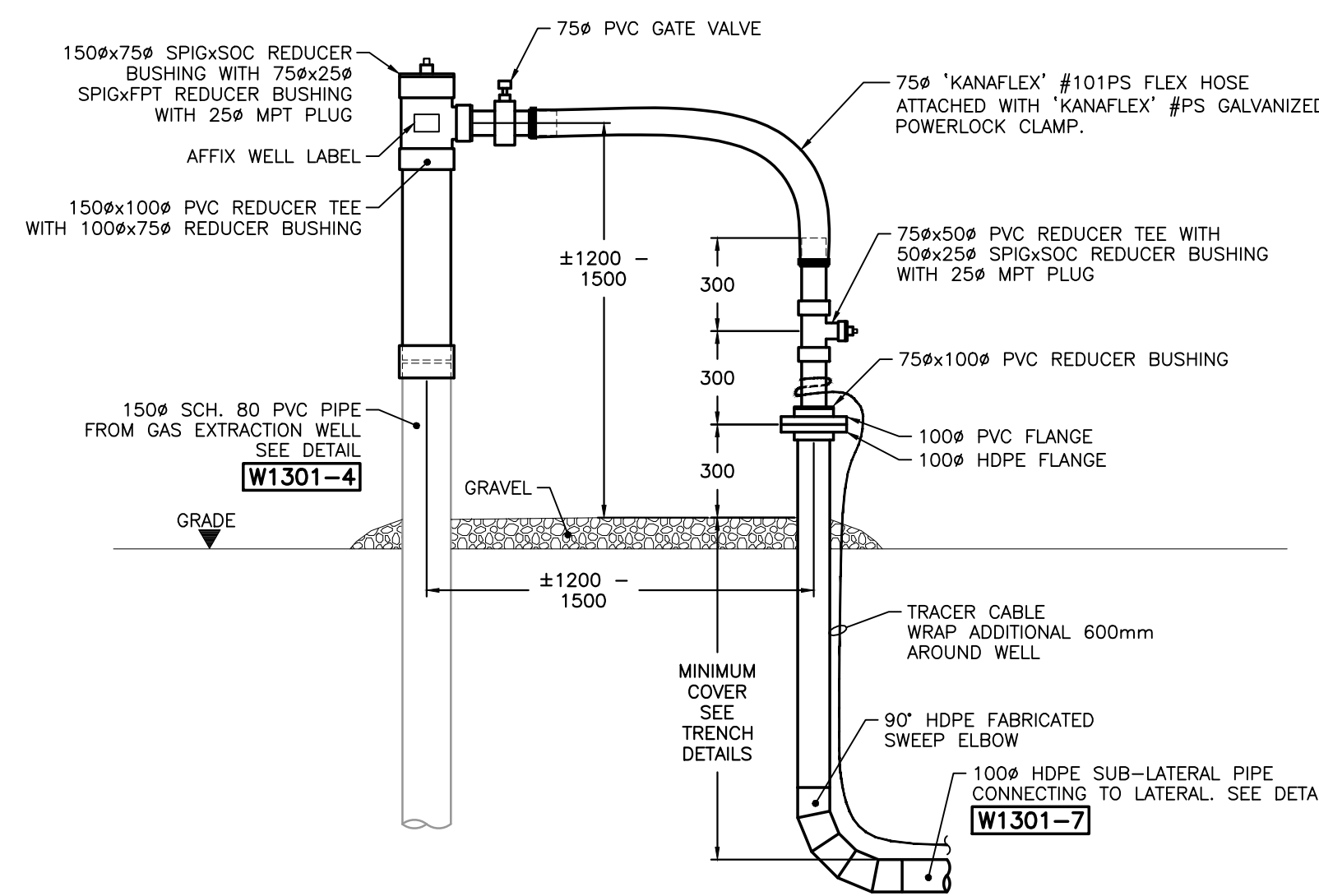
TYPICAL HDPE PIPE CONNECTION W1301-7
SEE SCALE BAR



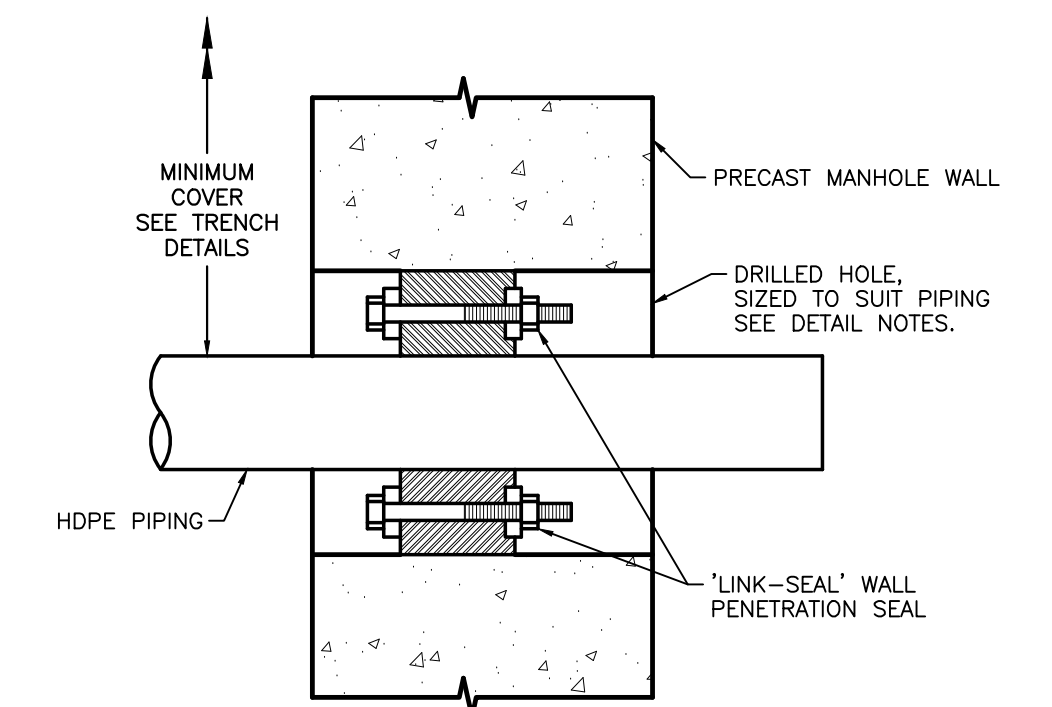
LANDFILL GAS EXTRACTION WELL INSTALLATION W1301-4
Not to Scale



PIPING PERFORATION DETAIL W1301-5
Not to Scale



TYPICAL LANDFILL GAS EXTRACTION WELL VALVE AND MONITORING PORT ASSEMBLY W1301-6
SEE SCALE BAR



PIPE PENETRATION INTO CHAMBER DETAIL W1301-8
Not to Scale

NO.	REVISION	DATE	BY
1	ISSUED FOR APPROVAL	Jan. 23, 2017	JDP
2	ISSUED FOR APPROVAL - REVISED	Jan. 30, 2017	JDP
3	ISSUED FOR TENDER	Mar. 20, 2017	JDP

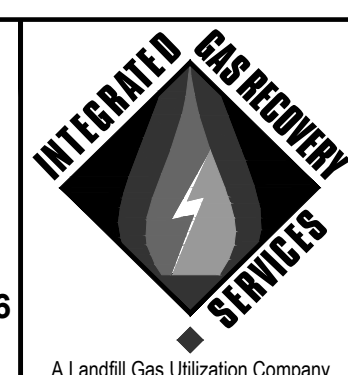
NOTES:
 1. ALL DIMENSIONS ARE IN MILLIMETRES UNLESS NOTED OTHERWISE.
 2. ALL PIPE SIZES ARE IPS UNLESS NOTED OTHERWISE.
 3. ALL HDPE GAS COLLECTION PIPING IS DR11.
 4. ALL HDPE COMPRESSED AIR & FORCEMAIN PIPING IS DR11.
 5. ALL PVC PIPING IS SCHEDULE 80.
 6. PROVIDE SHOP DRAWINGS FOR APPROVAL OF THE ENGINEER PRIOR TO FABRICATION OR CONSTRUCTION.

MAPEGM
 Certificate of Authorization
 Comcor Environmental Limited
 No. 4454 Date: MAR 20, 2017

MAGDITSCH
 Member
 31850
 REGISTERED PROFESSIONAL ENGINEER

PROJECT NUMBER: 9-508
 DATE: JANUARY, 2017
 SCALE: SEE SCALE BAR
 DESIGNED BY: JDP
 DRAWN BY: JDP
 CHECKED BY: AEM

COMCOR
 ENVIRONMENTAL LIMITED
 Consulting Engineers and Landfill Gas Specialists
 320 Pinebush Road, Suite 12, Cambridge, Ontario N1T 1Z6
 tel (519) 621-6669 • fax (519) 621-9944



City of Winnipeg
 Brady Road
 Resource Management
 Facility

2017 LANDFILL GAS
 COLLECTION SYSTEM EXPANSION
 CITY DRAWING NO. 1-0400A-D0010-001 COMCOR DRAWING NO. W1301
 TRENCH & SYSTEM DETAILS