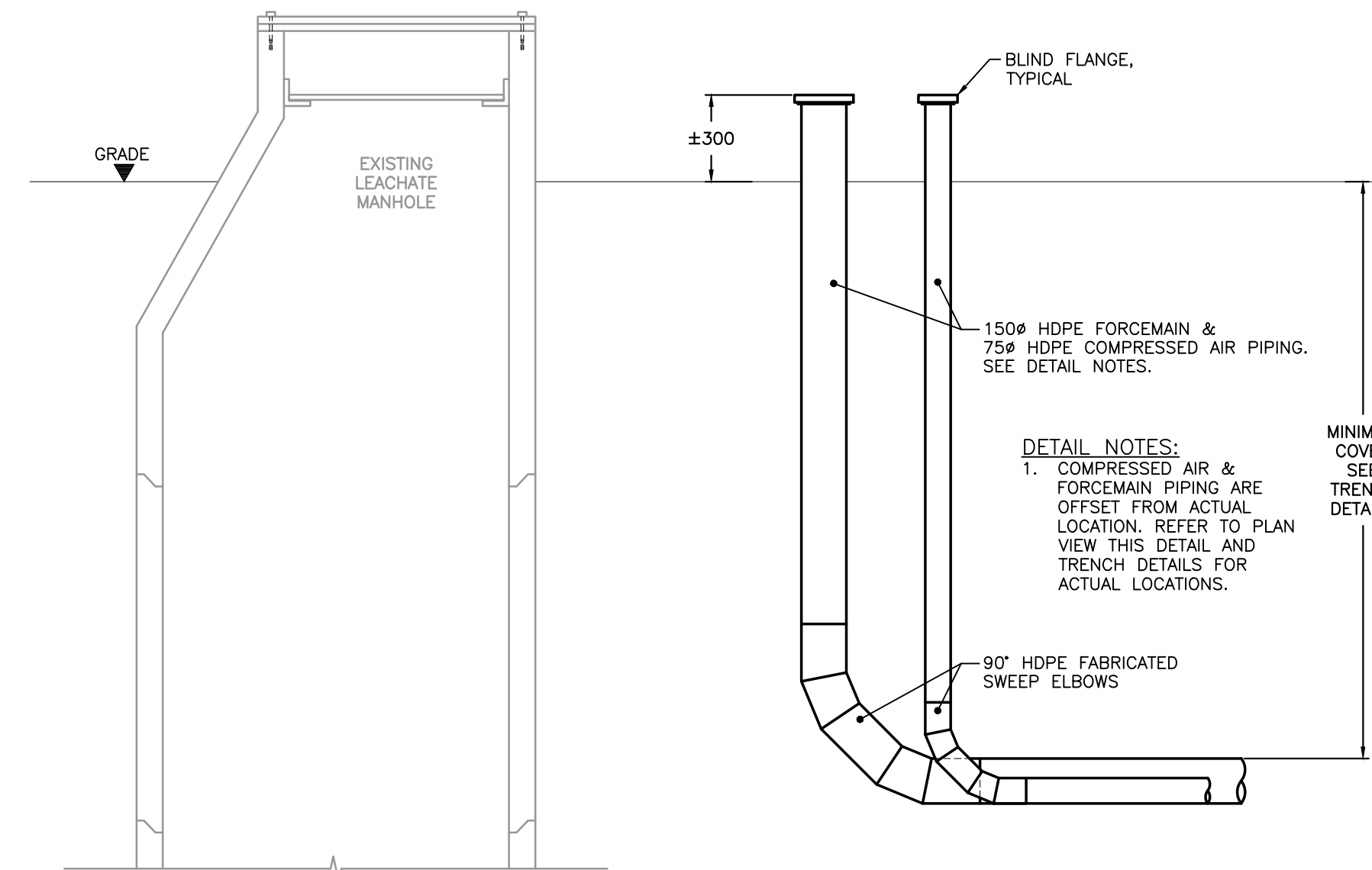
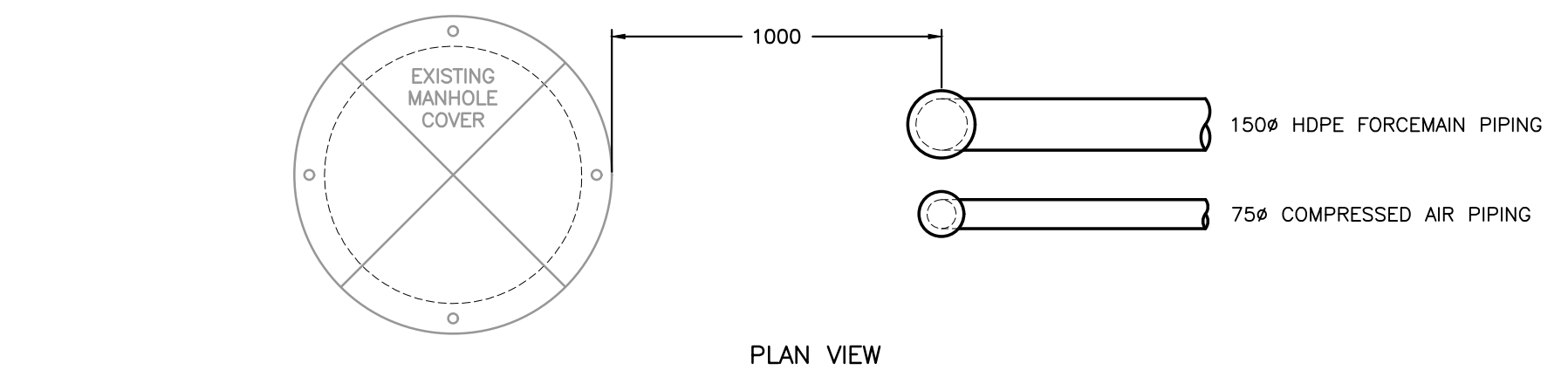


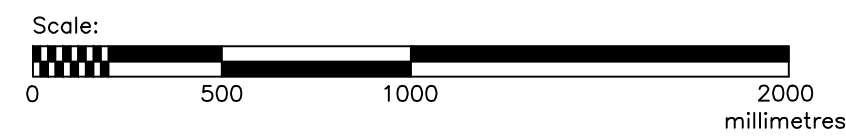
TYPICAL FLOW CONTROL ASSEMBLY (FC) DETAIL

W1302-1



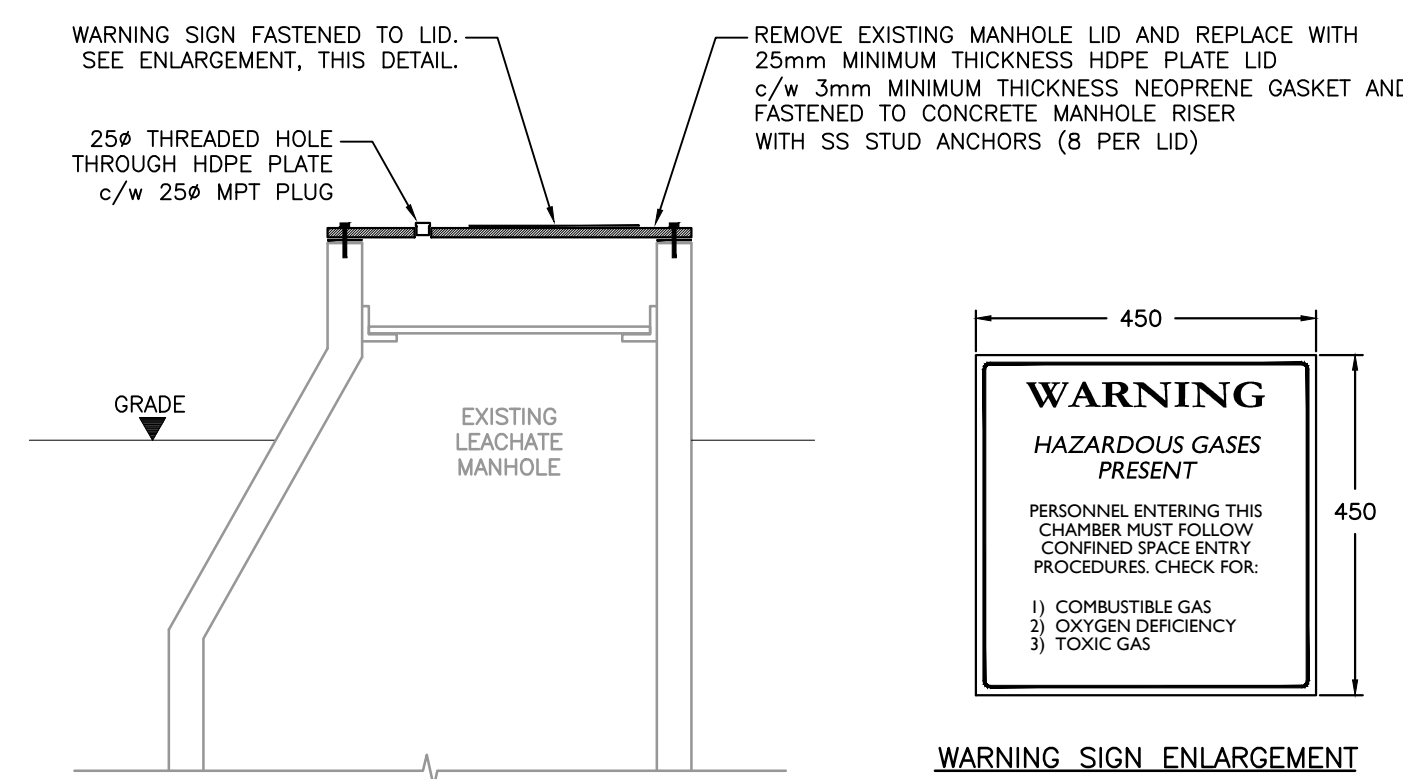
TYPICAL FORCEMAIN AND COMPRESSED AIR PIPING TERMINATIONS

W1302-2



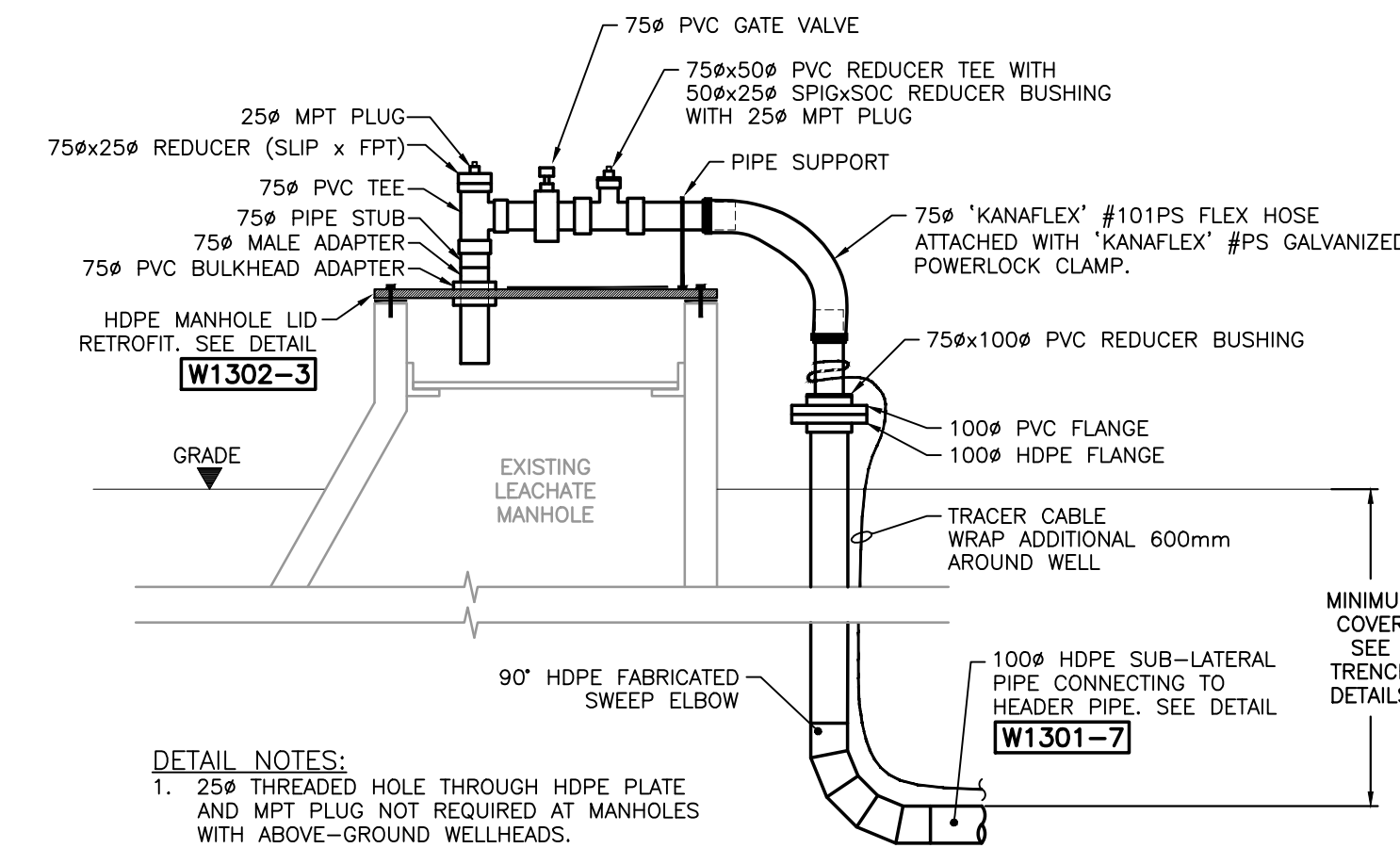
MANHOLE DETAIL NOTES:
1. CONTRACTOR TO VERIFY MANHOLE SIZES ON SITE AND SUPPLY AND INSTALL HDPE LIDS, PARTS AND ACCESSORIES TO SUIT.

MANHOLE WORK SCHEDULE					
MANHOLE	W1301-8	W1302-2	W1302-3	W1302-4	W1303-1
MH7	✓		✓		✓
MH43	✓		✓		
MH9			✓		
MH10			✓		
MH11			✓		
MH12			✓		
MH13	✓				
MH14			✓		
MH15		✓	✓		
MH16		✓	✓	✓	
MH17			✓		
MH18		✓	✓		
MH19			✓	✓	
MH20			✓		
MH21		✓	✓		
MH22	✓			✓	✓
MH23			✓		
MH24		✓			
MH25	✓		✓	✓	✓



TYPICAL HDPE MANHOLE LID RETROFIT

W1302-3



TYPICAL ABOVE-GROUND WELLHEAD AT LEACHATE MANHOLE

W1302-4

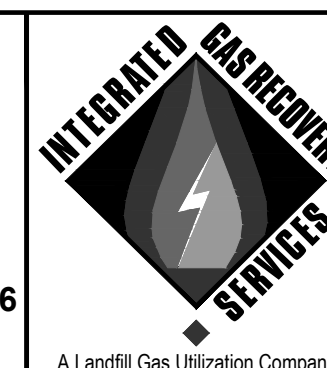
NO.	REVISION	DATE	BY
1	ISSUED FOR APPROVAL	Jan. 23, 2017	JDP
2	ISSUED FOR APPROVAL - REVISED	Jan. 30, 2017	JDP
3	ISSUED FOR TENDER	Mar. 20, 2017	JDP

NOTES:
1. ALL DIMENSIONS ARE IN MILLIMETRES UNLESS NOTED OTHERWISE.
2. ALL PIPE SIZES ARE IPS UNLESS NOTED OTHERWISE.
3. ALL HDPE GAS COLLECTION PIPING IS DR17.
4. ALL HDPE COMPRESSED AIR & FORCEMAIN PIPING IS DR11.
5. ALL PVC PIPING IS SCHEDULE 80.
6. PROVIDE SHOP DRAWINGS FOR APPROVAL OF THE ENGINEER PRIOR TO FABRICATION OR CONSTRUCTION.



PROJECT NUMBER: 9-508
DATE: JANUARY, 2017
SCALE: SEE SCALE BAR
DESIGNED BY: JDP
DRAWN BY: JDP
CHECKED BY: AEM

COMCOR
ENVIRONMENTAL LIMITED
Consulting Engineers and Landfill Gas Specialists
320 Pinebush Road, Suite 12, Cambridge, Ontario N1T 1Z6
tel (519) 621-6669 • fax (519) 621-9944



2017 LANDFILL GAS COLLECTION SYSTEM EXPANSION
CITY DRAWING NO. 1-0400A-D0011-001 COMCOR DRAWING NO. W1302
SYSTEM DETAILS