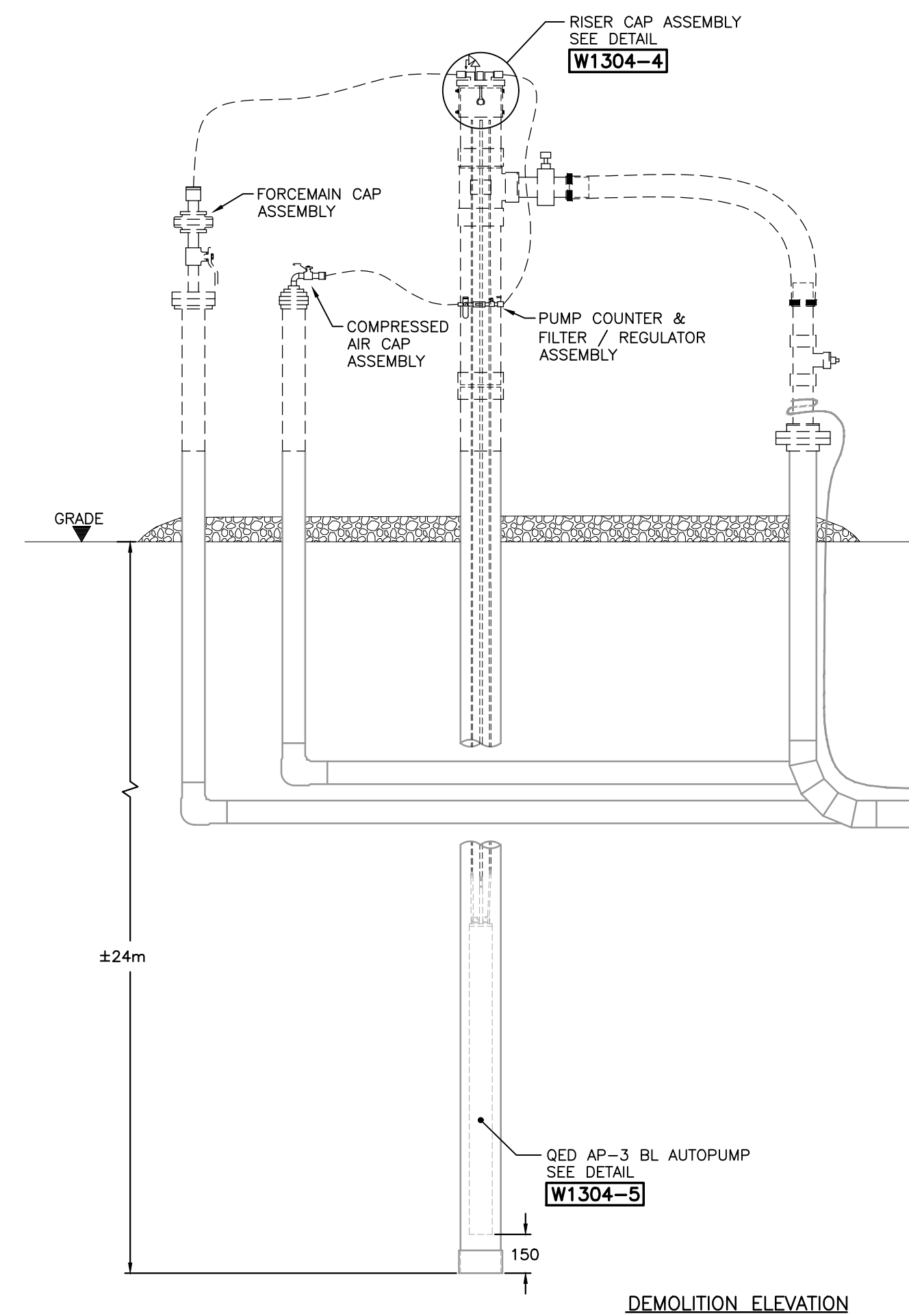
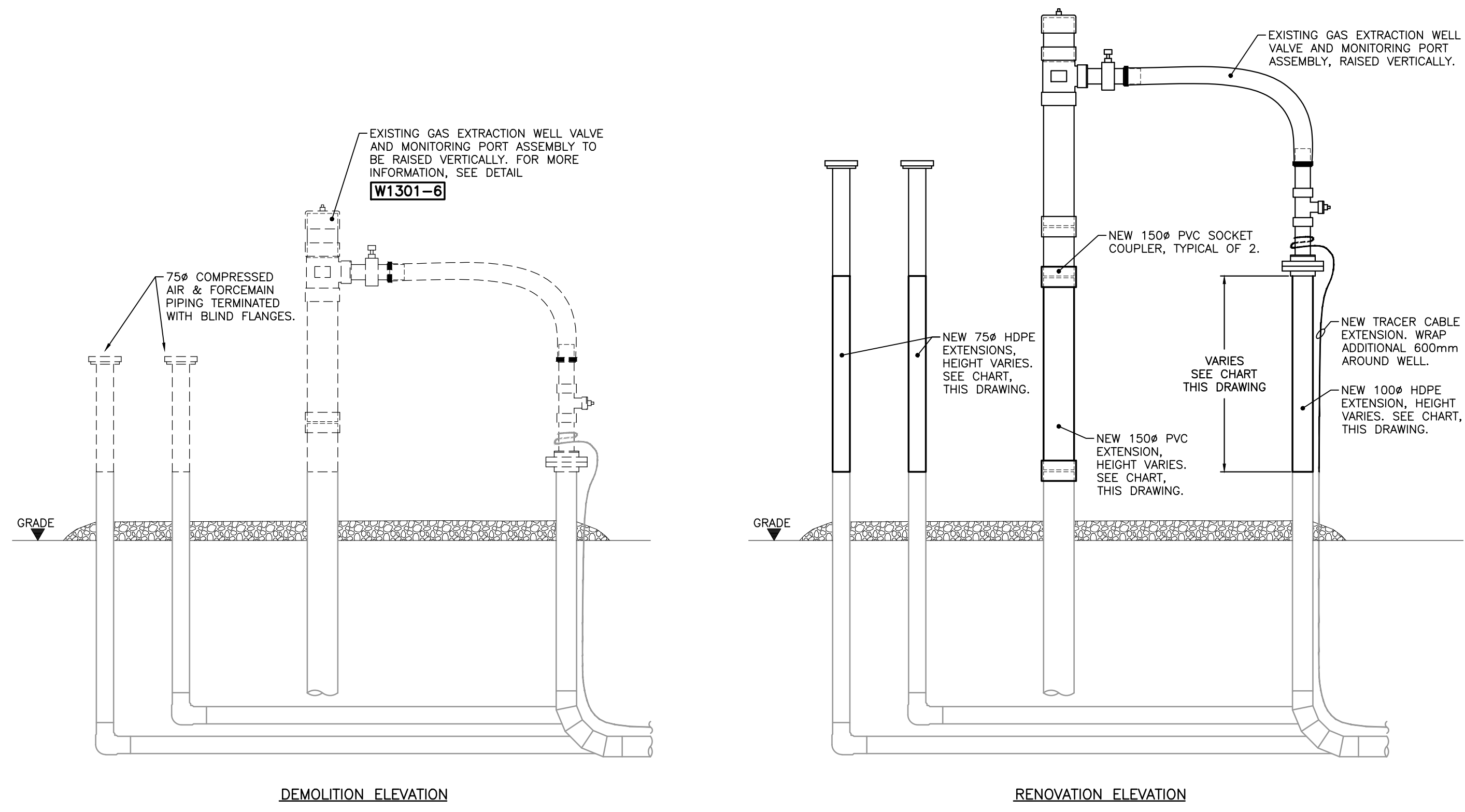


WELL	DETAIL	RAISED HEIGHT (m)
2-13	W1304-1	3.8
3-22	W1304-1	3.9
3-23	W1304-1	2.5
3-24	W1304-1	0.8
3-25P	W1304-2	2.4
3-27DP	W1304-3	2.2
4-33	W1304-1	1.5
4-34P	W1304-2	1.1
4-36	W1304-1	2.8
5-40	W1304-1	1.3

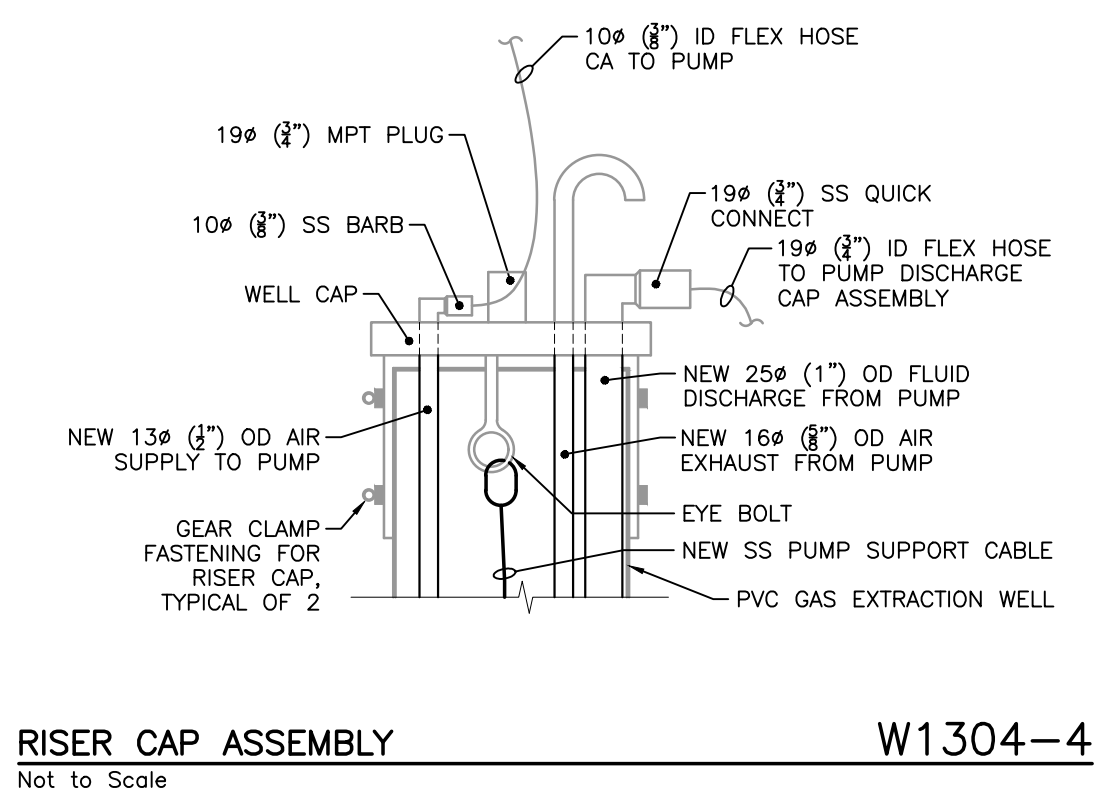


TYPICAL LANDFILL GAS EXTRACTION WELL VALVE AND MONITORING PORT ASSEMBLY RENOVATION W1304-1
SEE SCALE BAR

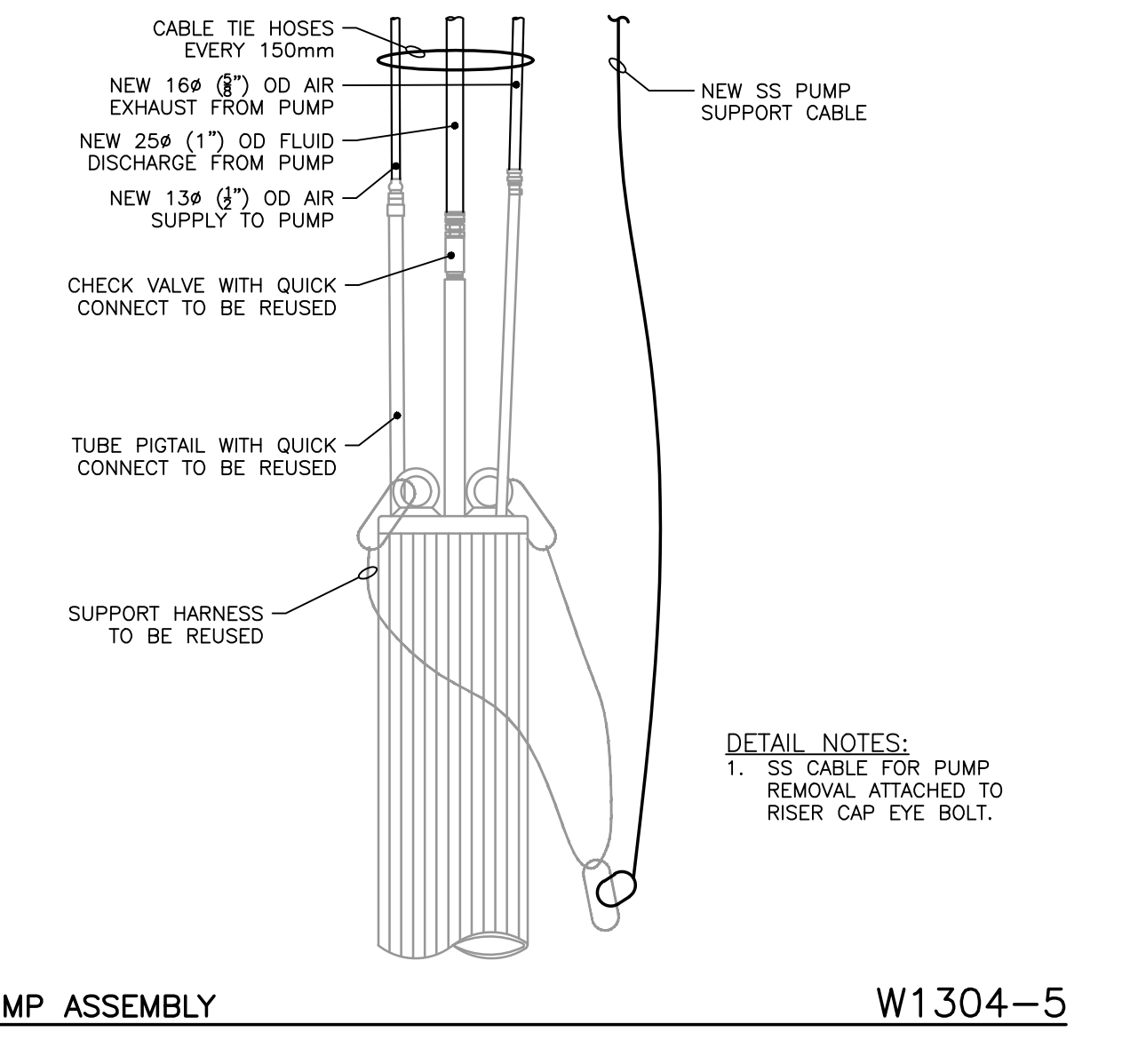
TYPICAL DUAL-PURPOSE LANDFILL GAS EXTRACTION WELL VALVE AND MONITORING PORT ASSEMBLY RENOVATION W1304-3
SEE SCALE BAR



TYPICAL LANDFILL GAS EXTRACTION WELL VALVE AND MONITORING PORT ASSEMBLY WITH COMPRESSED AIR & FORCE MAIN RENOVATION W1304-2
SEE SCALE BAR



RISER CAP ASSEMBLY W1304-4
Not to Scale



AP3-BL PUMP ASSEMBLY W1304-5
Not to Scale

DETAIL NOTES:
1. SS CABLE FOR PUMP REMOVAL ATTACHED TO RISER CAP EYE BOLT.

NO.	REVISION	DATE	BY
1	ISSUED FOR APPROVAL	Jan. 23, 2017	JDP
2	ISSUED FOR APPROVAL - REVISED	Jan. 30, 2017	JDP
3	ISSUED FOR TENDER	Mar. 20, 2017	JDP

NOTES:
1. ALL DIMENSIONS ARE IN MILLIMETRES UNLESS NOTED OTHERWISE.
2. ALL PIPE SIZES ARE IPS UNLESS NOTED OTHERWISE.
3. ALL HDPE GAS COLLECTION PIPING IS DR17.
4. ALL HDPE COMPRESSED AIR & FORCE MAIN PIPING IS DR11.
5. ALL PVC PIPING IS SCHEDULE 80.
6. PROVIDE SHOP DRAWINGS FOR APPROVAL OF THE ENGINEER PRIOR TO FABRICATION OR CONSTRUCTION.



PROJECT NUMBER: 9-508
DATE: JANUARY, 2017
SCALE: SEE SCALE BAR
DESIGNED BY: JDP
DRAWN BY: JDP
CHECKED BY: AEM

COMCOR
ENVIRONMENTAL LIMITED
Consulting Engineers and Landfill Gas Specialists
320 Pinebush Road, Suite 12, Cambridge, Ontario N1T 1Z6
tel (519) 621-6669 • fax (519) 621-9944



City of Winnipeg
Brady Road
Resource Management
Facility

2017 LANDFILL GAS COLLECTION SYSTEM EXPANSION
CITY DRAWING NO. 1-0400A-D0013-001 COMCOR DRAWING NO. W1304
EXISTING WELLHEAD RENOVATION DETAILS