

**LEGEND**

**WATERWORKS, WASTE AND DISPOSAL; UNDERGROUND UTILITIES**

PROPOSED FORCEMAIN, INTERCEPTOR OR SECONDARY SEWER ————

EXISTING FORCEMAIN, INTERCEPTOR OR SECONDARY SEWER ———— W.W.D. 24" SEWER

PROPOSED FEEDERMAIN ————

EXISTING FEEDERMAIN ———— W.W.D. 24" W.M.

W.W.D. — WATERWORKS, WASTE AND DISPOSAL

**OTHER UNDERGROUND UTILITIES**

COMMUNITY SEWER ————

COMMUNITY WATERMAIN ————

GAS ————

HYDRO DUCT ————

M.T.S. DUCT OR CABLE ————

STREET LIGHTING, RAILWAY SIGNAL OR TRAFFIC SIGNAL CABLE ————

**SURFACE UTILITIES**

COMMUNITY BOUNDARY LINE ————

FENCE LINE — X — X —

POLE LINE — ○ ○ ○ ○ —

RAILWAY LINE ————

**MISCELLANEOUS SYMBOLS**

CATCH BASIN — ○

CULVERT — [Symbol]

HYDRANT — [Symbol]

MANHOLE — ○

HYDRO OR M.T.S. POLE — [Symbol]

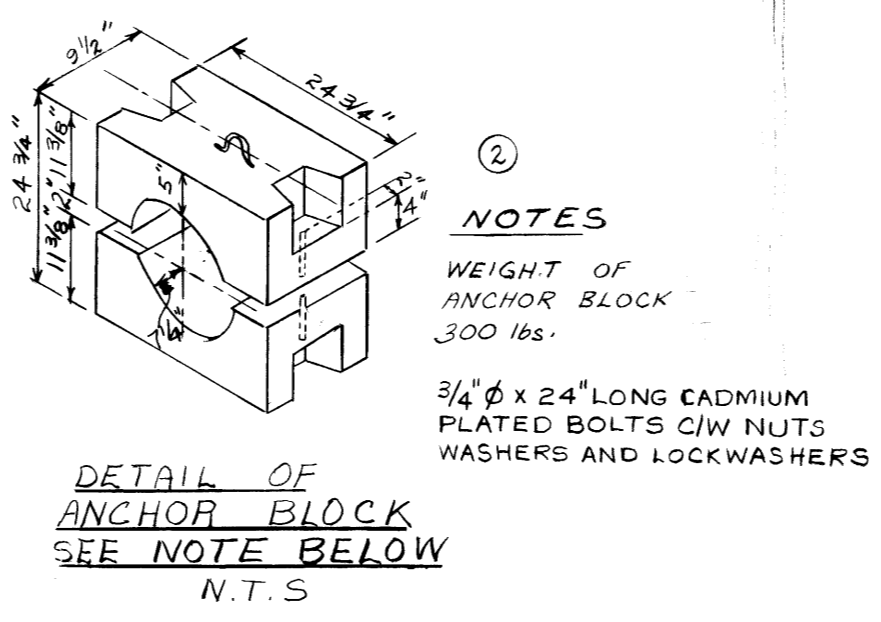
LAMP STANDARD — [Symbol]

RAILWAY OR TRAFFIC SIGNAL STANDARD — [Symbol]

SURVEY BAR — [Symbol]

TREE — [Symbol]

VALVE — [Symbol]



**NOTES**

- RIVER CROSSING X-SECTION REMOVED
- ANCHOR BLOCK DIM. CHANGED, NOTE ADDED
- SITE PLAN REVISED
- NOTE - PIPE ALIGNMENT
- SUMMER WATER LEVEL ADDED
- SERIES 80 CHANGED TO 60
- REVISED TO AS BUILT

NO.	DESCRIPTION	DATE	BY
1	RIVER CROSSING X-SECTION REMOVED	OCT 5 77	VD
2	ANCHOR BLOCK DIM. CHANGED, NOTE ADDED	OCT 6 77	VD
3	SITE PLAN REVISED	OCT 6 77	VD
4	NOTE - PIPE ALIGNMENT	OCT 6 77	VD
5	SUMMER WATER LEVEL ADDED	OCT 6 77	VD
6	SERIES 80 CHANGED TO 60	OCT 6 77	VD
7	REVISED TO AS BUILT	AUG 18 78	VD

**REVISIONS**

FIELD BOOK(S) NO. F 972	SURVEYED BY R. THPLIN
LAND SURVEY PLAN(S) NO.	DATE Nov. 1, 1976
B. M. GEO. B. N. 12-005	

**The City of Winnipeg**  
Waterworks, Waste and Disposal Division

ENGINEERING BRANCH  
WASTE DISPOSAL

**NEWTON RIVER X-ING**  
PLAN PROFILE

DESIGNED BY B. BRICK	DRAWN BY V. DUMORE
CHECKED BY [Signature]	DATE JUNE 1977
APPROVED BY [Signature]	
SCALE HOR. 1" = 40' VERT. 1" = 4'	DRAWING NO. 911

file # MS 10641

MICROFILMED, MAY 11 1985