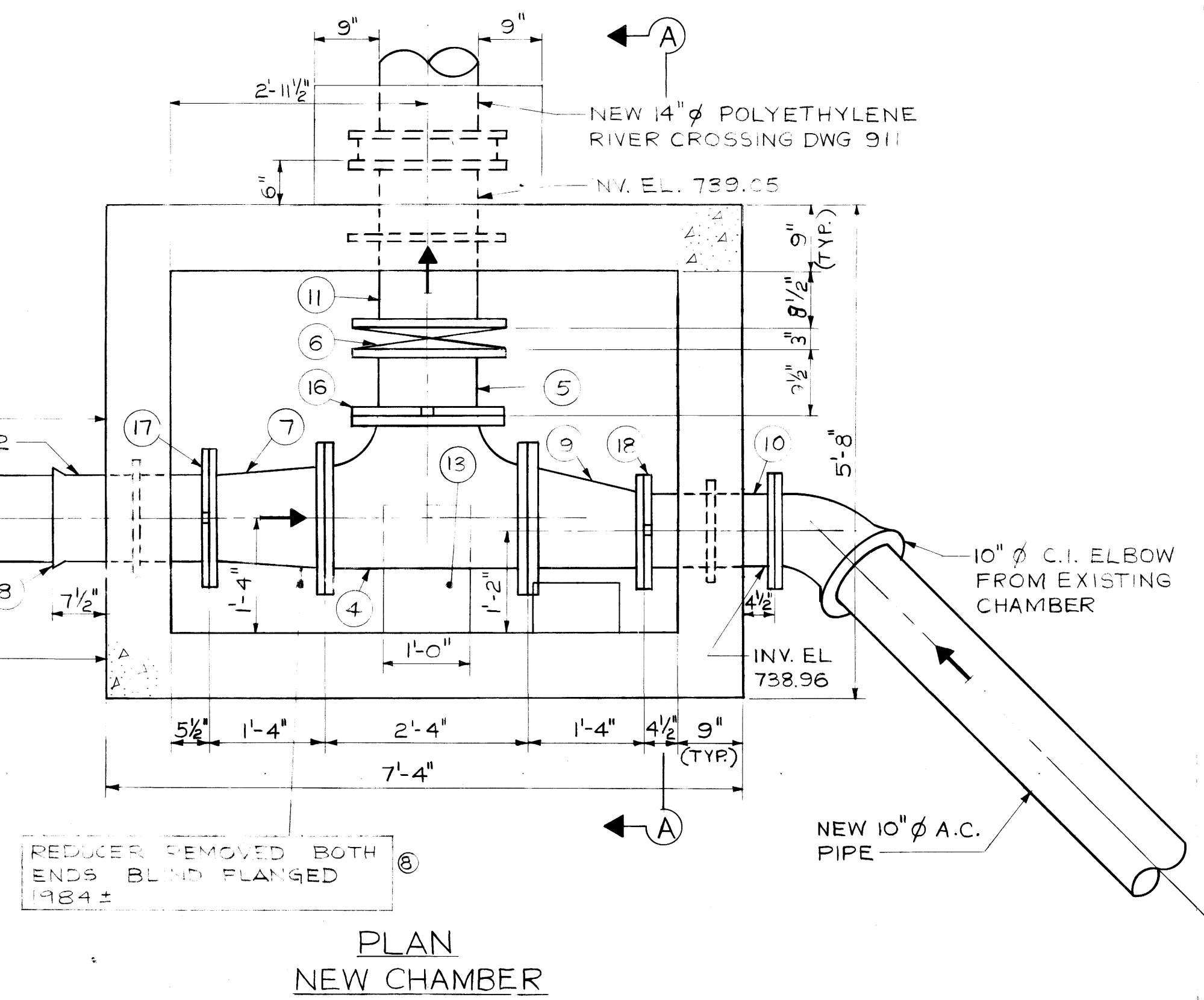
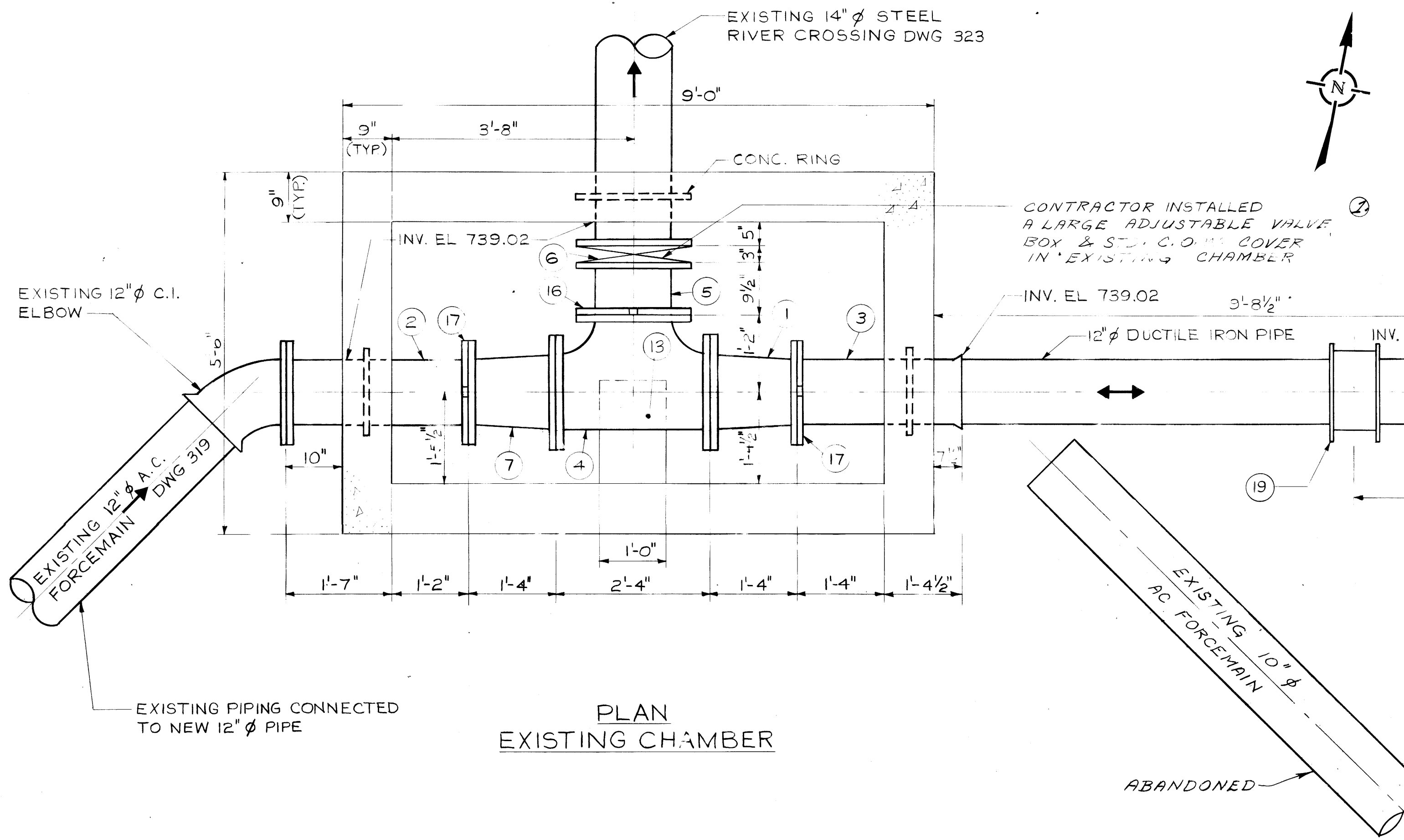
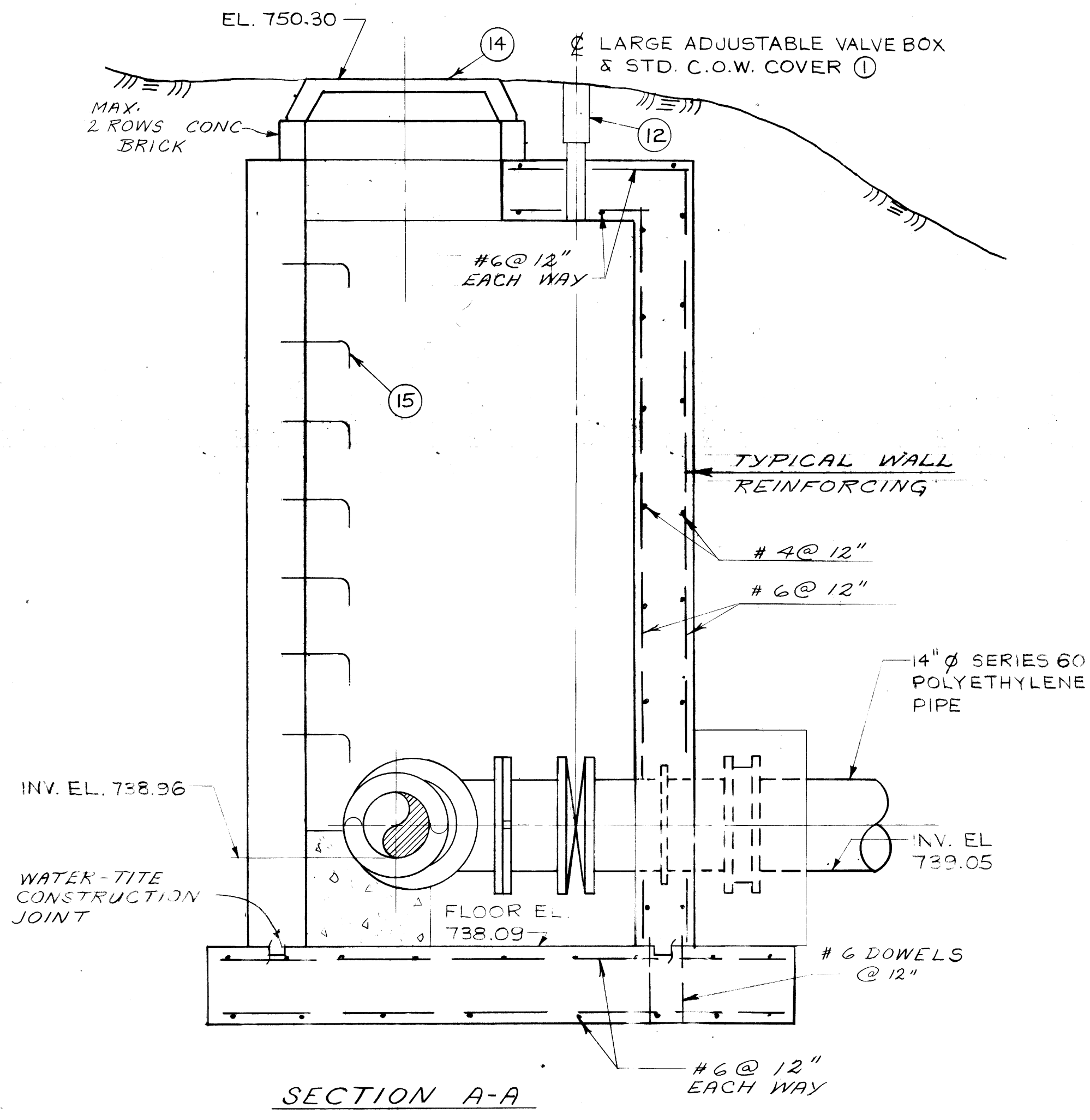
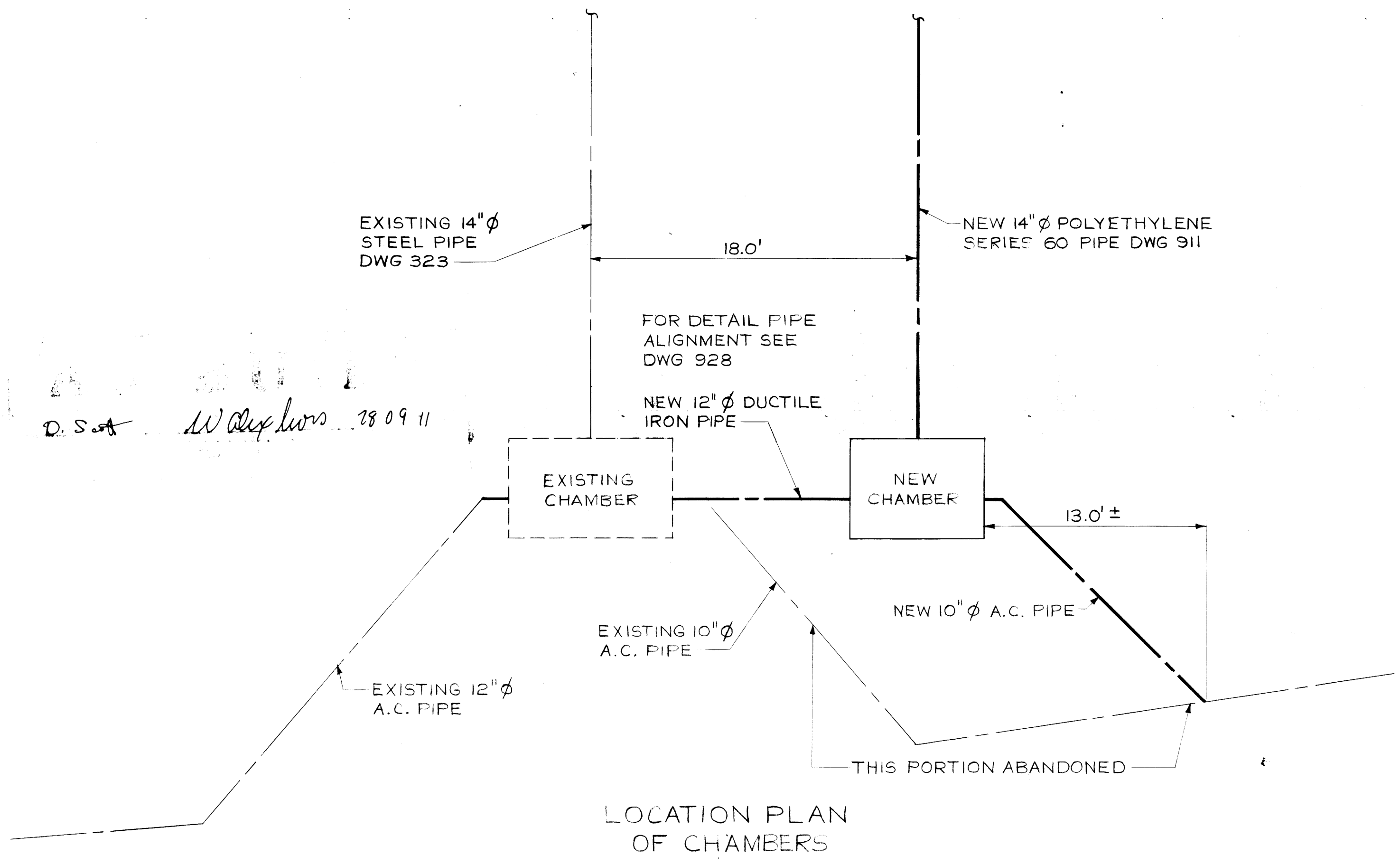


913



LIST OF MATERIAL

Item	Description	Length	Quantity
1	14"x12" Eccentric reducer flg. to vict.	1'-4"	1
2	12" ϕ wall piece c/w conc. ring flg to vict.	2'-9"	1
3	12" ϕ wall piece c/w conc. ring bell to vict.	2'-6"	1
4	14"x14"x14" Tee vict to vict to vict	2'-4"	2
5	14" Short pipe vict to flg.	0'-9 1/2"	2
6	14" Dezurik knife gate valve	0'-3"	2
7	14"x12" Concentric reducer flg. to vict.	1'-4"	2
8	12" ϕ Wall piece c/w conc. ring bell to vict.	1'-6"	1
9	14"x10" Eccentric reducer flg. to vict.	1'-4"	1
10	10" ϕ Wall piece c/w conc. ring flg. to vict.	1'-6"	1
11	14" ϕ Wall piece c/w conc. ring flg. to flg.	1'-11"	1
12	Valve box	-	2
13	Poured in place concrete saddle	-	2
14	Standard City of Wpg M.H. frame and cover	-	1
15	Standard City of Wpg M.H. steps	-	-
16	14" Adapter flange vict style 341	-	2
17	12" Adapter flange vict style 341	-	3
18	10" Adapter flange vict style 341	-	1
19	12" Robor coupling Style BT-8T	-	1



NOTE:
1. ALL PIPE AND FITTINGS IN EXISTING AND NEW CHAMBERS ARE CAST IRON.

ADDED NOTE

NO.	DESCRIPTION	DATE	BY
⑥	ADDED NOTE	JAN 92	EN
⑦	REVISED TO AS BUILT	AUG 18 78	BT
⑧	NOTE ADDED - VICT. ADAPTER FLG	OCT 77	V.D.
⑨	DIMENSIONS CHANGED PROPOSED PIT	OCT 77	V.D.
④	SERIES 80 CHANGED TO 60	OCT 67	BB
③	ITEMS 9, 11, 12, CHANGED	OCT 67	VD
②	STYLE 77 CHANGED TO STYLE 31	OCT 57	VD
①	LARGE ADJ. VALVE BOXES ADDED	OCT 57	VD

REVISIONS

NO.	DESCRIPTION	DATE	BY
⑥	ADDED NOTE	JAN 92	EN

The City of Winnipeg
Waterworks, Waste and Disposal Division

ENGINEERING BRANCH
WASTE DISPOSAL

NEWTON RIVER X-ING
VALVE CHAMBER
DETAILS

DESIGNED BY	DRAWN BY
B. BRICK	V. DUMORE
CHECKED BY	DATE
<i>[Signature]</i>	JUNE 1977
APPROVED BY	
<i>[Signature]</i>	
SCALE	DRAWING NO.
3/4" = 1'0" OR AS NOTED	913

file # IN10473

