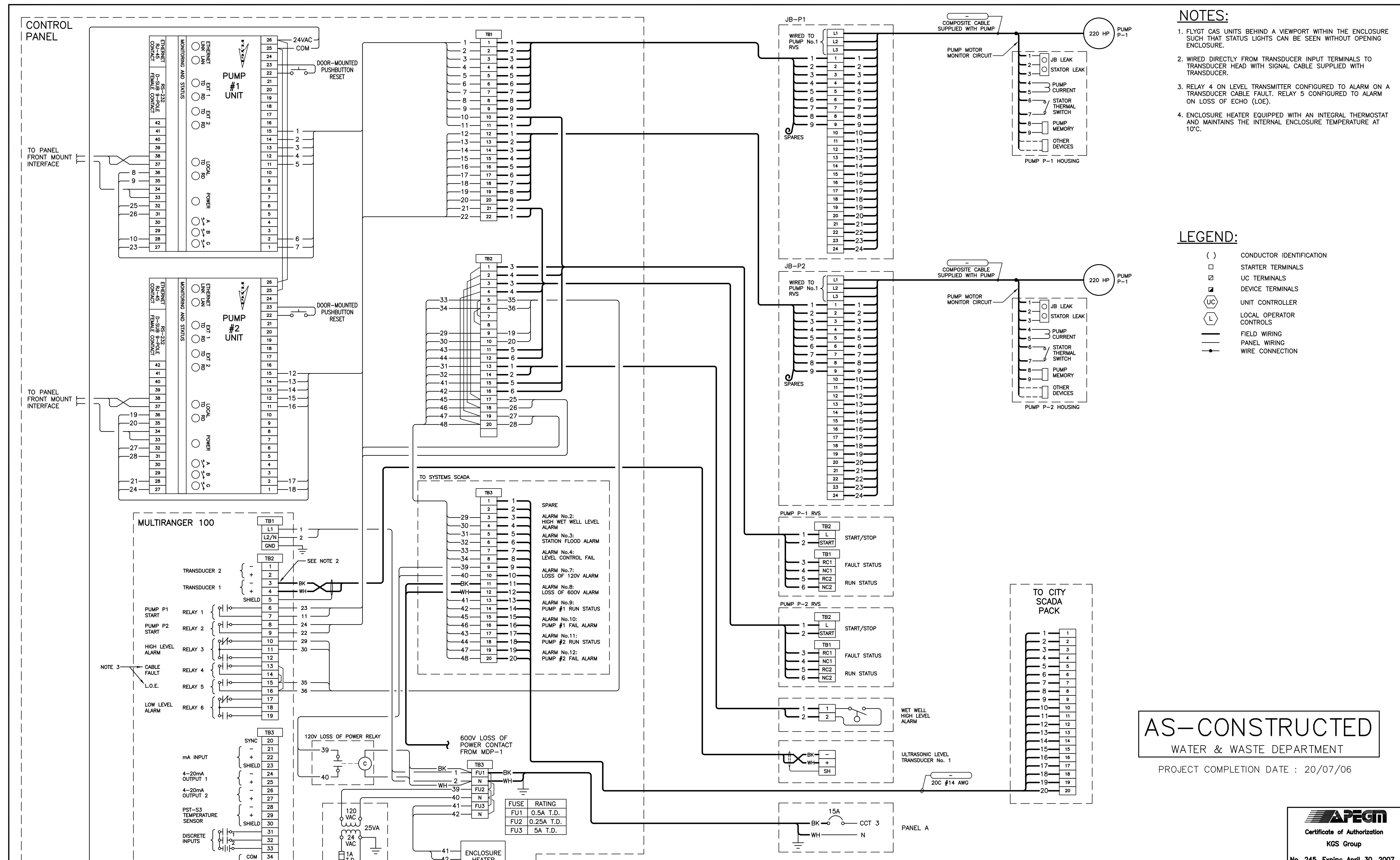


- NOTES:**
1. FLYGT GAS UNITS BEHIND A VIEWPORT WITHIN THE ENCLOSURE SUCH THAT STATUS LIGHTS CAN BE SEEN WITHOUT OPENING ENCLOSURE.
 2. WIRED DIRECTLY FROM TRANSDUCER INPUT TERMINALS TO TRANSDUCER HEAD WITH SIGNAL CABLE SUPPLIED WITH TRANSDUCER.
 3. RELAY 4 ON LEVEL TRANSMITTER CONFIGURED TO ALARM ON A TRANSDUCER CABLE FAULT. RELAY 5 CONFIGURED TO ALARM ON LOSS OF ECHO (LOE).
 4. ENCLOSURE HEATER EQUIPPED WITH AN INTEGRAL THERMOSTAT AND MAINTAINS THE INTERNAL ENCLOSURE TEMPERATURE AT 10°C.

- LEGEND:**
- () CONDUCTOR IDENTIFICATION
 - STARTER TERMINALS
 - ▣ UC TERMINALS
 - ▣ DEVICE TERMINALS
 - (UC) UNIT CONTROLLER
 - (L) LOCAL OPERATOR CONTROLS
 - FIELD WIRING
 - PANEL WIRING
 - WIRE CONNECTION



AS-CONSTRUCTED
WATER & WASTE DEPARTMENT

PROJECT COMPLETION DATE : 20/07/06



LOCATION APPROVED UNDERGROUND STRUCTURES

SUPV. U/G STRUCTURES COMMITTEE DATE

NOTE:
LOCATION OF UNDERGROUND STRUCTURES AS SHOWN ARE BASED ON THE BEST INFORMATION AVAILABLE BUT NO GUARANTEE IS GIVEN THAT ALL EXISTING UTILITIES ARE SHOWN OR THAT THE GIVEN LOCATIONS ARE EXACT. CONFIRMATION OF EXISTENCE AND EXACT LOCATION OF ALL SERVICES MUST BE OBTAINED FROM THE INDIVIDUAL UTILITIES BEFORE PROCEEDING WITH CONSTRUCTION.

NO.	REVISIONS	DATE	BY	DATE
1	ISSUED FOR CONSTRUCTION	07/12/05	AP	
2	ISSUED AS-CONSTRUCTED	02/02/07	AP	
1	ISSUED FOR PCN #1	09/02/06	AP	

KGS GROUP CONSULTING ENGINEERS & PROJECT MANAGERS

WINNIPEG (204) 896-1209
THUNDER BAY (807) 345-2233

DESIGNED BY: AP	CHECKED BY: REW
DRAWN BY: GCN	APPROVED BY:
HOR. SCALE: AS NOTED	RELEASED FOR CONSTRUCTION:
VERTICAL:	DATE: 08/11/05

ENGINEER'S SEAL

ORIGINAL DRAWING SIGNED BY
A. PAWLKIEWICH
10/04/07

CONSULTANT DRAWING NO.

THE CITY OF WINNIPEG WATER & WASTE DEPARTMENT

HAWTHORNE FLOOD PUMPING STATION UPGRADE
ELECTRICAL CONTROL INDICATION AND ALARM SCHEMATICS & WIRING DIAGRAM

SHEET **22** OF **24**
CAD FILE DRAWING NUMBER
CITY DRAWING NUMBER **LD-3259**

CONVEGEND