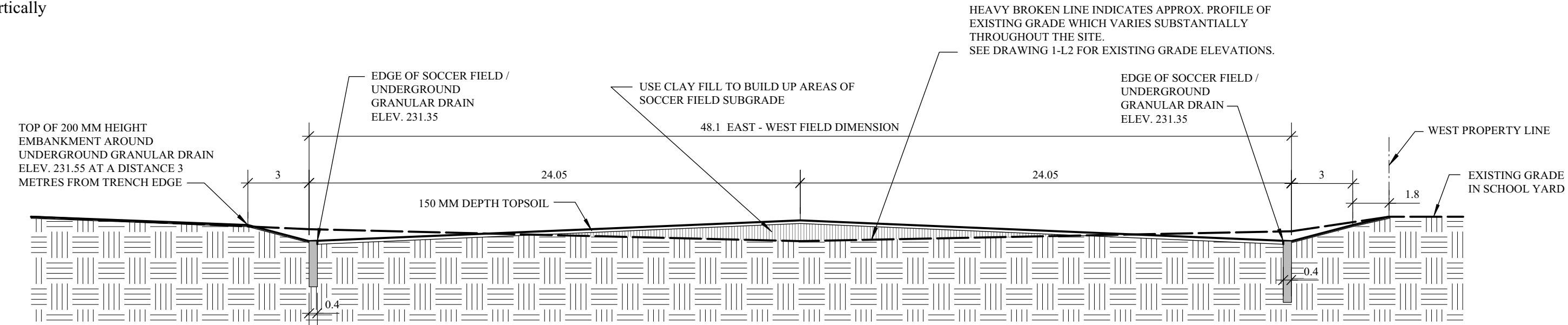
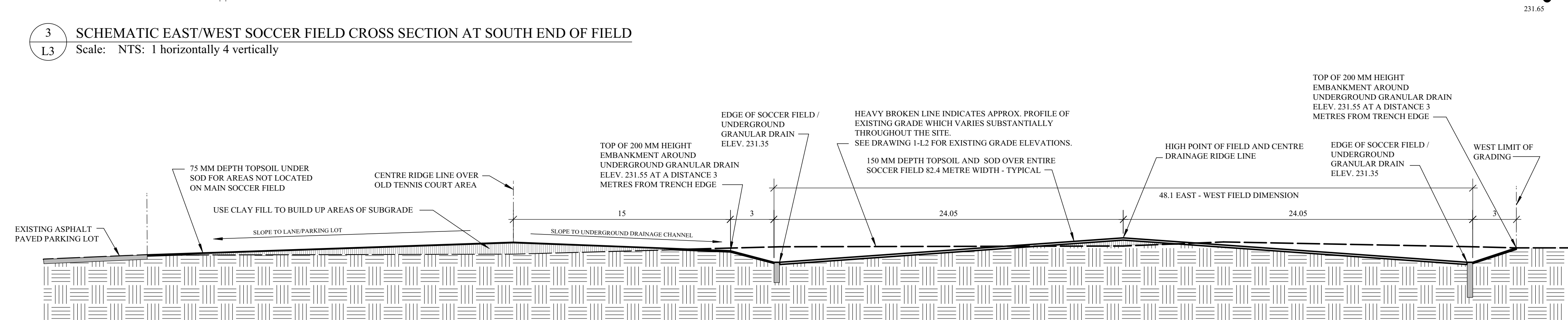


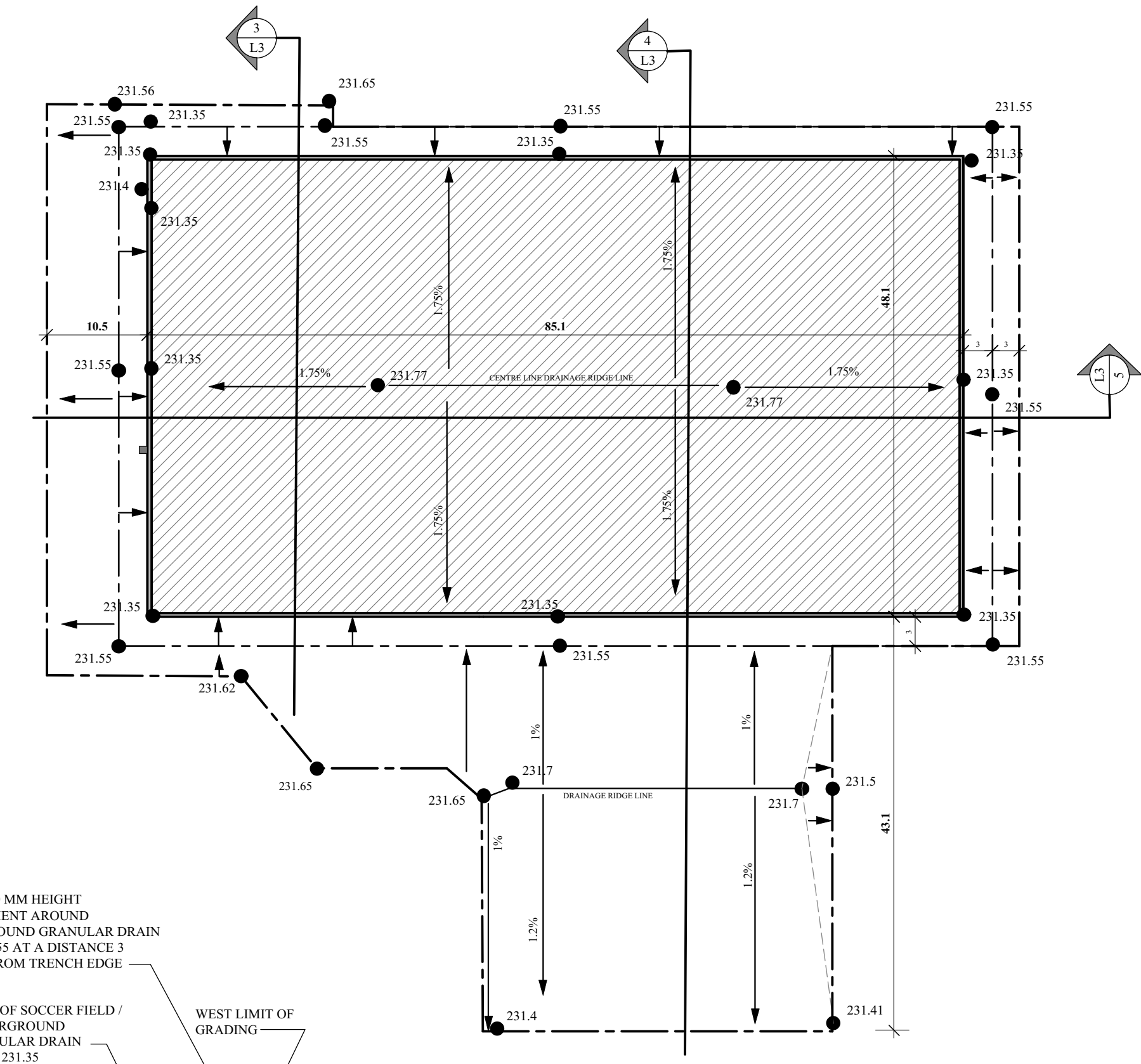
5 SCHEMATIC NORTH/SOUTH SOCCER FIELD CROSS SECTION AT MIDDLE OF FIELD
 Scale: NTS: 1 horizontally 4 vertically



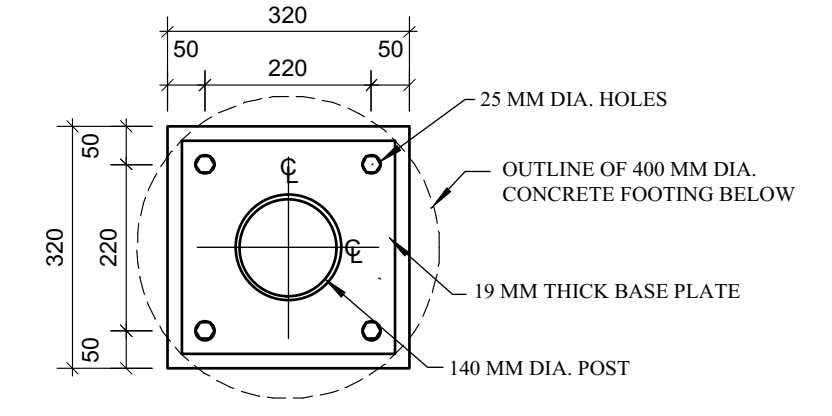
3 SCHEMATIC EAST/WEST SOCCER FIELD CROSS SECTION AT SOUTH END OF FIELD
 Scale: NTS: 1 horizontally 4 vertically



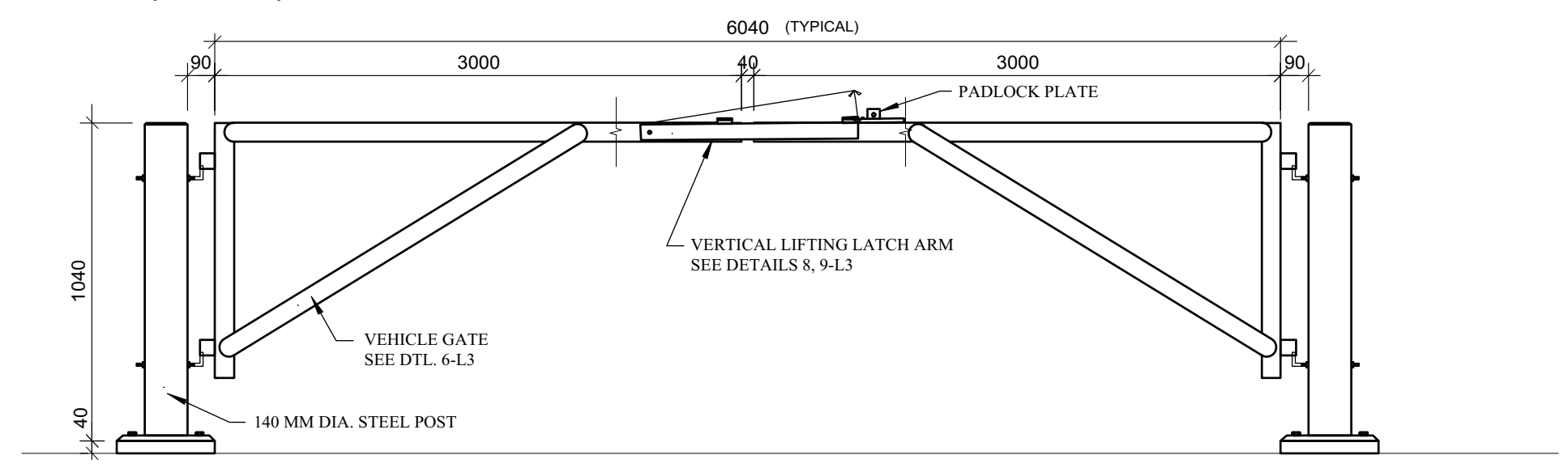
4 SCHEMATIC EAST/WEST SOCCER FIELD CROSS SECTION AT NORTH END OF FIELD
 Scale: NTS: 1 horizontally 4 vertically



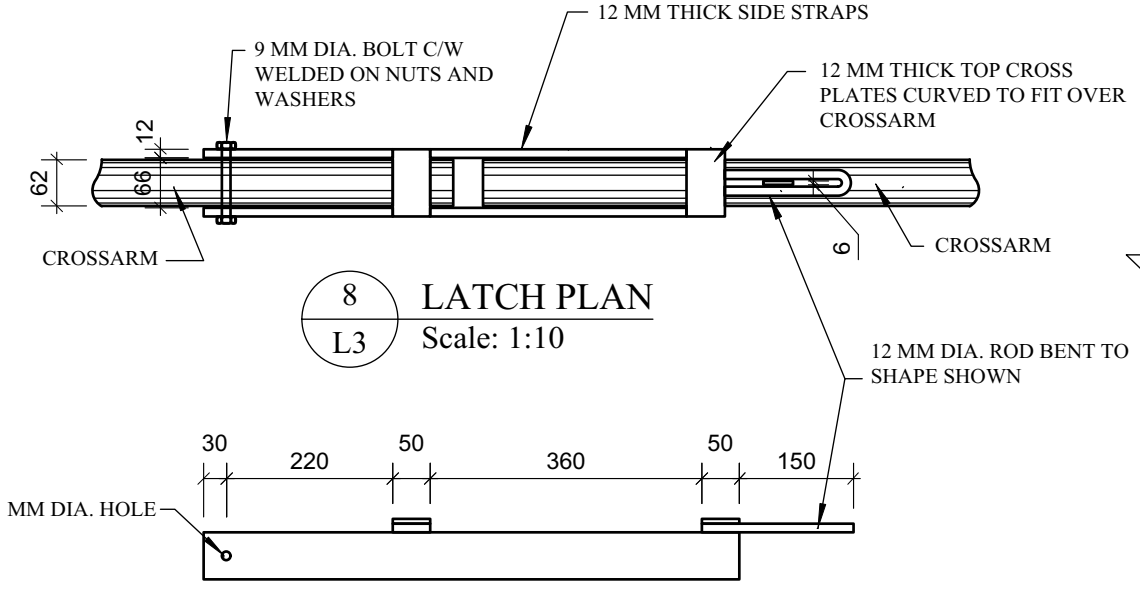
2 SECTION CUT LINE PLAN LOCATION
 Scale: 1:500



7 BASE PLATE DETAIL
 Scale: 1:10

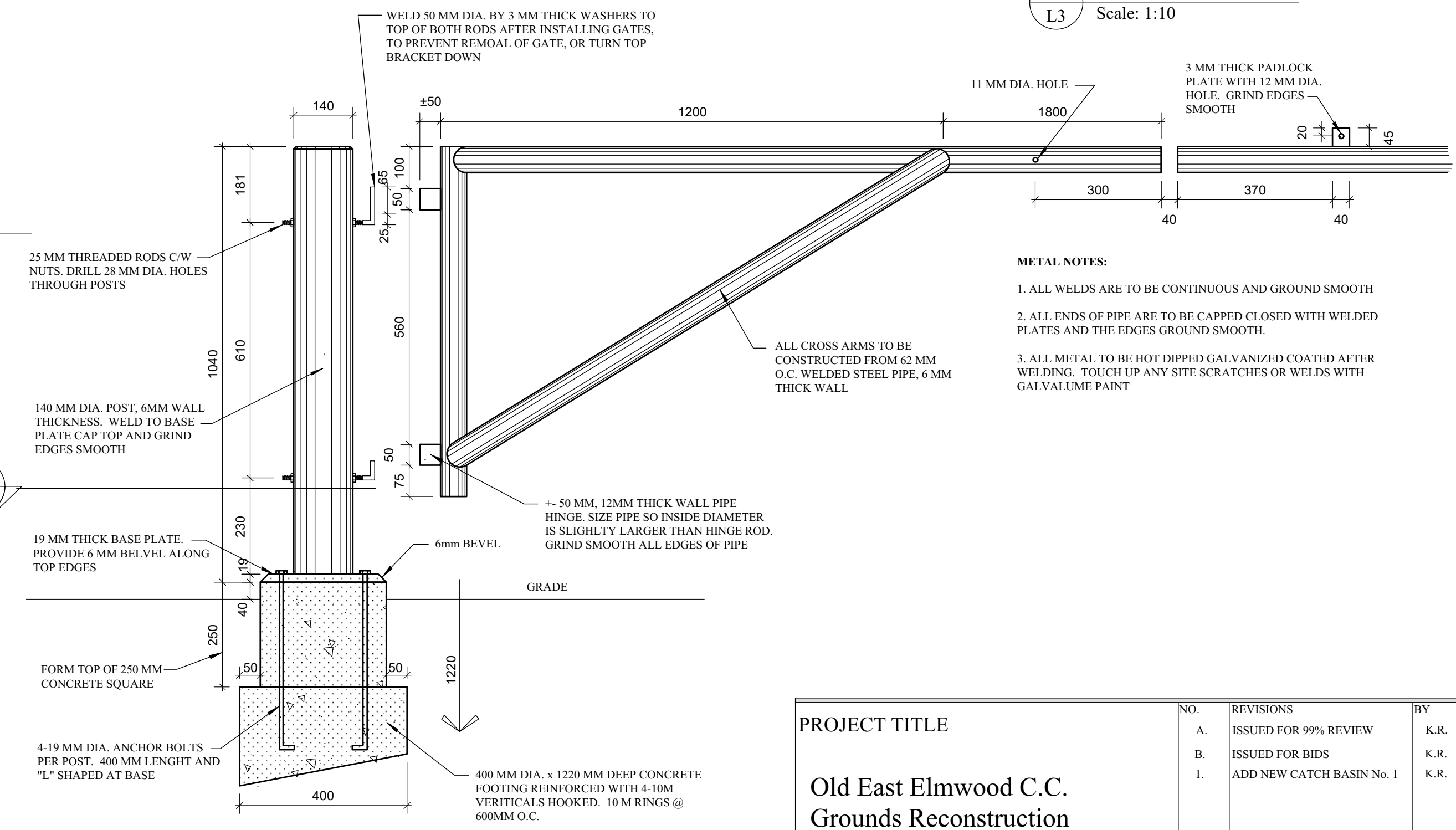


10 VEHICLE GATE ELEVATION
 Scale: 1:20

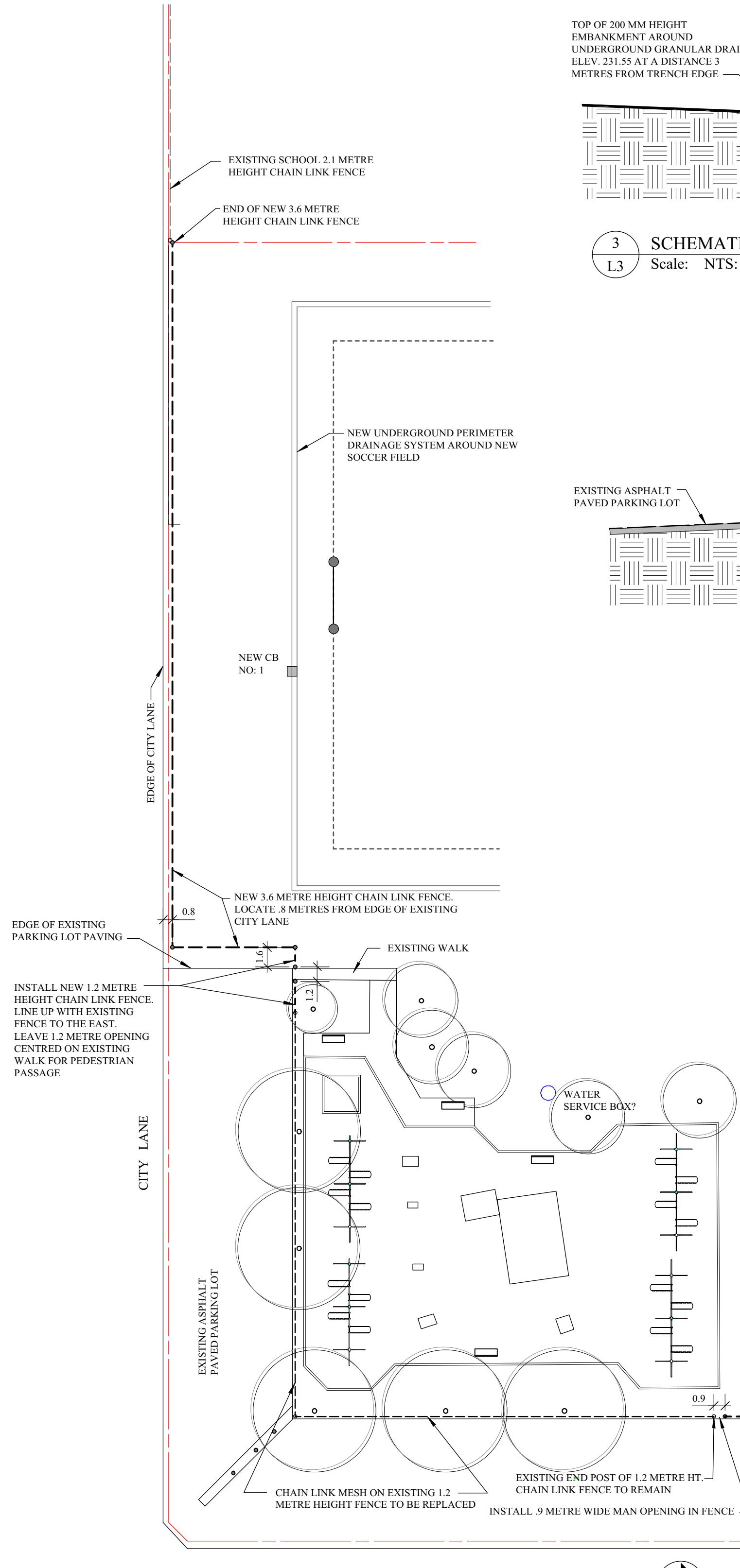


8 LATCH PLAN
 Scale: 1:10

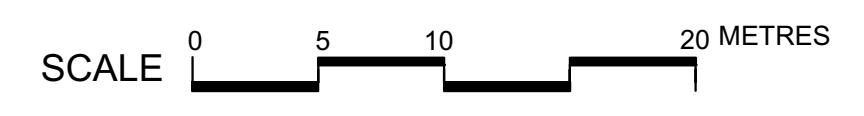
9 LATCH ELEVATION
 Scale: 1:10



6 VEHICLE GATE DETAIL
 Scale: 1:10



1 NEW CHAIN LINK FENCE LAYOUT PLAN
 Scale: 1:300



- METAL NOTES:**
1. ALL WELDS ARE TO BE CONTINUOUS AND GROUND SMOOTH
 2. ALL ENDS OF PIPE ARE TO BE CAPPED CLOSED WITH WELDED PLATES AND THE EDGES GROUND SMOOTH
 3. ALL METAL TO BE HOT DIPPED GALVANIZED COATED AFTER WELDING. TOUCH UP ANY SITE SCRATCHES OR WELDS WITH GALVALUME PAINT

PROJECT TITLE		NO.		REVISIONS		BY		DATE	
Old East Elmwood C.C. Grounds Reconstruction		A.		ISSUED FOR 99% REVIEW		K.R.		JAN. 31, 2018	
		B.		ISSUED FOR BIDS		K.R.		FEB. 23, 2018	
		I.		ADD NEW CATCH BASIN No. 1		K.R.		APRIL 9, 2018	
DRAWING TITLE		KEN RECH LANDSCAPE ARCHITECTS INC. 1480 Wellington Crescent Winnipeg Manitoba Email: kenrech@mts.net R3N 0B3 Tel(204) 489-6616							
MISCELLANEOUS DETAILS		DRAWN BY		SCALE		SHEET NO.			
		K. Rech		1:300		L-3			
		PRINT DATE		DATE		REVISION			
April 9, 2018		Feb. 23, 2018		1					
FILE NO.		17-07		REVISION		1			