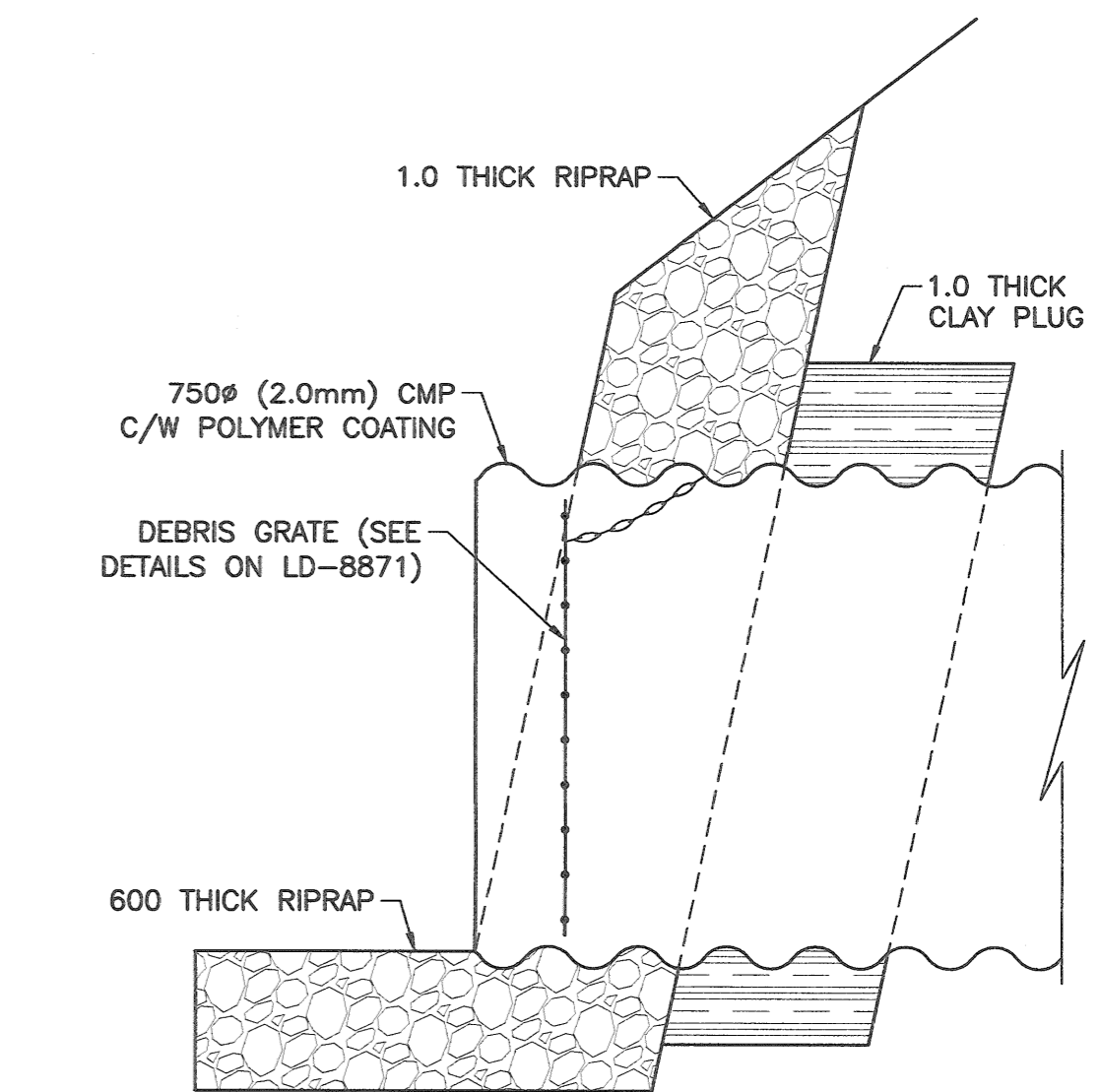
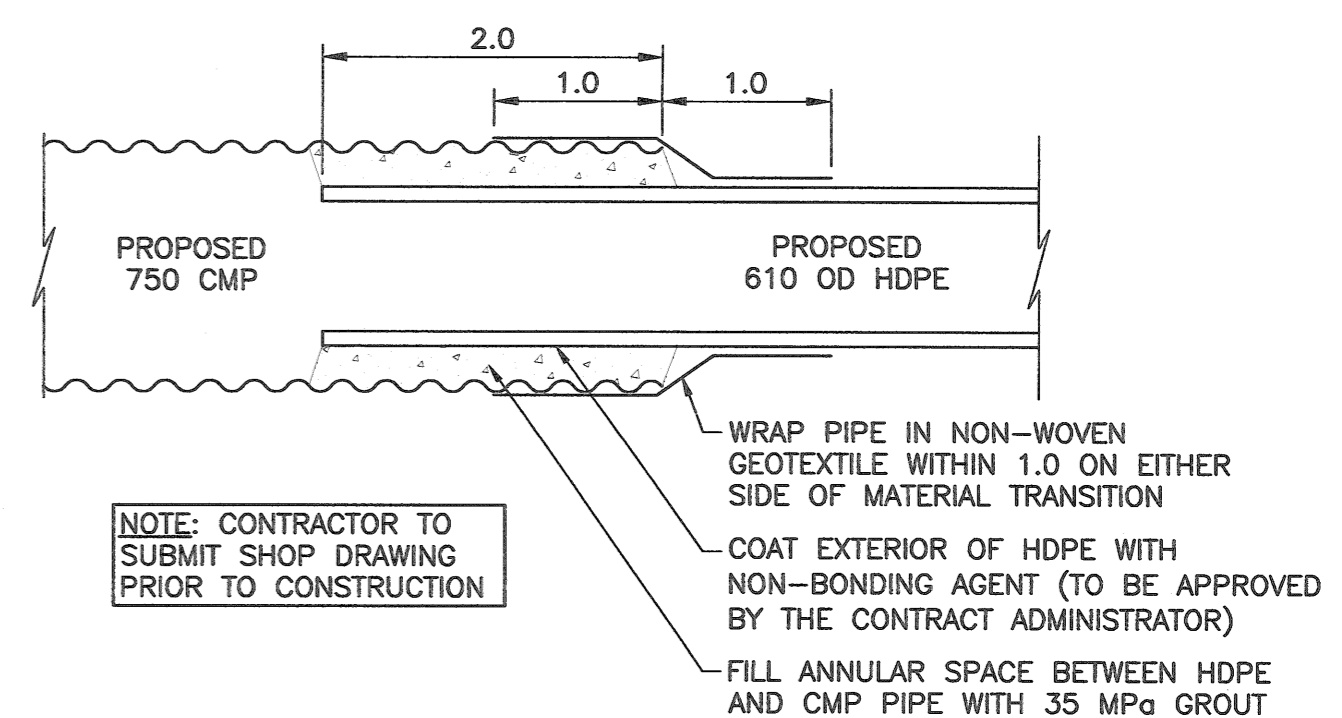


NOTE: CHAINAGES SHOWN ARE ALONG  $\phi$  PATH EASEMENT



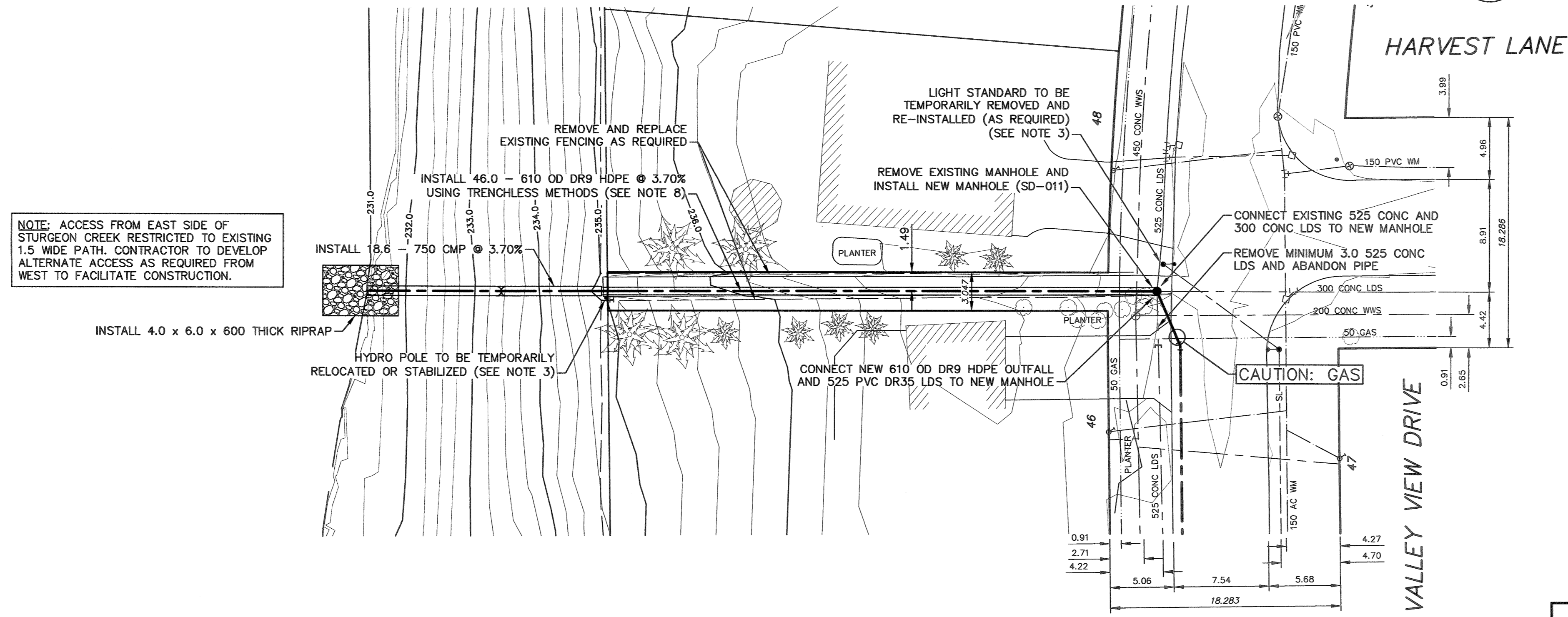
END SECTION DETAIL  
SCALE: N.T.S.



HDPE EXPANSION JOINT DETAIL  
SCALE: N.T.S.

- NOTES:**
- ALL EXCAVATED MATERIAL WITHIN 107.0 OF THE REGULATED SUMMER RIVER LEVEL (RSRL) MUST BE REMOVED FROM SITE (NO STOCK PILING).
  - ALL TREES ADJACENT TO OUTFALL ALIGNMENT TO BE PROTECTED DURING CONSTRUCTION.
  - CONTRACTOR TO ARRANGE FOR TEMPORARY HYDRO SERVICE RELOCATIONS AND LINE RAISING WITH CONTRACT ADMINISTRATOR AND HYDRO, MANITOBA HYDRO CONTACT: NORM @ 204-360-7424.
  - RETAINING WALLS, PAVING STONES, FENCES, AND OTHER LANDSCAPING FEATURES TO BE RESTORED TO PRE-CONSTRUCTION CONDITIONS.
  - CONTRACTOR TO PROVIDE BARRICADES, WARNING SIGNS, AND TEMPORARY SAFETY FENCING CONCERNING WORK SITE.
  - ALL ROAD, CURB, SIDEWALK, AND BOULEVARDS TO BE RESTORED TO PRE-CONSTRUCTION CONDITION.
  - BOTH HDPE AND PVC PIPE TO MANHOLE CONNECTIONS TO USE FLEXIBLE BOOT CONNECTOR.
  - TRENCHLESS PIPE INSTALLATION METHOD SHALL NOT IMPACT HOUSE FOUNDATIONS OF ADJACENT PROPERTIES. METHOD OF INSTALLATION TO BE SUBMITTED TO CONTRACT ADMINISTRATOR PRIOR TO CONSTRUCTION.

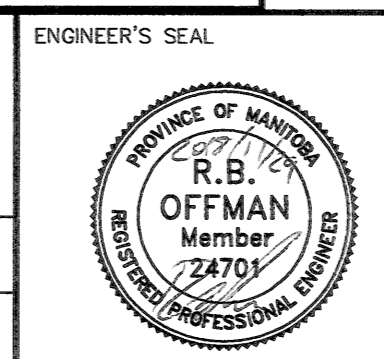
**PROPERTY LIMITS DELINEATION**  
DELINEATION OF PROPERTY LIMITS AS SHOWN ON THIS DWG DOES NOT REPRESENT A "LEGAL SURVEY". KGS GROUP MAKES NO REPRESENTATION OR WARRANTY AS TO THE ACCURACY OF PROPERTY LIMITS DELINEATED ON THIS DWG, NOR ON THE DIMENSIONAL ACCURACY OF DWG FEATURES RELATIVE TO THOSE PROPERTY LIMITS.



NOTE: ACCESS FROM EAST SIDE OF STURGEON CREEK RESTRICTED TO EXISTING 1.5 WIDE PATH. CONTRACTOR TO DEVELOP ALTERNATE ACCESS AS REQUIRED FROM WEST TO FACILITATE CONSTRUCTION.

SEE DWG LD-8864

ENGINEERS  
GEOSCIENTISTS  
MANITOBA  
Certificate of Authorization  
KGS Group  
No. 245



THE CITY OF WINNIPEG  
WATER AND WASTE DEPARTMENT  
ENGINEERING DIVISION

2019 OUTFALL RENEWAL  
REHABILITATION PROGRAM  
VALLEY VIEW DRIVE OUTFALL (NEW)  
PLAN AND PROFILE

SHEET 9 OF 16  
CITY DRAWING NUMBER  
LD-8865

**WARNING**  
IF POWER EQUIPMENT OR EXPLOSIVES ARE TO BE USED FOR EXCAVATION ON THIS PROJECT THE CONTRACTOR MUST:  
1) NOTIFY THE GAS COMPANY OF THE PROPOSED LOCATION OF EXCAVATION.  
2) TAKE PRECAUTION TO AVOID DAMAGE TO GAS COMPANY INSTALLATIONS.  
SEE PROVINCIAL REGULATION 210/72 FOR DETAILS

**LOCATION APPROVED**  
UNDERGROUND STRUCTURES  
SUPV. U/G STRUCTURES COMMITTEE DATE  
NOTE:  
LOCATION OF UNDERGROUND STRUCTURES AS SHOWN ARE BASED ON THE BEST INFORMATION AVAILABLE BUT NO GUARANTEE IS GIVEN THAT ALL EXISTING UTILITIES ARE SHOWN OR THAT THE GIVEN LOCATIONS ARE EXACT. CONFIRMATION OF EXISTENCE AND EXACT LOCATION OF ALL SERVICES MUST BE OBTAINED FROM THE INDIVIDUAL UTILITIES BEFORE PROCEEDING WITH CONSTRUCTION.

NO.	REVISIONS	DATE	BY
1	ISSUED WITH ADDENDUM #1	2018 11 29	RBO
0	ISSUED FOR TENDER	2018 11 21	RBO

DESIGNED BY	NGV	CHECKED BY	RBO
DRAWN BY	GEL	APPROVED BY	RBO
SCALE:		RELEASED FOR CONSTRUCTION	
HORIZONTAL	1:250		
VERTICAL	1:50		
DATE	2018 11 28	DATE	2018-11-20

ENGINEER'S SEAL  
CONSULTANT DRAWING NUMBER  
18-0107-013\_LD-8865

