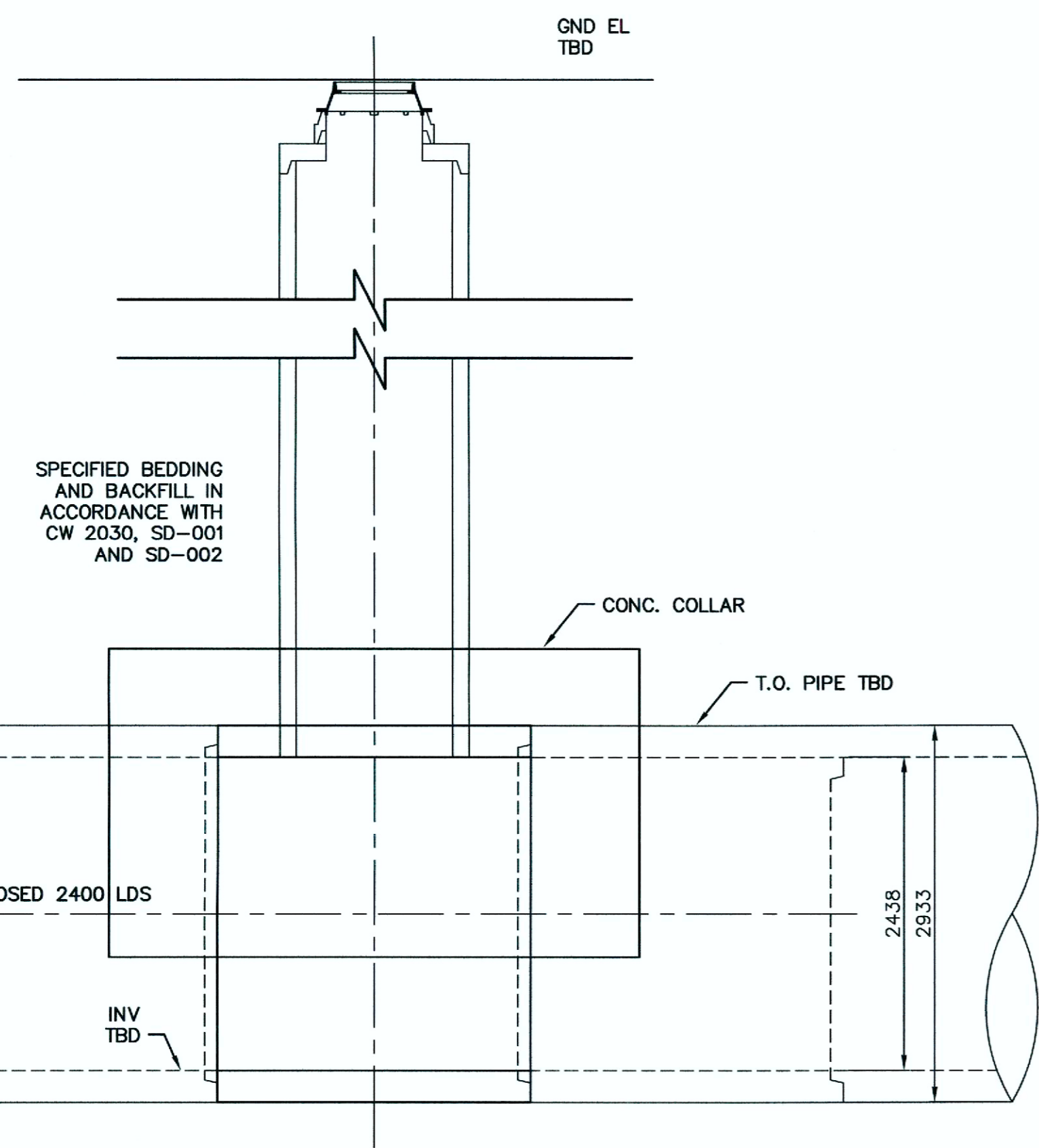
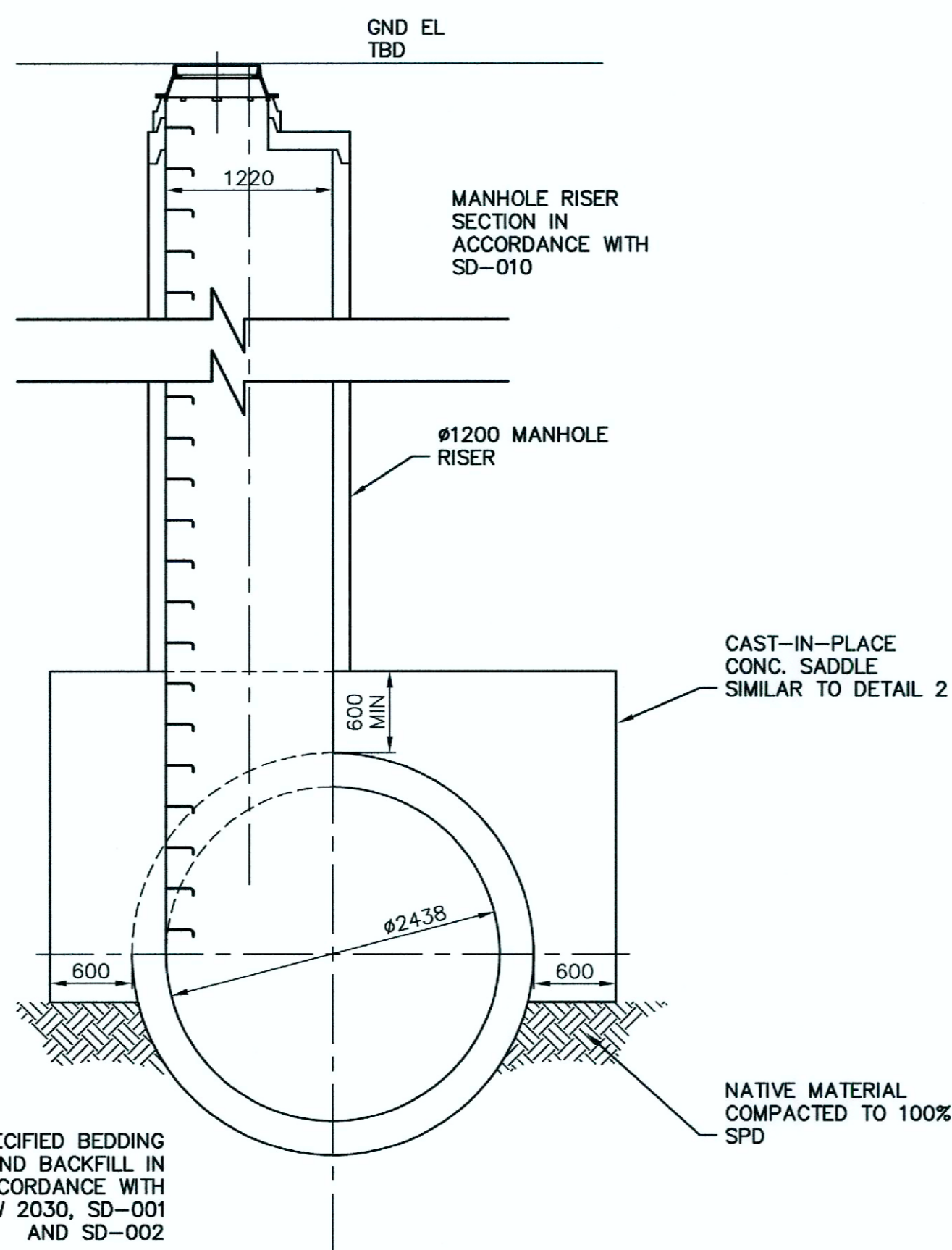


PLAN

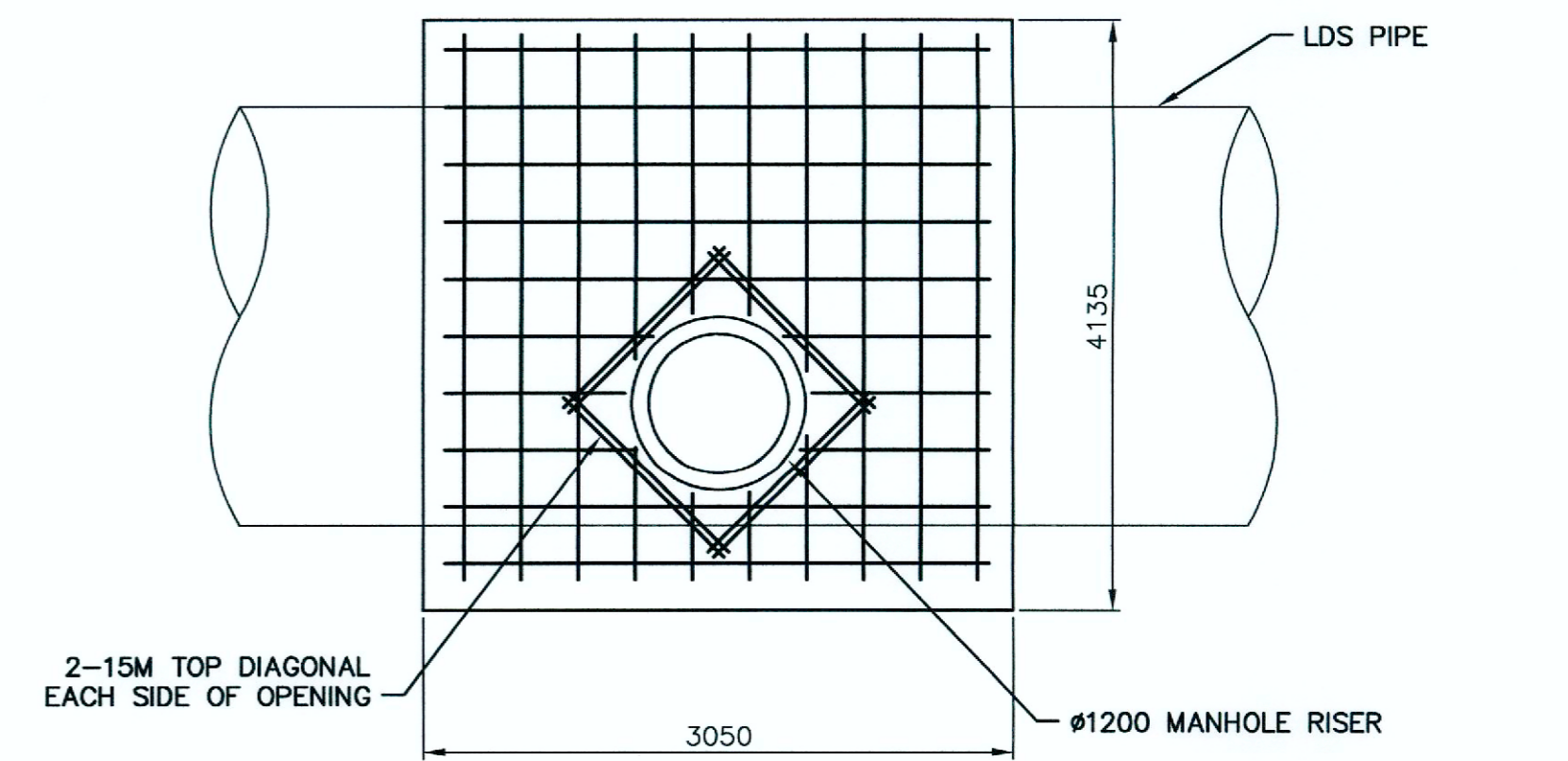


SECTION A

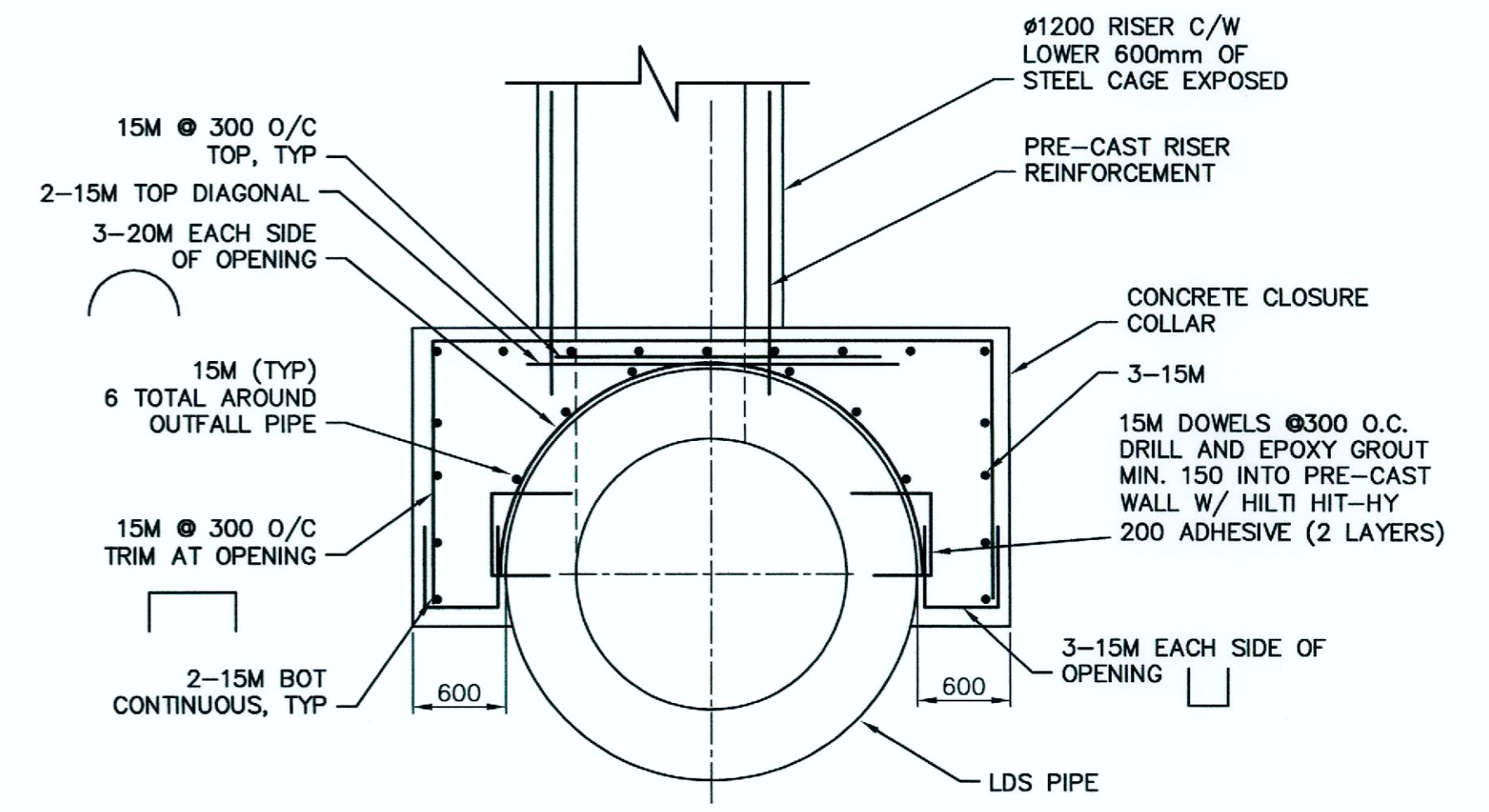
1 PIPE WITH RISER TEE MH
1:40



SECTION B



PLAN



SECTION

2 CONCRETE SADDLE DETAIL
NTS

- NOTES:
1. SUBMIT SHOP DRAWINGS AND DESIGN CALCULATIONS FOR REVIEW PRIOR TO CONSTRUCTION.
 2. REFER TO LD-8907 FOR TYPICAL REINFORCEMENT REQUIREMENTS.
 3. REINFORCING STEEL IN ACCORDANCE WITH CSA G30.18 GRADE 400W. REFER TO SPECIFICATION CW2160.
 4. CONTRACTOR TO DESIGN TEMPORARY SHORING WORKS. SEE TRAFFIC RESTRICTIONS WITHIN THE DETAIL SPECIFICATIONS FOR CONSTRAINTS.

NOTE:
THIS DRAWING ONLY APPLIES TO THE PIPE JACKING METHOD.
SEE LD-8903 FOR INTERMEDIATE MANHOLE ON CCFRPM.

APEGM
Certificate of Authorization
CH2M HILL Canada Ltd.
No. 1441

B.M. ELEV.		KGS GROUP CONSULTING ENGINEERS	JACOBS	ENGINEER'S SEAL PROVINCE OF MANITOBA DRAPER 21/01/19 37958 REGISTERED PROFESSIONAL ENGINEER	THE CITY OF WINNIPEG WATER AND WASTE DEPARTMENT
DESIGNED BY	AF	CHECKED BY	MD	PROJECT TITLE	SHEET OF
DRAWN BY	JBC	APPROVED BY	RBO (KGS Group)	COCKBURN AND CALROSSIE COMBINED SEWER RELIEF WORKS - CONTRACT 5	16 OF 19
HOR. SCALE:	AS NOTED	RELEASED FOR CONSTRUCTION:	10/29/19	PIPE JACKING	COMPUTER FILE NAME
VERTICAL:	-	DATE		INTERMEDIATE MANHOLE DETAILS	C-514.dwg
NO. REVISIONS	DATE	BY	DATE	CONSULTANT DRAWING NO.	CITY DRAWING NUMBER
0	ISSUED FOR TENDER	01/2019	JBC	C-514	LD-8905

File Name C:\pwworkdir\ch2mhill_wbg\jcoritez\0443046\