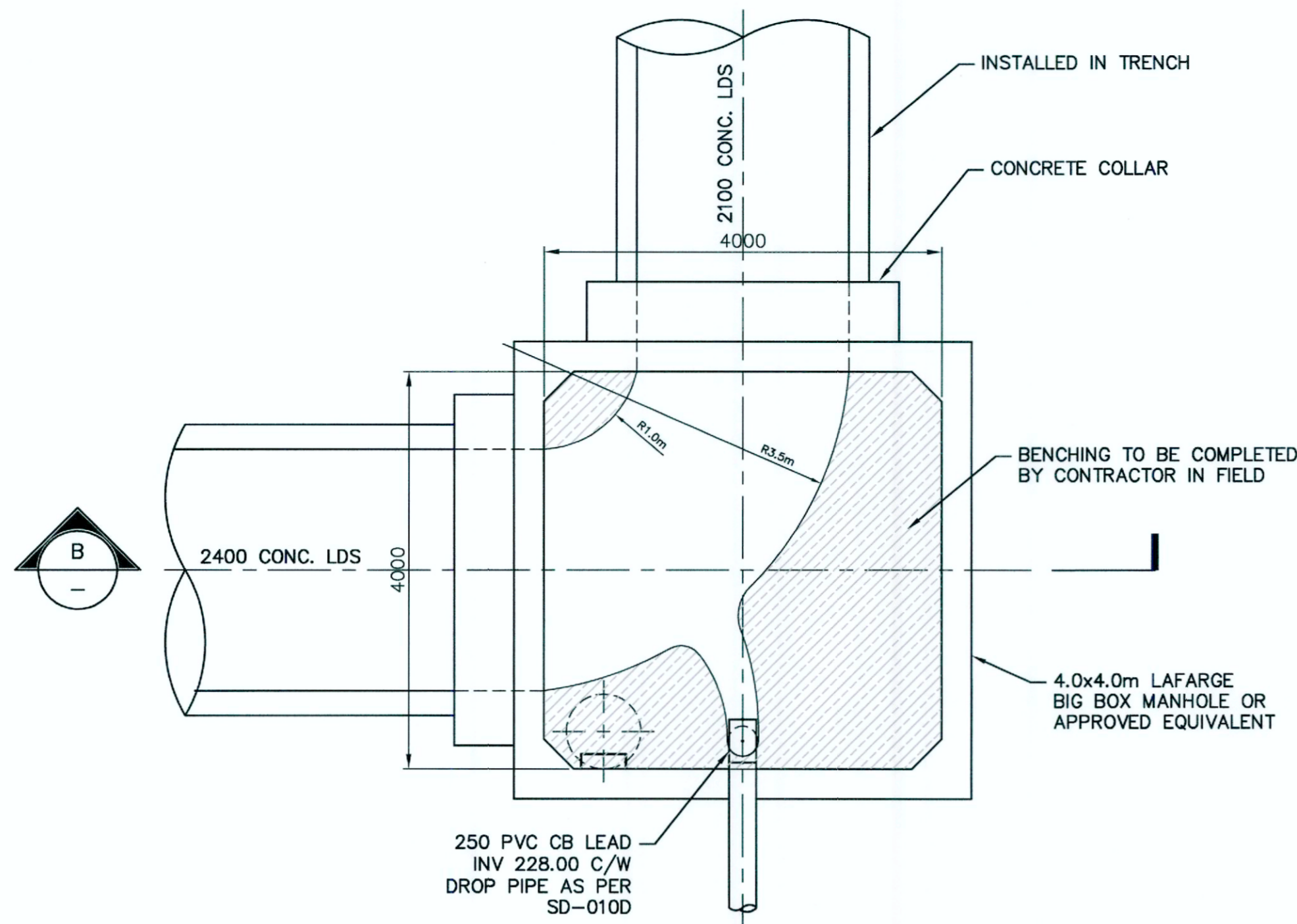
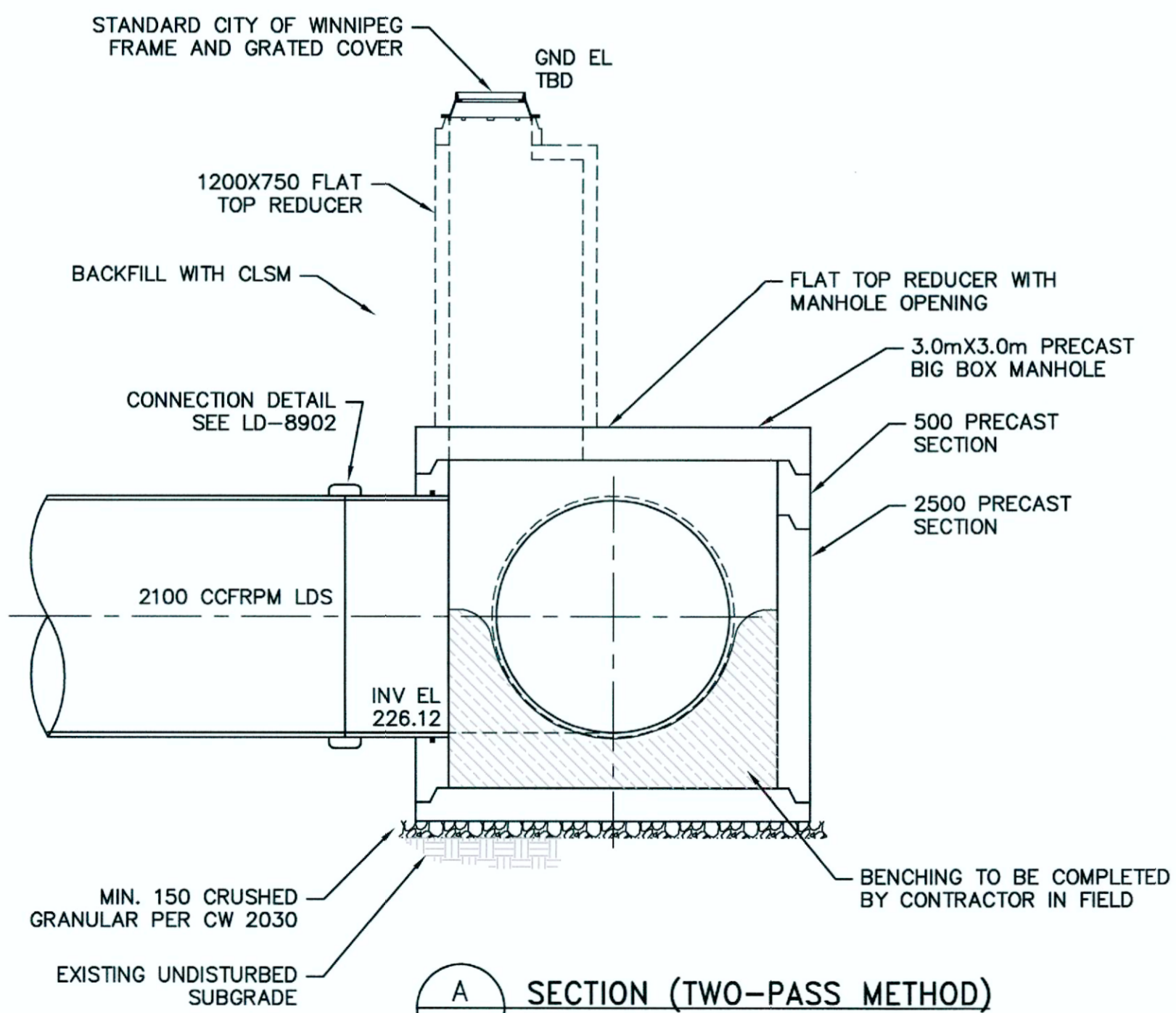


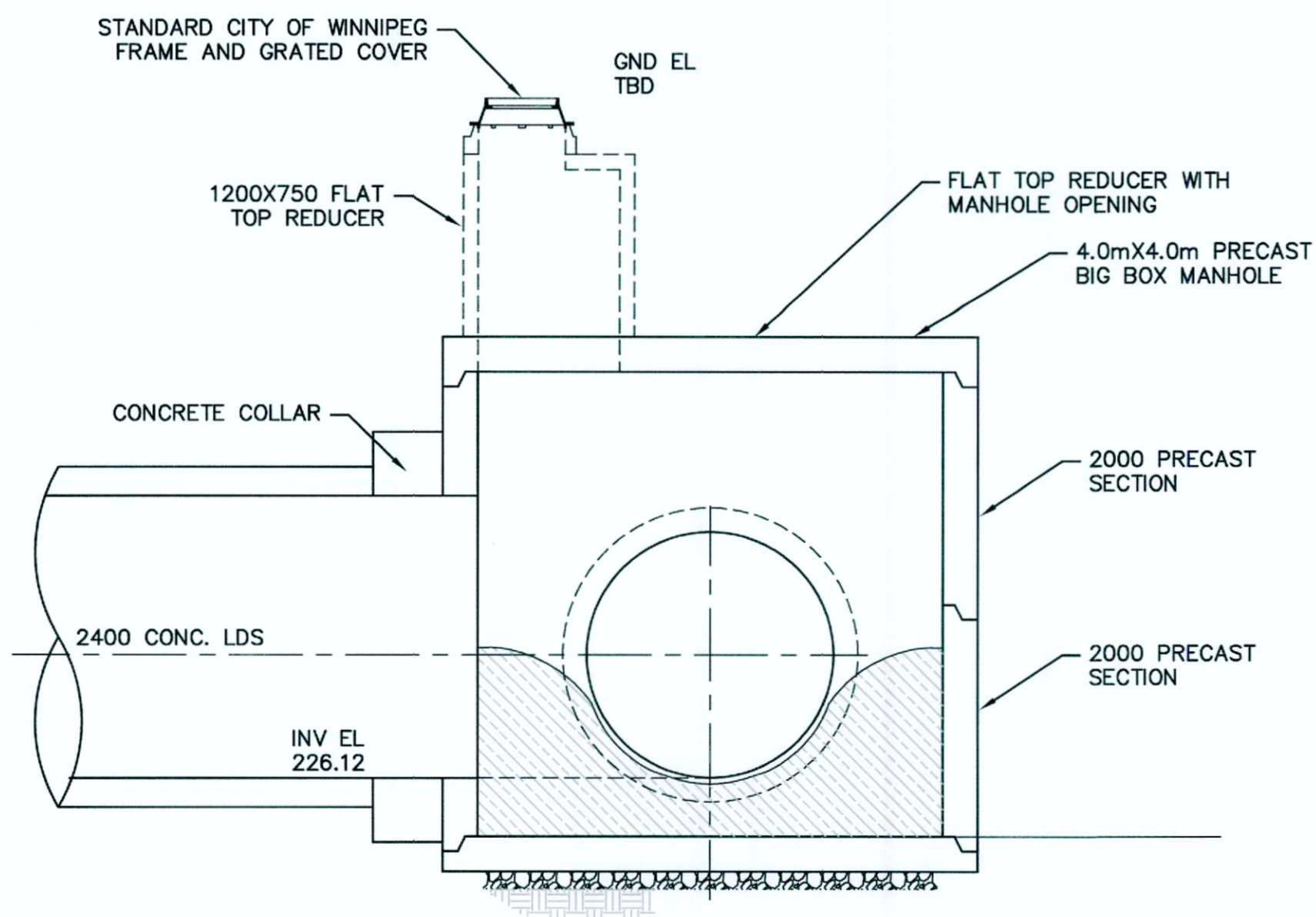
1 PLAN (TWO-PASS METHOD)  
1:50



2 PLAN (PIPE JACKING METHOD)  
1:50



A SECTION (TWO-PASS METHOD)  
1:50



B SECTION (PIPE JACKING METHOD)  
1:50

CONSTRUCTION NOTES:

- SEWER AND WATER SERVICES SHOWN ON DRAWING ARE APPROXIMATE ONLY.
- LOCATION OF ALL SEWER AND WATER LINES TO BE CONFIRMED IN FIELD.
- TRAFFIC MANAGEMENT PLAN TO BE IMPLEMENTED AS PER SPECIFICATIONS.
- CONTRACTOR TO DESIGN TEMPORARY SHORING WORKS. SEE TRAFFIC RESTRICTIONS WITHIN THE DETAIL SPECIFICATIONS FOR CONSTRAINTS.
- PRECAST BIG BOX TO BE INSTALLED AS PER CW2130 UNLESS OTHERWISE NOTED.
- BIG BOX MANHOLE MANUFACTURED BY LAFARGE OR APPROVED EQUIVALENT IN ACCORDANCE WITH B7 OF THE SPECIFICATION.
- TWO INDEPENDENT DETAILS ARE SHOWN, ONE FOR EACH PIPE MATERIAL.

NOTE:  
IN ADDITION TO THE JACKING FORCE REQUIREMENTS, PIPES WITHIN THE SHAFT TO BE CLASSIFIED FOR OPEN CUT INSTALLATION, INSTALLATION INCLUDING BACKFILLING WITH CLSM TO BE IN ACCORDANCE WITH THE MANUFACTURER'S RECOMMENDATIONS.

File name: C:\pw\_workdir\ch2mhill\_wbg\cortez1\d0443046



B.M. ELEV.						
DESIGNED BY	MD				CHECKED BY	MD
DRAWN BY	JBC	APPROVED BY	RJS (KGS Group)	COCKBURN AND CALROSSIE COMBINED SEWER RELIEF WORKS - CONTRACT 5	19 OF 19	
HOR. SCALE: AS NOTED		RELEASED FOR CONSTRUCTION:		STRUCTURAL <b>MANHOLE CHAMBER MH-44</b> DETAILS	COMPUTER FILE NAME	
VERTICAL: -		DATE: 01/29/19			S-522.dwg	
0 ISSUED FOR TENDER	01/2019	JBC		CONSULTANT DRAWING NO.	CITY DRAWING NUMBER	
NO. REVISIONS	DATE	BY	DATE	S-522	LD-8908	