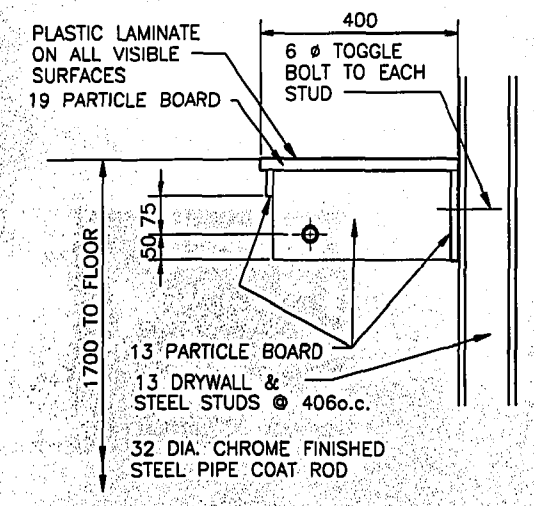


A NEW BUILDING FLOOR PLAN
A01/A01 1:100

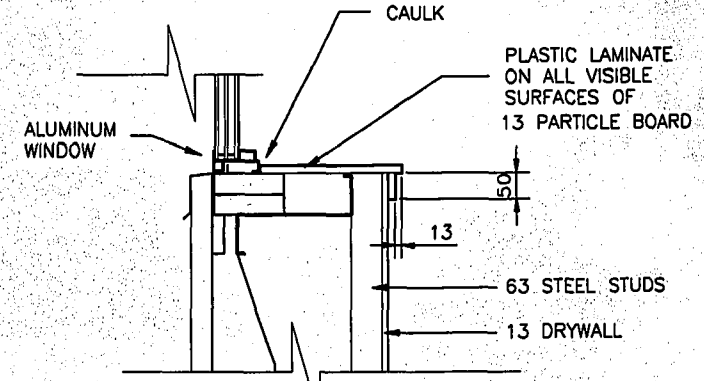
WALL LEGEND

- TYPICAL WALL: 13 STANDARD GYPSUM BOARD, 89 STEEL STUDS 406 o.c., 13 STANDARD GYPSUM BOARD
- ①: 16 TYPE X GYPSUM BOARD, 89 STEEL STUDS 406 o.c., 16 TYPE X GYPSUM BOARD (TO UNDERSIDE OF ROOF INSULATION)
- ②: 16 ABUSE RESISTANT GYPSUM BOARD (RM 122), 89 STEEL STUDS 305 o.c., 13 STANDARD GYPSUM BOARD (OFFICES)
- ③: 16 WATER RESISTANT GYPSUM BOARD, 89 GALVANIZED STEEL STUDS 406 o.c. (140 STUDS WHERE NOTED ON PLAN), 16 WATER RESISTANT GYPSUM BOARD (13 STANDARD GYPSUM BOARD AT OFFICE OR CORRIDOR SIDE)
- ④: 13 STANDARD GYPSUM BOARD, 89 STEEL STUDS 406 o.c., RSI = 2.1 BATT INSULATION, 13 STANDARD GYPSUM BOARD (BUILD TO UNDERSIDE OF ROOF INSULATION)
- ⑤: INSTALL 20mm X 300 HIGH PLYWOOD IN WALL, FULL LENGTH, TOP 2200 ABOVE FLOOR

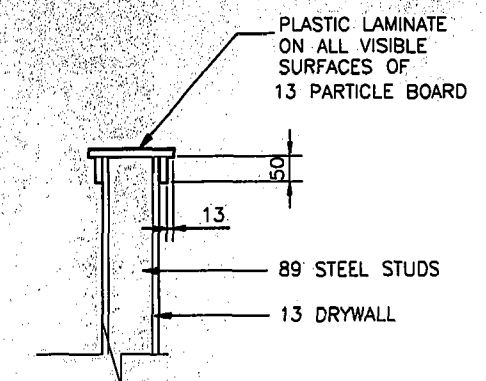
AS-CONSTRUCTED DIMENSIONS, MEASUREMENTS AND OTHER DETAILS CONTAINED IN THIS RECORD DRAWING HAVE BEEN SUPPLIED TO UMA ENGINEERING LTD. BY THE CONTRACTOR AND/OR OTHERS. UMA ENGINEERING LTD. DOES NOT IN ANY WAY REPRESENT OR WARRANT THAT SUCH INFORMATION IS ACCURATE AND ASSUMES NO RESPONSIBILITY FOR ANY ERRORS OR OMISSIONS CONTAINED THEREIN.



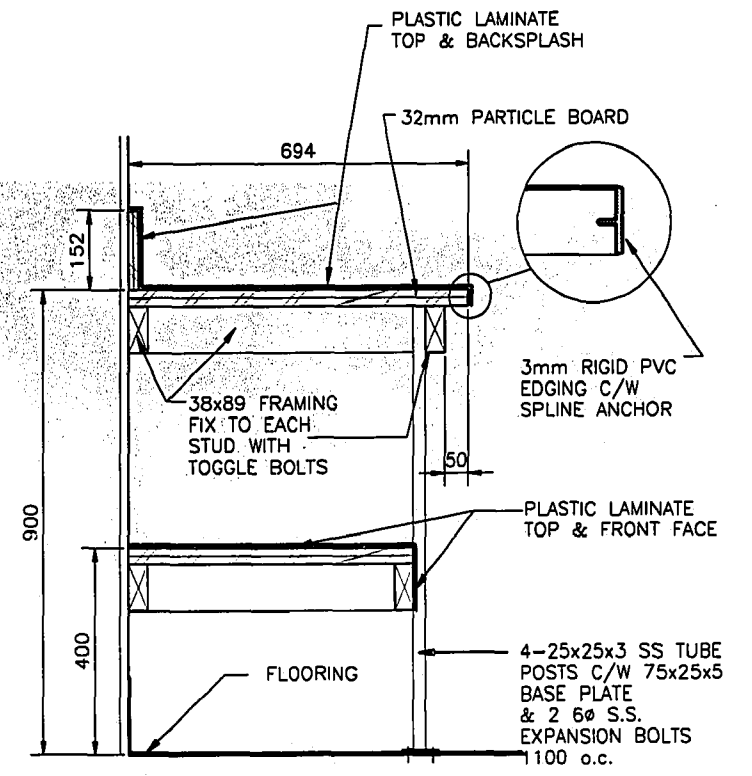
A SECTION
A06/A01 1:10 XXCA01A



B WINDOW SILL DETAIL
1:10 XXCA01A



C WALL CAP DETAIL
1:10 XXCA01A



D WORK BENCH SECTION
A06/A01 1:10 XXCA01D

REV	DESCRIPTION	DWN	APP	DATE	ISSUED	SEAL
8	FOR RECORD DRAWINGS	JRC	RG	00 03 08	FOR RECORD DRAWINGS	
7	MILLWORK	JRC		99 04 29	FOR RFQ 436-99 TENDER	
6	SHEET FLOORING & CARPET	JRC		99 04 23	FOR RFQ 440-99 TENDER	
5	PAINTING & SPECIAL COATINGS	JRC		99 04 23	FOR RFQ 439-99 TENDER	
4	STEEL STUDS, DRYWALL & CEILINGS	JRC		99 04 21	FOR RFQ 437-99 TENDER	
3	DOORS, HARDWARE & GLAZING	JRC		99 04 12	FOR RFQ 438-99 TENDER	
2	SPECIAL DOORS & ALUMINUM WINDOWS	JRC		99 03 18	FOR DOOR & WINDOW TENDER	
1	MASONRY WORK ONLY	JRC		99 03 12	FOR MASONRY TENDER	
0	PRE-ENGINEERED BUILDING ONLY	JRC		99 02 04	ISSUED FOR TENDER	

UMA Engineering Ltd.
Engineers & Planners
1479 Buffalo Place, Winnipeg, Manitoba, Canada R3T 1L7

APPROVED: _____ DATE: _____
DRAWN BY: J.R.C. DESIGNED BY: J. CHALMERS
CHECKED BY: _____ CHECKED BY: _____
SCALE: 1:100 JOB No. 41 13 D053 008 01

CITY OF WINNIPEG
REDEVELOPMENT OF PLINGUET SITE

WINNIPEG MANITOBA
ARCHITECTURAL FLOOR PLAN
FILE NO. 00812A01
DWC. No. **A01**

RFQ No. 436-99
D-6738