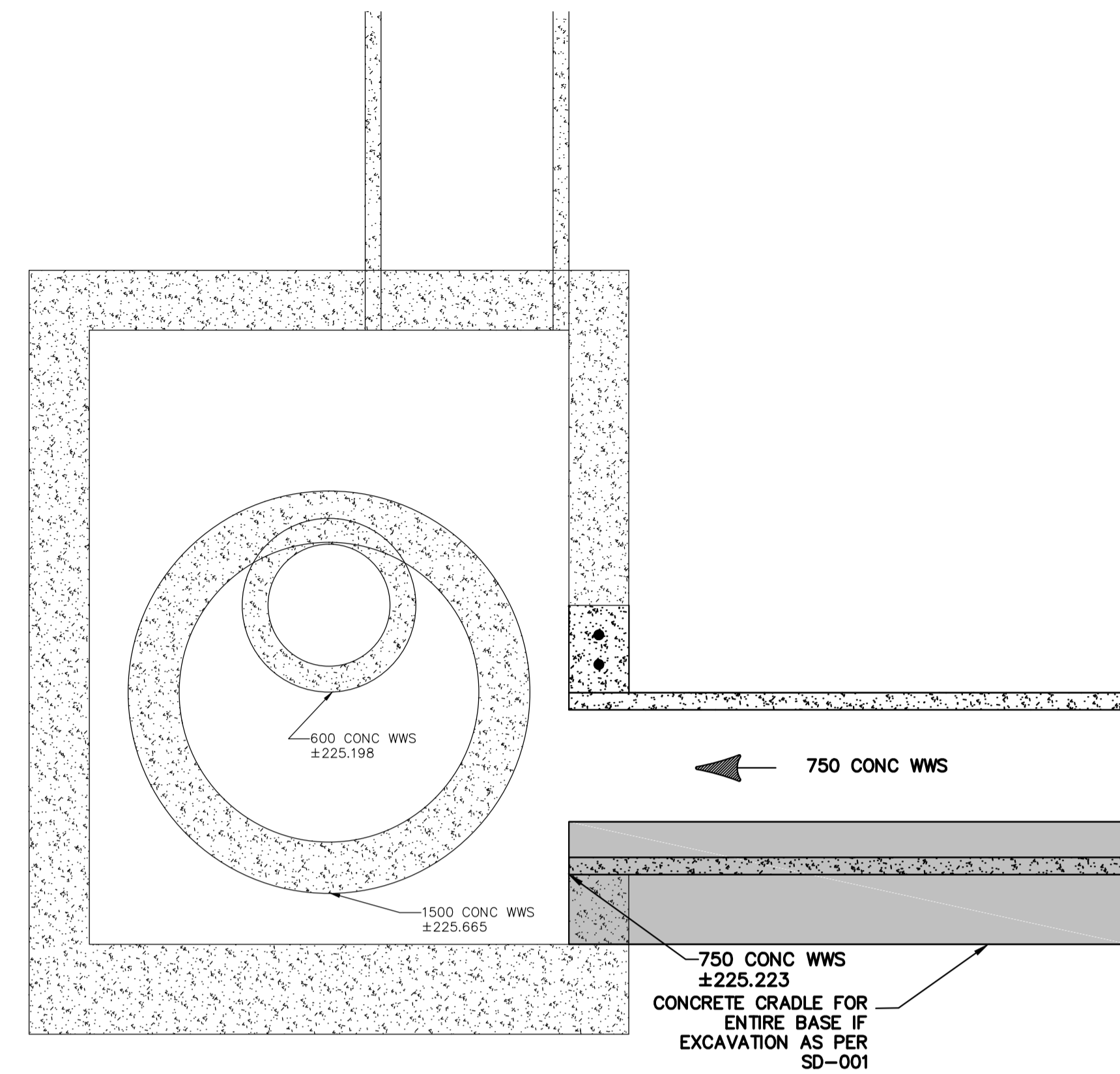
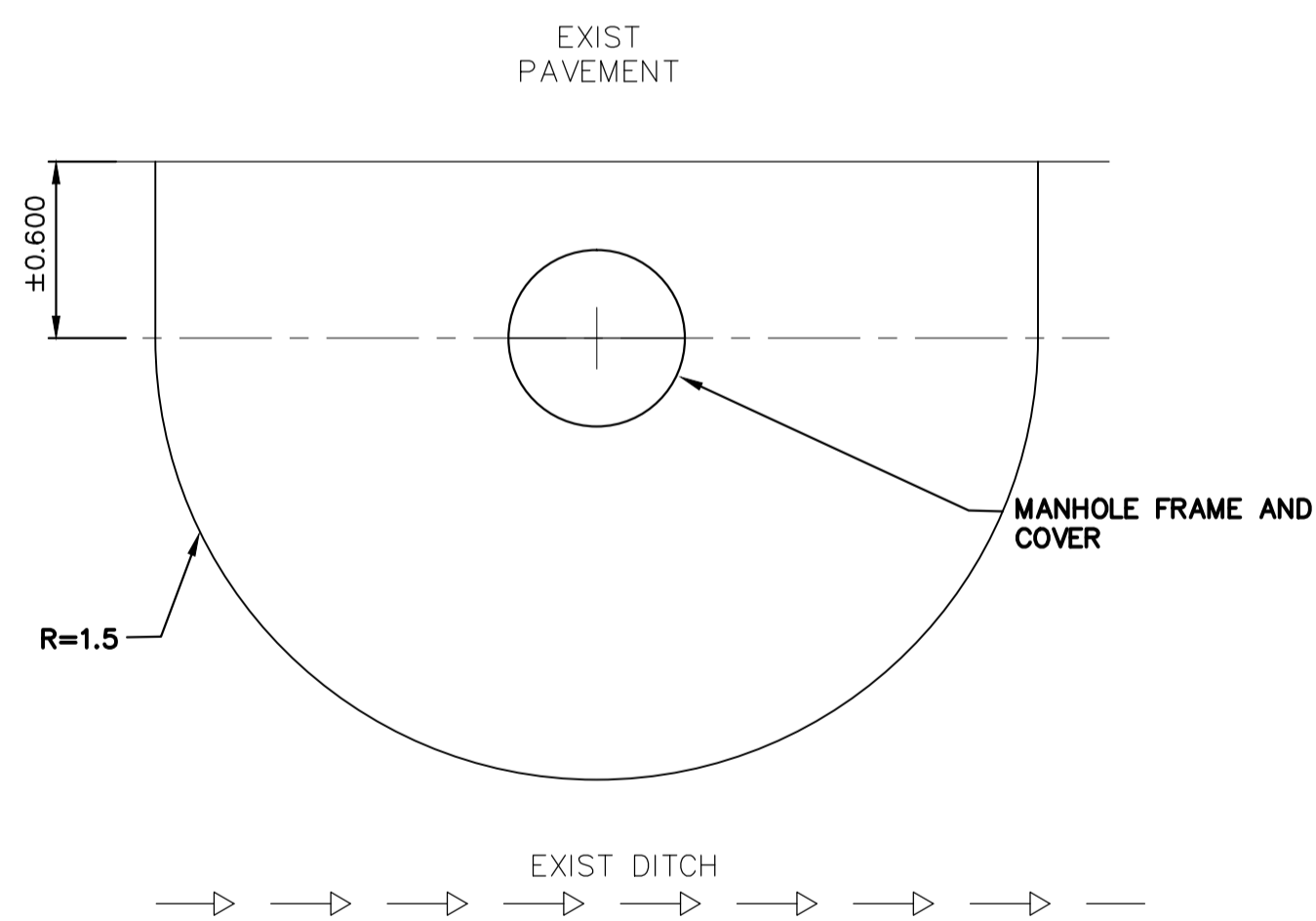


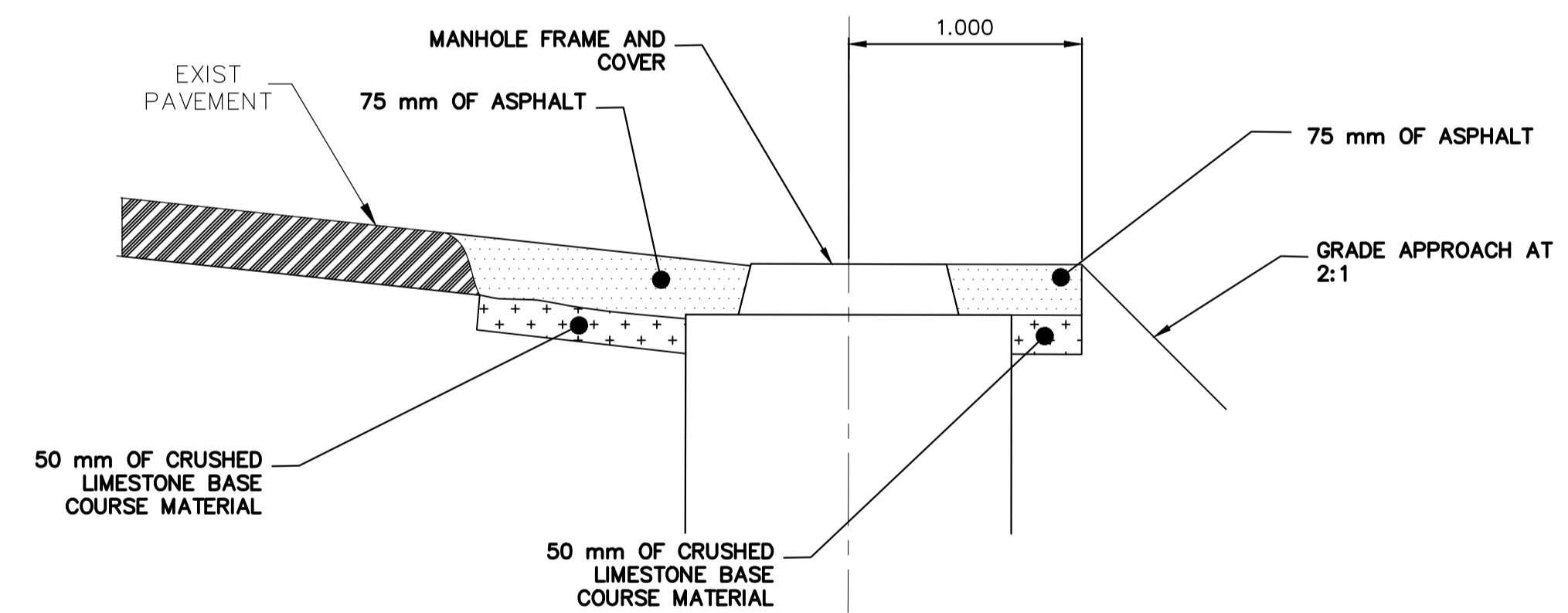
**NORTH DETAIL**  
1:25



**EAST DETAIL**  
1:25



**DETAIL "A"**  
**MANHOLE APPROACH**  
1:25



**PROFILE VIEW OF MANHOLE APPROACH**  
1:25

FOR INDEX SEE  
11885

**METRIC**  
WHOLE NUMBERS INDICATE MILLIMETRES  
DECIMALIZED NUMBERS INDICATE METRES

B.M. ELEV.		ENGINEER'S SEAL		<b>THE CITY OF WINNIPEG</b> WATER AND WASTE DEPARTMENT ENGINEERING DIVISION		SHEET 10 OF 10	
		ORIGINAL SIGNED BY K.R. ZUREK 18/12/12				CITY DRAWING NUMBER	
		DESIGNED BY DB CHECKED BY DB		NORTH TRANSCONA WASTE WATER INTERCEPTOR SEWER – PLESSIS ROAD AND GUNN ROAD <b>DETAIL SHEET</b>		11924	
		DRAWN BY RS APPROVED BY KZ				CONSULTANT DRAWING NUMBER	
		SCALE: HORIZONTAL 1:25 VERTICAL K. ZUREK					
NO.		REVISIONS		DATE		BY	
				2018 12 13		2018 12 12	
				PLOT DATE: 2018 12 13		BID OPPORTUNITY: 1172-2018	
						FILE PATH: R:\DRAWINGS\SEWER\2018 RENEWALS\PLESSIS INTERCEPTOR\Construction.dwg	
						FILE NAME: PLESSIS.dwg	