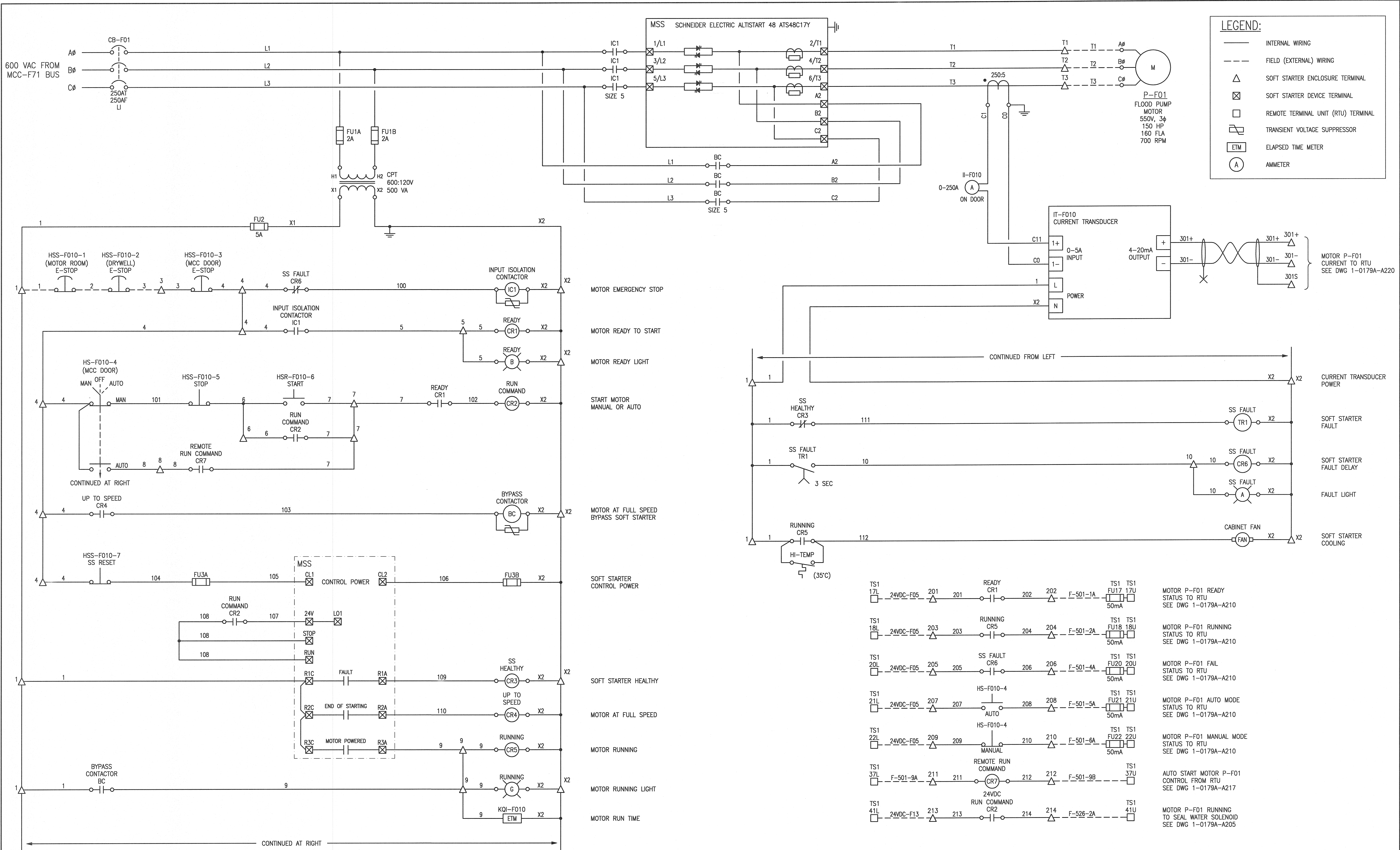
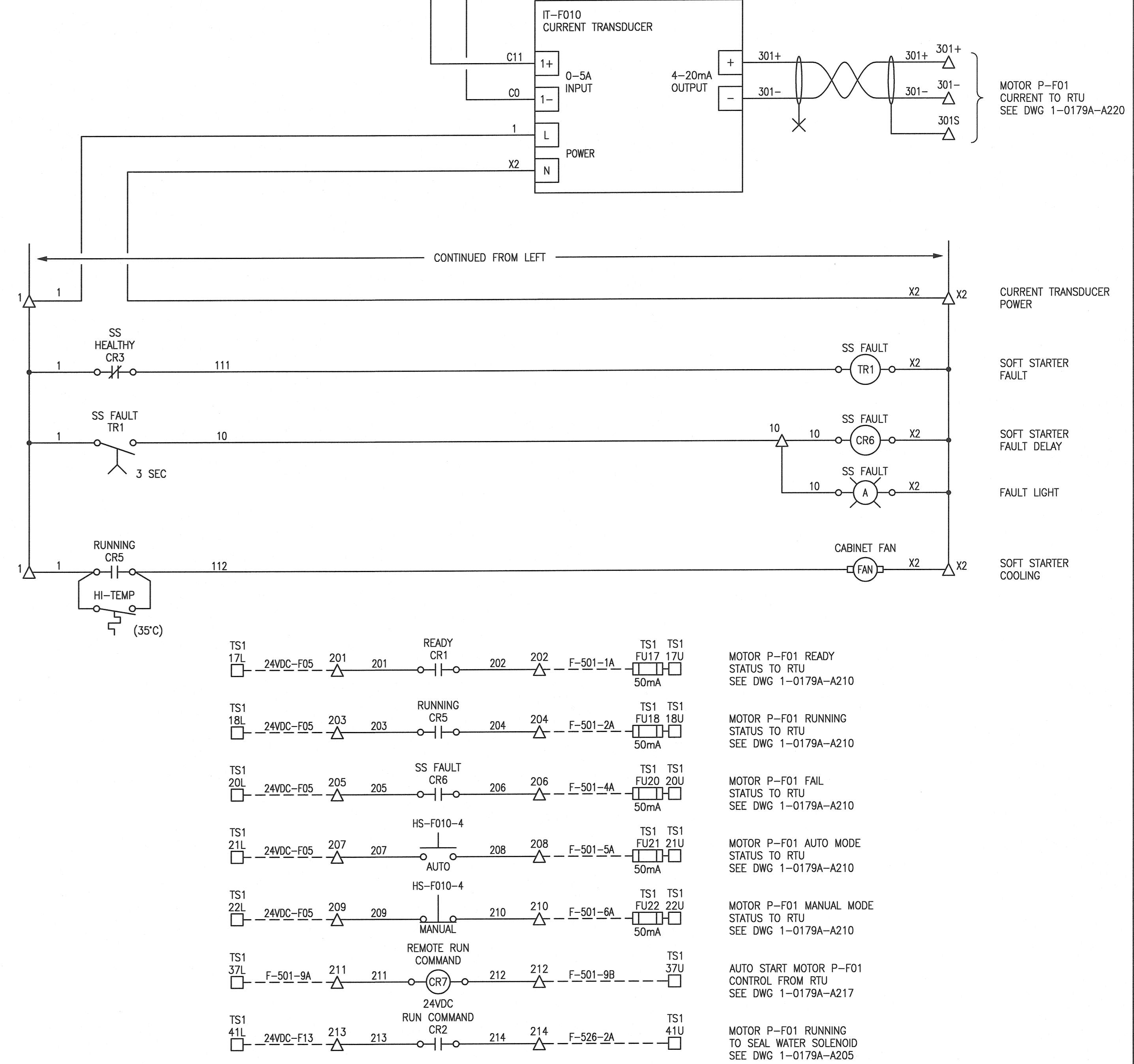


A1 SIZE - 584mm x 841mm



LEGEND:

- INTERNAL WIRING
- - - FIELD (EXTERNAL) WIRING
- △ SOFT STARTER ENCLOSURE TERMINAL
- ⊠ SOFT STARTER DEVICE TERMINAL
- REMOTE TERMINAL UNIT (RTU) TERMINAL
- ⊞ TRANSIENT VOLTAGE SUPPRESSOR
- ETM ELAPSED TIME METER
- A AMMETER



TS1 17L	24VDC-F05	201	201	READY CR1	202	202	F-501-1A	TS1 17U	50mA	MOTOR P-F01 READY STATUS TO RTU SEE DWG 1-0179A-A210
TS1 18L	24VDC-F05	203	203	RUNNING CR5	204	204	F-501-2A	TS1 18U	50mA	MOTOR P-F01 RUNNING STATUS TO RTU SEE DWG 1-0179A-A210
TS1 20L	24VDC-F05	205	205	SS FAULT CR6	206	206	F-501-4A	TS1 20U	50mA	MOTOR P-F01 FAIL STATUS TO RTU SEE DWG 1-0179A-A210
TS1 21L	24VDC-F05	207	207	HS-F010-4 AUTO	208	208	F-501-5A	TS1 21U	50mA	MOTOR P-F01 AUTO MODE STATUS TO RTU SEE DWG 1-0179A-A210
TS1 22L	24VDC-F05	209	209	HS-F010-4 MANUAL	210	210	F-501-6A	TS1 22U	50mA	MOTOR P-F01 MANUAL MODE STATUS TO RTU SEE DWG 1-0179A-A210
TS1 37L	F-501-9A	211	211	REMOTE RUN COMMAND	212	212	F-501-9B	TS1 37U		AUTO START MOTOR P-F01 CONTROL FROM RTU SEE DWG 1-0179A-A217
TS1 41L	24VDC-F13	213	213	24VDC RUN COMMAND CR2	214	214	F-526-2A	TS1 41U		MOTOR P-F01 RUNNING TO SEAL WATER SOLENOID SEE DWG 1-0179A-A205

LAST SAVE: 2018/12/13 - 4:20pm
PATH: M:\657381\4ENG\7ELE\DD - General DWG\1-0179F-E0014-001.dwg

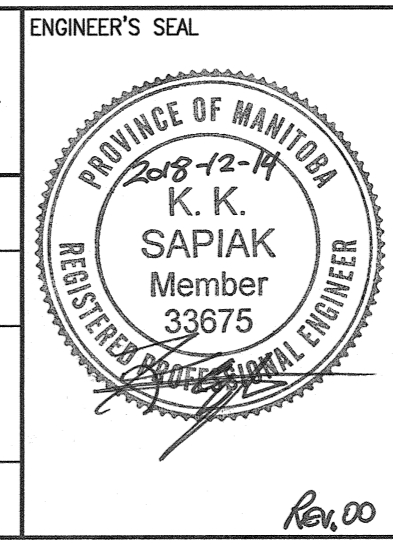
1-0179F-E0015	CONNECTION DIAGRAM MS-F01 FLOOD PUMP
1-0179F-E0003	ELECTRICAL SINGLE LINE DIAGRAM
DRAWING NUMBER	REFERENCE DRAWINGS



00	ISSUED FOR TENDER AND CONSTRUCTION	2018/12/14	KS	BC
NO.	REVISIONS	DATE	DESIGN	CHECK

SNC-LAVALIN
 148 Notaire Park Way
 Winnipeg, MB, Canada R3P 0X7
 204-786-8080

DESIGNED BY: K. SAPIAK
 CHECKED BY: B. CLEVEN
 DRAWN BY: K. SAPIAK
 APPROVED BY: B. CLEVEN
 SCALE: NTS
 ISSUED FOR CONSTRUCTION BY: K. ZUREK
 DATE: 2018/08/16
 DATE: 2018/12/14



THE CITY OF WINNIPEG
 WATER AND WASTE DEPARTMENT

ROLAND FLOOD PUMPING STATION
 2019 UPGRADES
 MOTOR STARTER SCHEMATIC
 MS-F01
 FLOOD PUMP

CITY DRAWING NUMBER: 1-0179F-E0014
 SHEET: 001
 REV: 00
 SIZE: A1