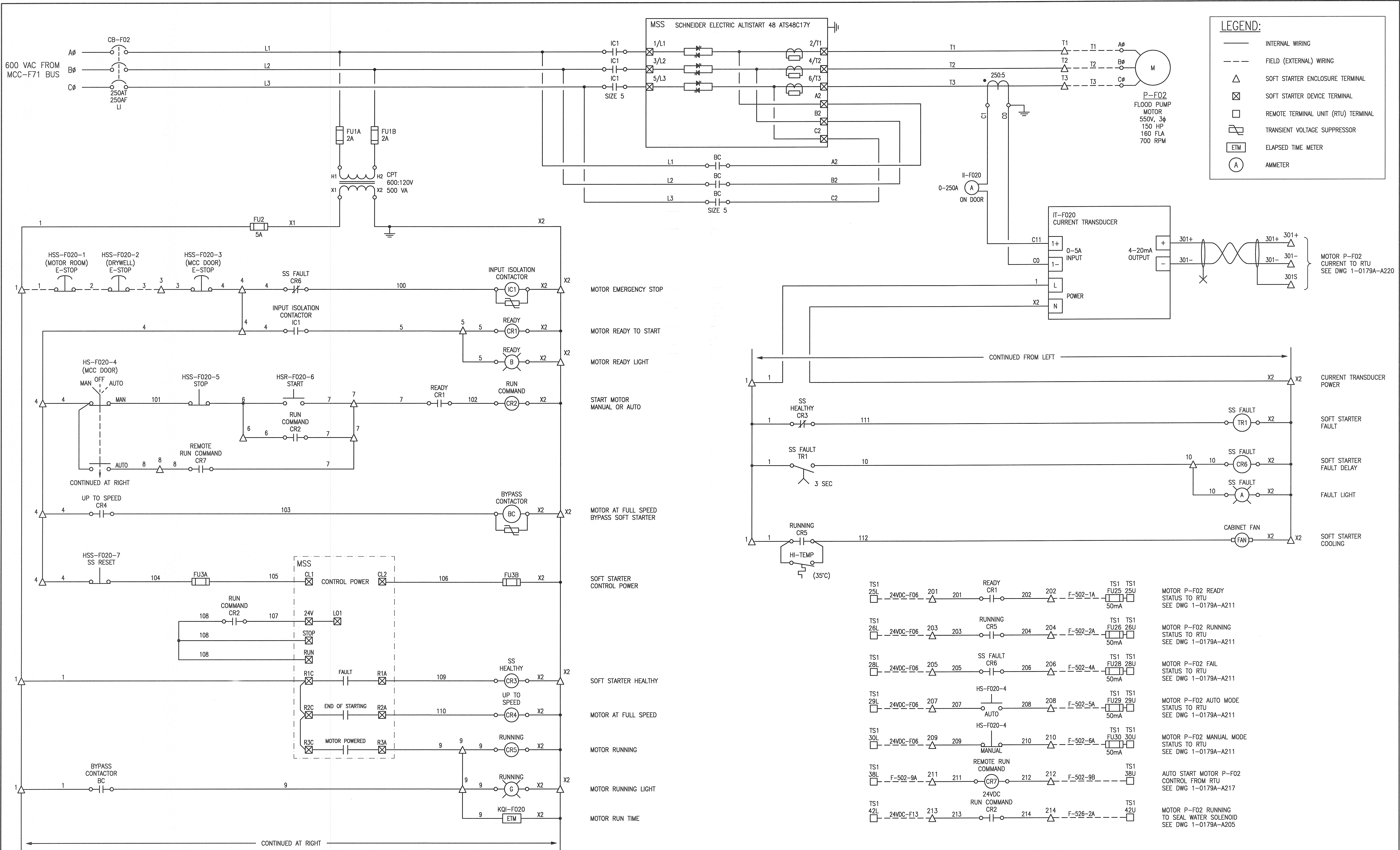


A1 SIZE - 594mm x 841mm



LEGEND:

- INTERNAL WIRING
- - - FIELD (EXTERNAL) WIRING
- △ SOFT STARTER ENCLOSURE TERMINAL
- ⊗ SOFT STARTER DEVICE TERMINAL
- REMOTE TERMINAL UNIT (RTU) TERMINAL
- ⊞ TRANSIENT VOLTAGE SUPPRESSOR
- ETM ELAPSED TIME METER
- A AMMETER

TS1 25L	24VDC-F06	201	201	READY CR1	202	202	F-502-1A	TS1 FU25 25U	50mA	MOTOR P-F02 READY STATUS TO RTU SEE DWG 1-0179A-A211
TS1 26L	24VDC-F06	203	203	RUNNING CR5	204	204	F-502-2A	TS1 FU26 26U	50mA	MOTOR P-F02 RUNNING STATUS TO RTU SEE DWG 1-0179A-A211
TS1 28L	24VDC-F06	205	205	SS FAULT CR6	206	206	F-502-4A	TS1 FU28 28U	50mA	MOTOR P-F02 FAULT STATUS TO RTU SEE DWG 1-0179A-A211
TS1 29L	24VDC-F06	207	207	HS-F020-4 AUTO	208	208	F-502-5A	TS1 FU29 29U	50mA	MOTOR P-F02 AUTO MODE STATUS TO RTU SEE DWG 1-0179A-A211
TS1 30L	24VDC-F06	209	210	HS-F020-4 MANUAL	210	210	F-502-6A	TS1 FU30 30U	50mA	MOTOR P-F02 MANUAL MODE STATUS TO RTU SEE DWG 1-0179A-A211
TS1 38L	F-502-9A	211	211	REMOTE RUN COMMAND CR7	212	212	F-502-9B	TS1 38U		AUTO START MOTOR P-F02 CONTROL FROM RTU SEE DWG 1-0179A-A217
TS1 42L	24VDC-F13	213	213	24VDC RUN COMMAND CR2	214	214	F-526-2A	TS1 42U		MOTOR P-F02 RUNNING TO SEAL WATER SOLENOID SEE DWG 1-0179A-A205

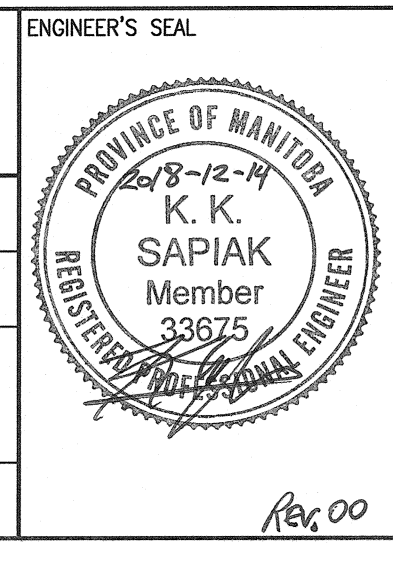
1-0179F-E0016	CONNECTION DIAGRAM MS-F02 FLOOD PUMP
1-0179F-E0003	ELECTRICAL SINGLE LINE DIAGRAM
DRAWING NUMBER	REFERENCE DRAWINGS



00	ISSUED FOR TENDER AND CONSTRUCTION	2018/12/14	KS	BC
NO.	REVISIONS	DATE	DESIGN	CHECK

SNC-LAVALIN

DESIGNED BY: K. SAPIAK
 CHECKED BY: B. CLEVEN
 DRAWN BY: K. SAPIAK
 APPROVED BY: B. CLEVEN
 SCALE: NTS
 ISSUED FOR CONSTRUCTION BY: K. ZUREK
 DATE: 2018/08/20
 DATE: 2018/12/14



THE CITY OF WINNIPEG
 WATER AND WASTE DEPARTMENT

ROLAND FLOOD PUMPING STATION
 2019 UPGRADES
 MOTOR STARTER SCHEMATIC
 MS-F02
 FLOOD PUMP

CITY DRAWING NUMBER: 1-0179F-E0016
 SHEET: 001
 REV: 00
 SIZE: A1

LAST SAVE: 2018/12/13 - 4:25pm
PATH: W:\657381\ENGIN\47ELE\UD - General\DWG\1-0179F-E0016-001.dwg

1-0179F-E0016-001.dwg