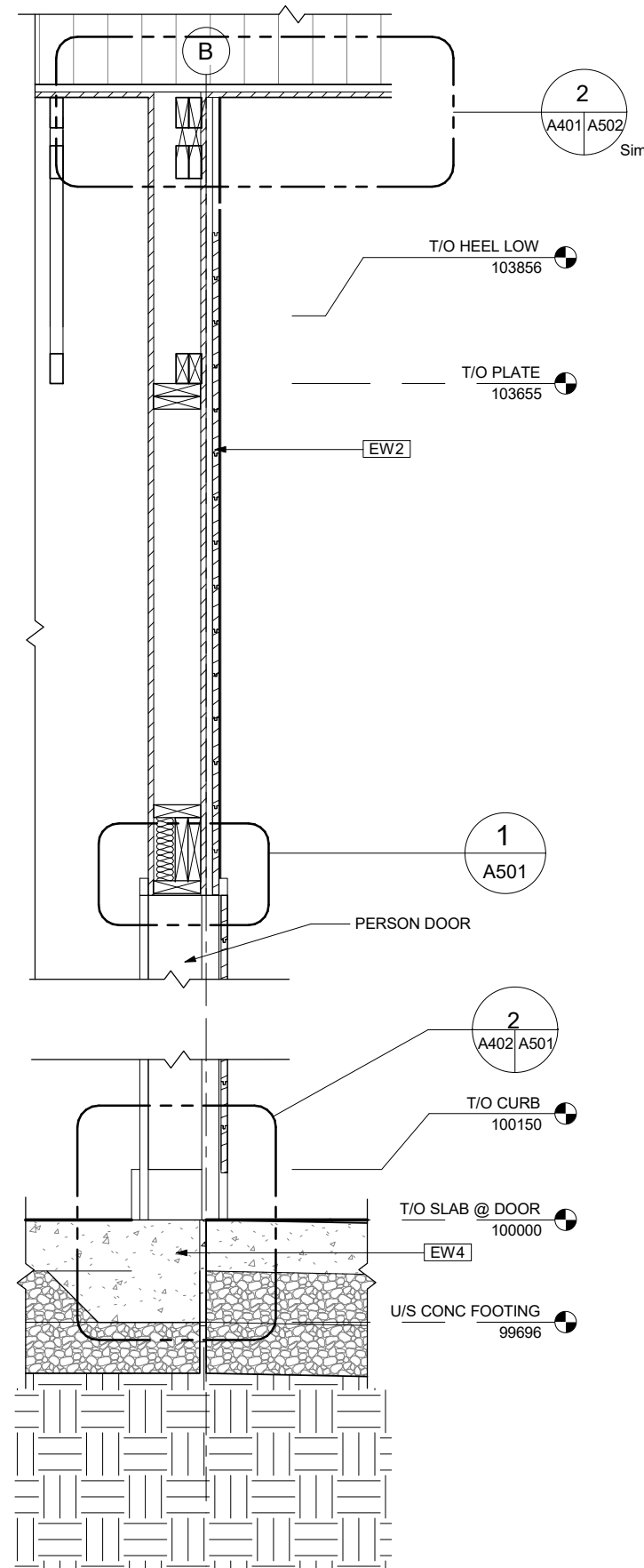
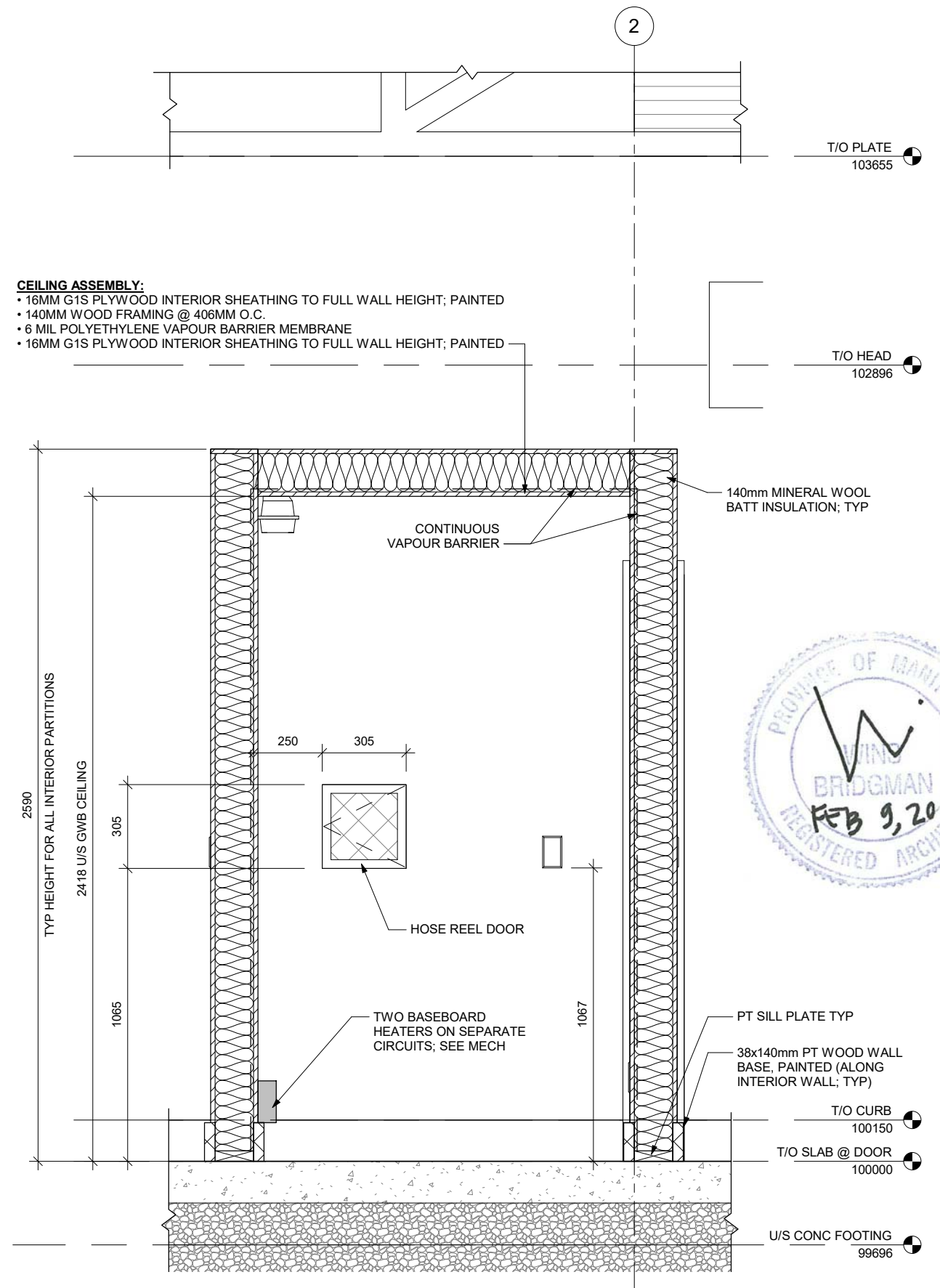


1 WALL SECTION @ O/H DOOR
1:20



2 WALL SECTION @ PERSON DOOR
1:20



3 WALL SECTION @ ELEC. ROOM
1:20

