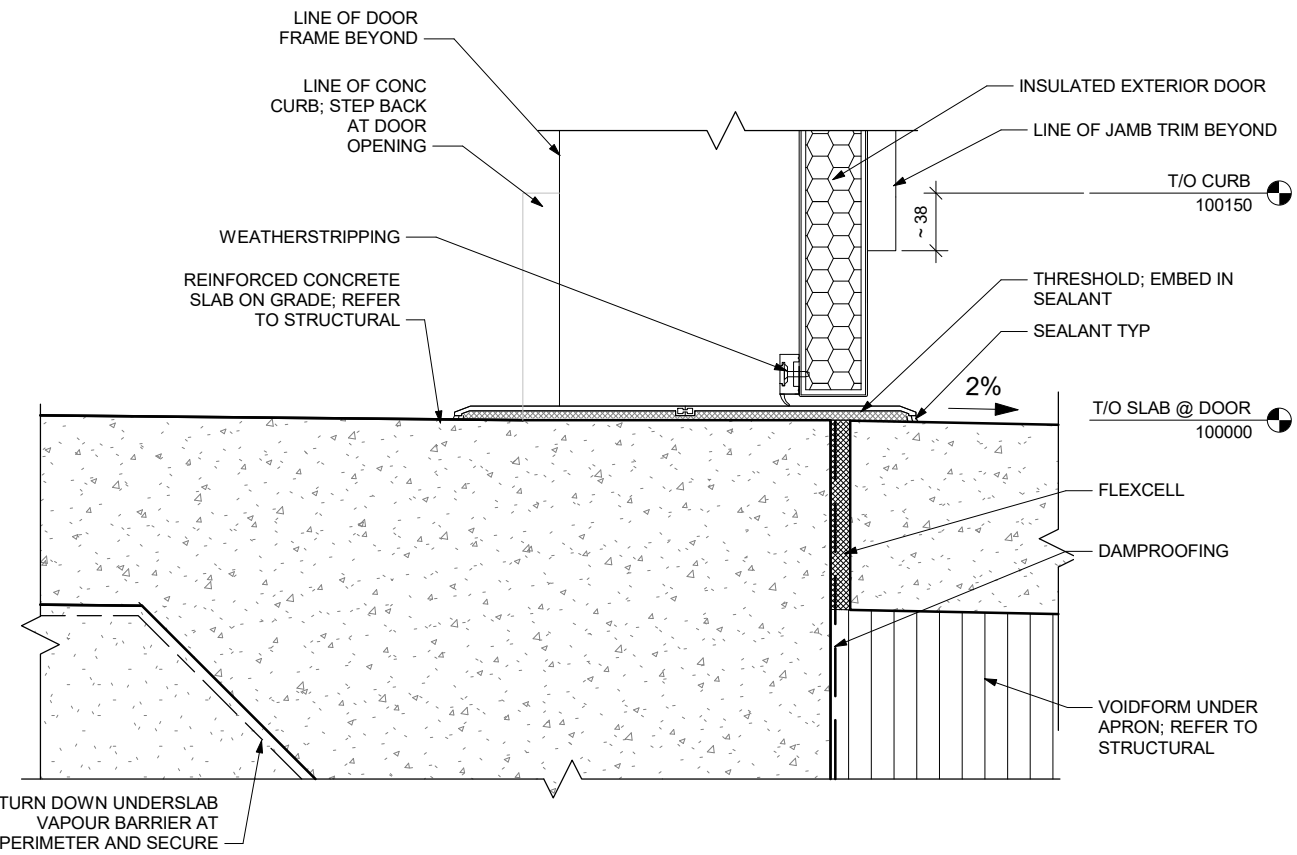
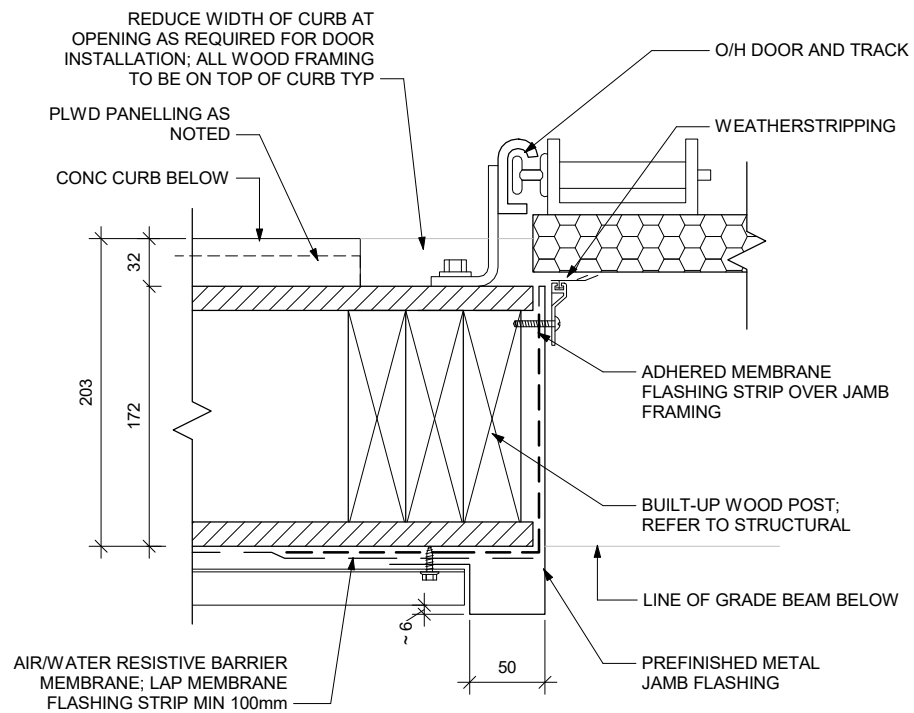
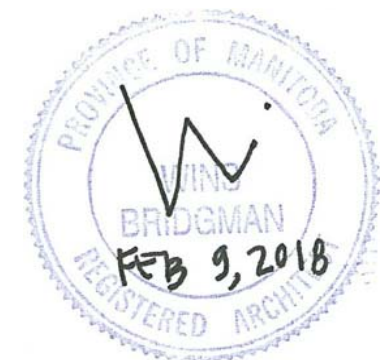


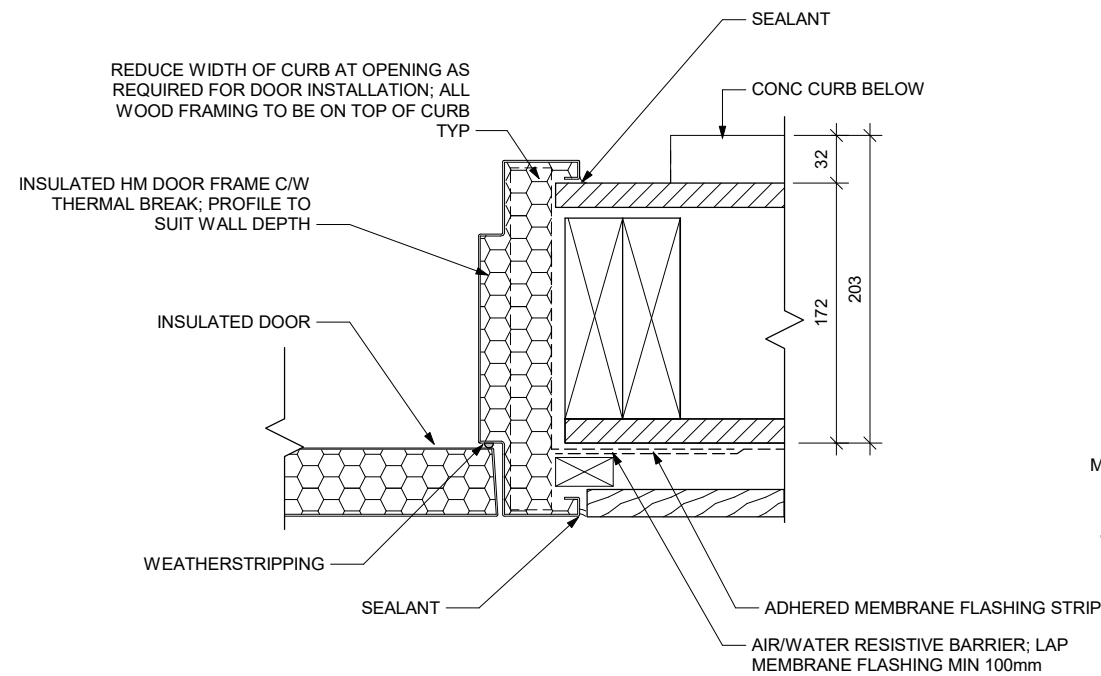
**5 SECTION DETAIL - O/H DOOR HEAD**  
1:5



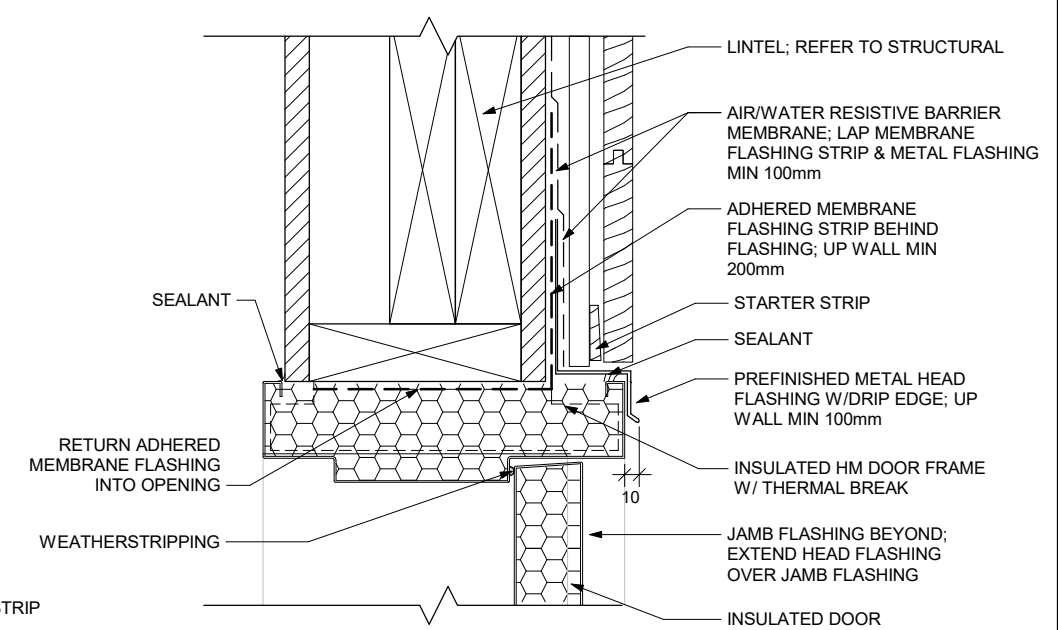
**2 SECTION DETAIL - PERSON DOOR @ APRON**  
1:5



**3 PLAN DETAIL - O/H DOOR JAMB**  
1:5



**4 PLAN DETAIL - PERSON DOOR JAMB**  
1:5



**1 SECTION DETAIL - PERSON DOOR HEAD W/ TRANSOM**  
1:5